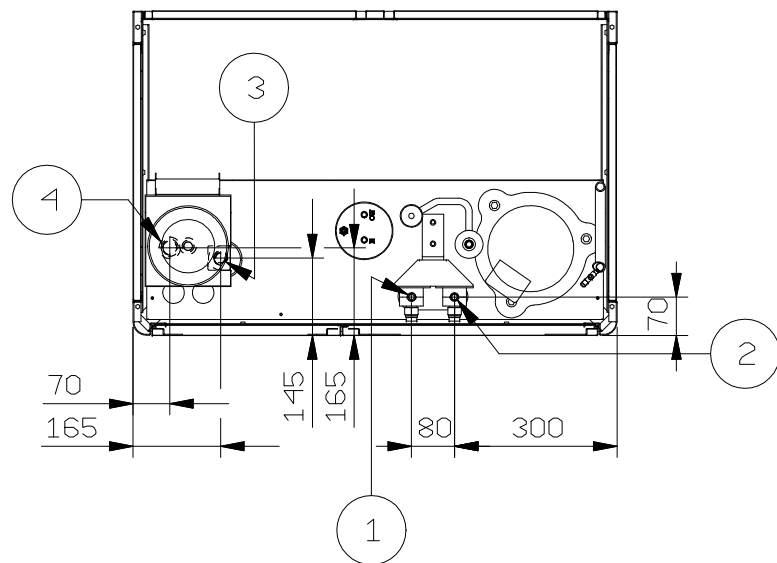
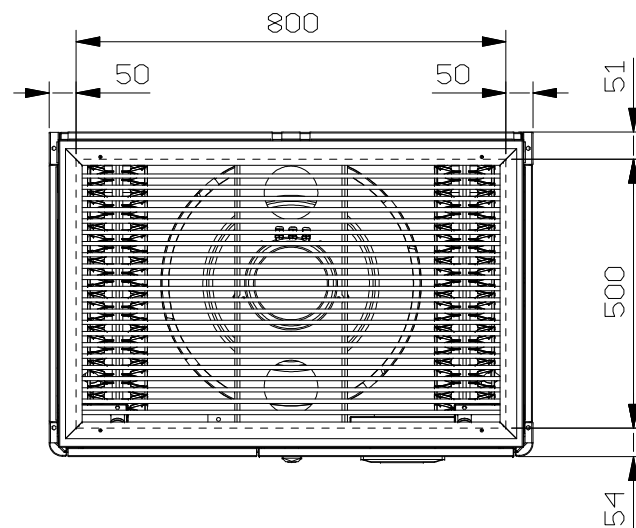


80
140
30

N° 2+2 hole $\varnothing 40$
in both sides
LIQUID INLET-
GAS OUTLET



SEZ. A - A

(1)	LIQUID LINE INLET 1" ROTALOCK $\varnothing 12$
(2)	GAS LINE OUTLET 1" ROTALOCK $\varnothing 16$
(3)	HUMIDIFIER WATER SUPPLY 3/4" GAS MALE
(4)	HUMIDIFIER WATER DRAIN $\varnothing 32$

LENNOX	Rev.	Modifica - Description	Date/e-Visto/Ckd
	Rev.	Modifica - Description	Date/e-Visto/Ckd
Descrizione - Description DIMENSIONI INGOMBRO OVERALL DIMENSIONS	Draftsman	Date - Date	Scale - Scale
	Strazzacappa	09/07/08	1:10
Codice/Disegno - Code/Drawing HF640C0486S	Modello - Model	Revisore - Reviser	Visto - Checked
	0130	A	
	Peso - Weight (kg)	Rev.	Visto - Checked
		A	