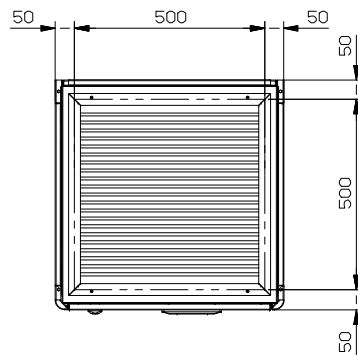
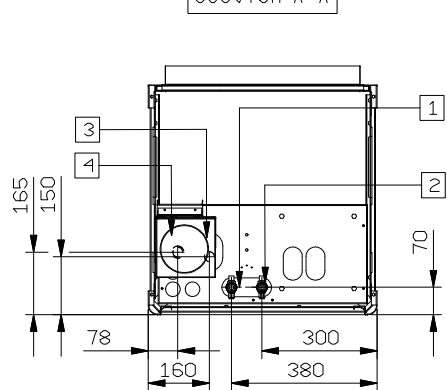


Section A-A



( 1 )	LIQUID LINE INLET_ROTALOCK 1" - Ø12
( 2 )	GAS LINE OUTLET_ROTALOCK 1" - Ø12
( 3 )	HUMIDIFIER WATER SUPPLY - 3/4" GAS MALE
( 4 )	HUMIDIFIER WATER DRAIN_Ø32mm

<b>LENNOX</b>	Rev.	Modifica - Description	Date/e-Visto/Okd
	A	Revisione attacchi IN/OUT e posizione inverter	10/9/03 NP
Drafterman	Date - Date	Scala - Scale	
Pedrotta	27/10/05	1:10	
Descrizione - Description		Serie - Series	Materiale - Material
DIMENSIONI INGOMBRO		INALUR	/
OVERALL DIMENSIONS		Modello - Model	Treatment - Treatment
		0060	/
Codice/Disegno - Code/Drawing	Peso - Weight (kg)	Rev.	Visto - Checked
HFG4000662	/	A	