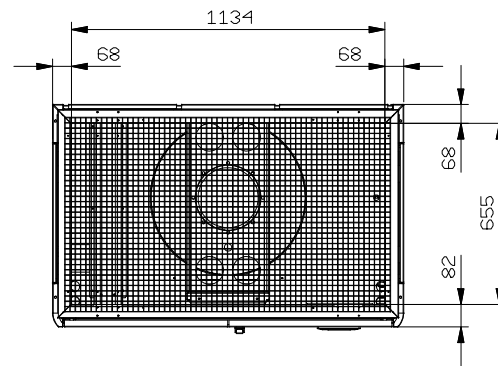
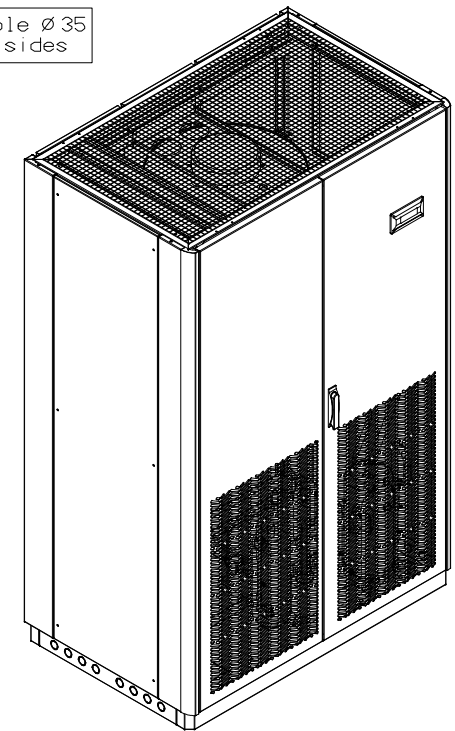
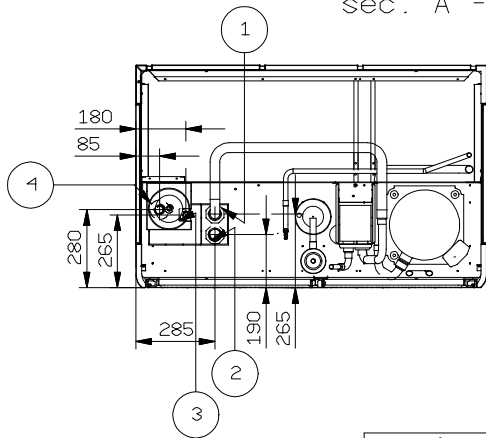


N° 8+8 hole Ø 35 in both sides



sec. A - A



( 1 )	WATER INLET CONDENSER 1"1/2 GAS MALE
( 2 )	WATER OUTLET CONDENSER 1"1/2 GAS MALE
( 3 )	HUMIDIFIER WATER SUPPLY - 3/4" GAS MALE
( 4 )	HUMIDIFIER WATER DRAIN - Ø32mm

<b>LENNOX</b>	Rev.	Modifica - Description	Date/e-Visto/Ckd	
	Rev.	Modifica - Description	Date/e-Visto/Ckd	
Descrizione - Description DIMENSIONI INGOMBRO OVERALL DIMENSIONS	Diseño Strazzacappa	Data - Date 11/11/10	Scala - Scale 1:14	
	Series - Series INAR 0281_0311	Materiale - Material /		
Modello - Model FRAME 1.5		Trattamento - Treatment /		
Codice/Diseño - Code/Drawing HF640C0657	Peso - Weight (kg) /	Rev.	Visto - Checked /	