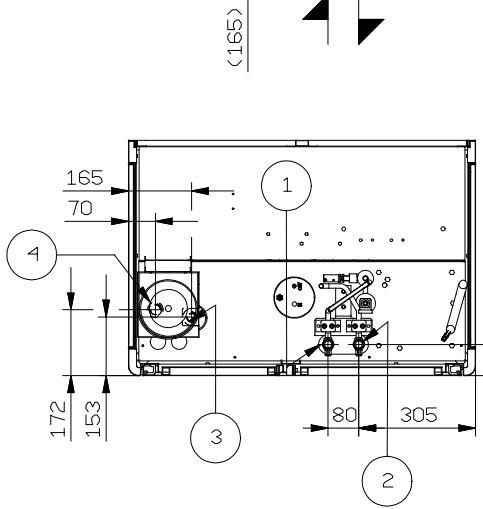
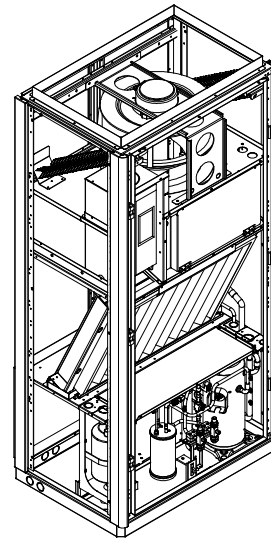


N° 2+2 hole Ø 40
in both sides
LIQUID INLET-
GAS OUTLET



(1)	LIQUID LINE INLET 1"ROTALOCK - Ø12mm ODS
(2)	GAS LINE OUTLET 1" ROTALOCK - Ø12mm ODS
(3)	HUMIDIFIER WATER SUPPLY - 3/4" GAS MALE
(4)	HUMIDIFIER WATER DRAIN - Ø32mm

LENNOX	Rev.	Modifica - Description	Date/e-Visto/Okd
	Rev.	Modifica - Description	Date/e-Visto/Okd
	B	Aggiornamento generale - nuova carpenteria	02/11/10 STR
Draftsman	Date - Date	Scale - Scale	
Strazzacappa	09/07/08	1:10	
Descrizione - Description	Serie - Series	Material - Material	
DIMENSIONI INGOMBRO OVERALL DIMENSIONS	INALUR		
	Modello - Model	Trattamento - Treatment	
	130		
Codice/Disegno - Code/Drawing	Peso - Weight (kg)	Rev.	Visto - Checked
HFG40CC486S		B	