



Serie	KIT PGD3 REMOTO
Model	-

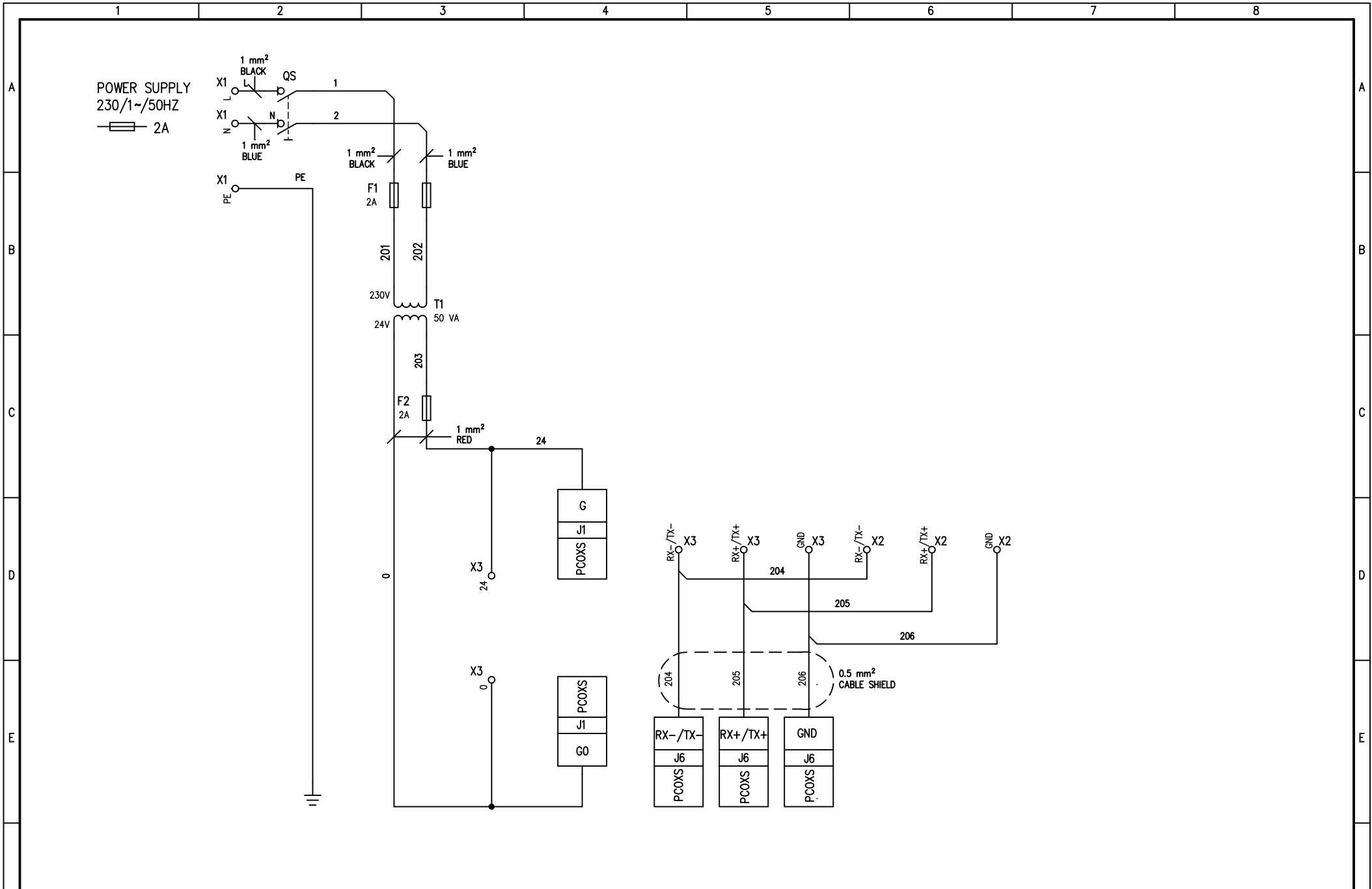
Drawing code	HF620C0658S	Controller	PC0xs
--------------	-------------	------------	-------

Power supply	230V/1~/50Hz	-
Auxiliary supply	24VAC	-

Created by	N.C.1	Revision by	N.C.1	Index	A
Date	03/04/2007	On	18/05/2007		

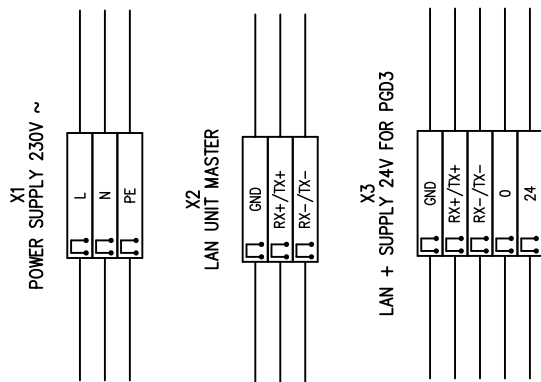
Max power (kW)	0,05
FLA (A)	0,2
RLA (A)	5

Main protection	2
-----------------	---



				DATE 03/04/2007			HF620C0658S		SHEET 2 OF 8	
				DRAW. N.C.1					CONTINUE 3	
				CHECK F.F.1						
REV.	MODIFICATIONS	DATE	SIGN.	APPR. M.M.						
1		2		3	4	5	6	7	8	

TERMINAL STRIP



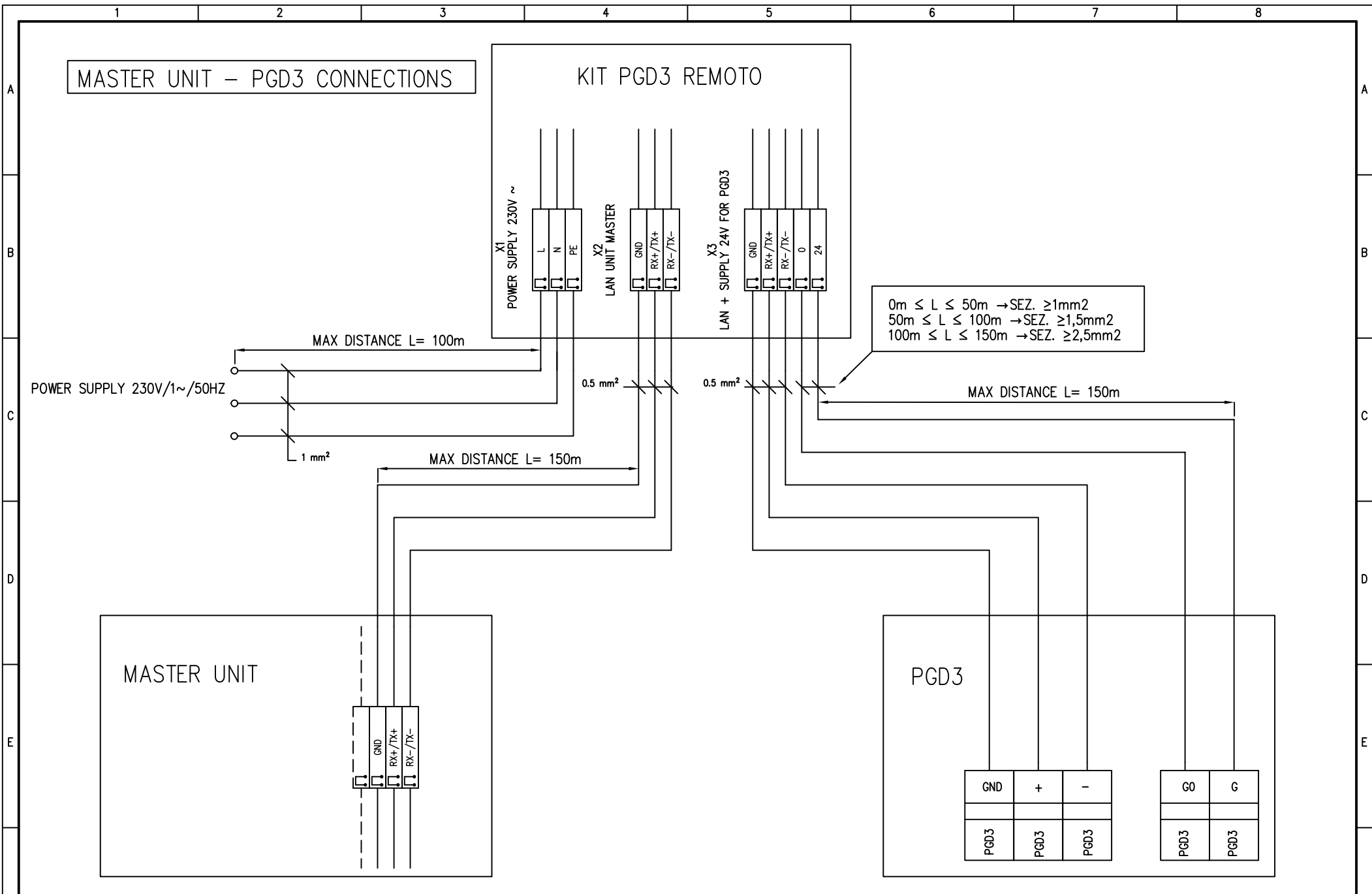
DATE 03/04/2007  
 DRAW. N.C.1  
 CHECK F.F.1  
 APPR. M.M.



HF620C0658S

SHEET 3 OF 8  
 CONTINUE 4

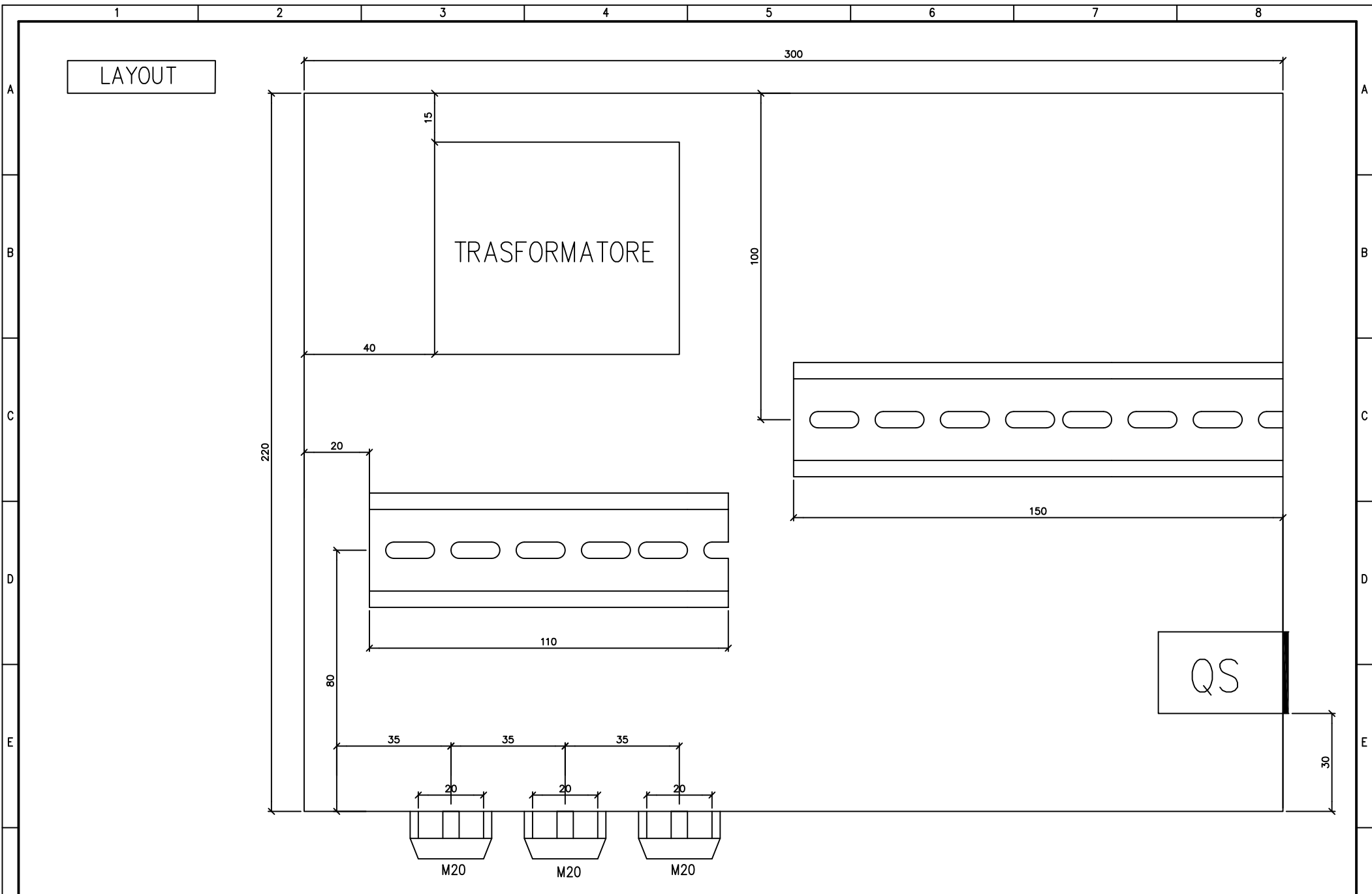
REV.	MODIFICATIONS	DATE	SIGN.	1	2	3	4	5	6	7	8
------	---------------	------	-------	---	---	---	---	---	---	---	---



REV.	MODIFICATIONS	DATE	SIGN.	DATE	03/04/2007
					DRAW. N.C.1
					CHECK F.F.1
					APPR. M.M.



HF620C0658S



LAYOUT

TRASFORMATORE

QS

M20 M20 M20



DATE 03/04/2007  
 DRAW. N.C.1  
 CHECK F.F.1  
 APPR. M.M.

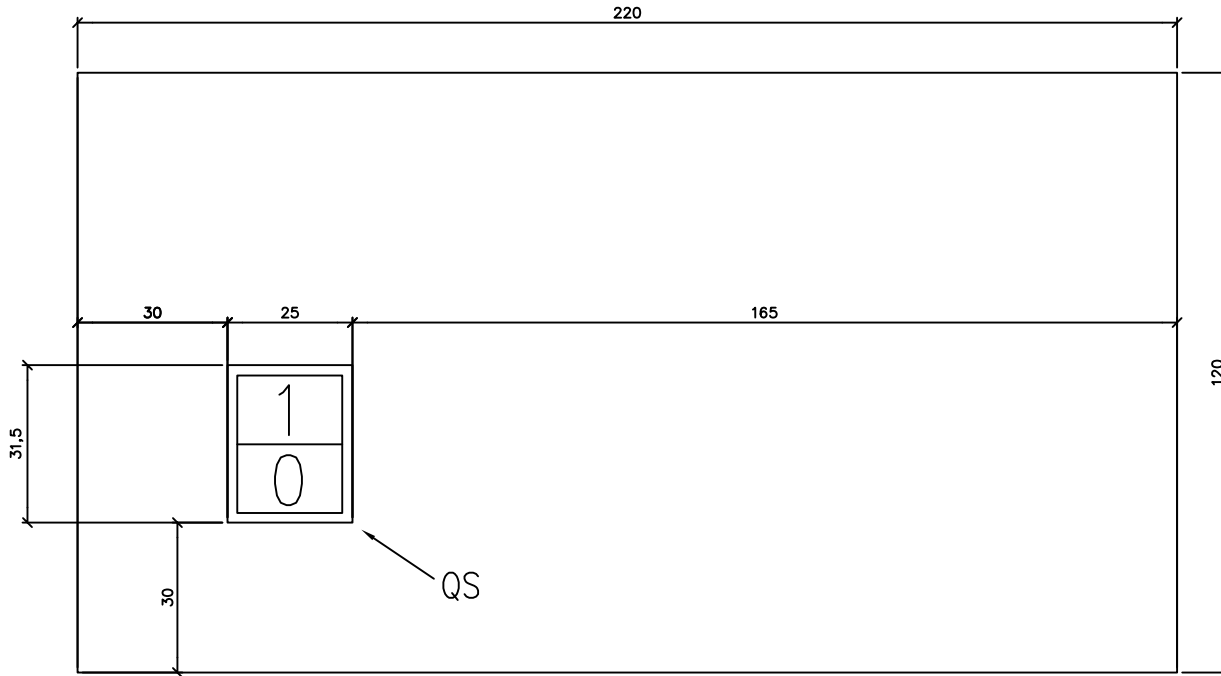
HF620C0658S

SHEET 5 OF 8  
 CONTINUE 6

REV.	MODIFICATIONS	DATE	SIGN.

1 2 3 4 5 6 7 8

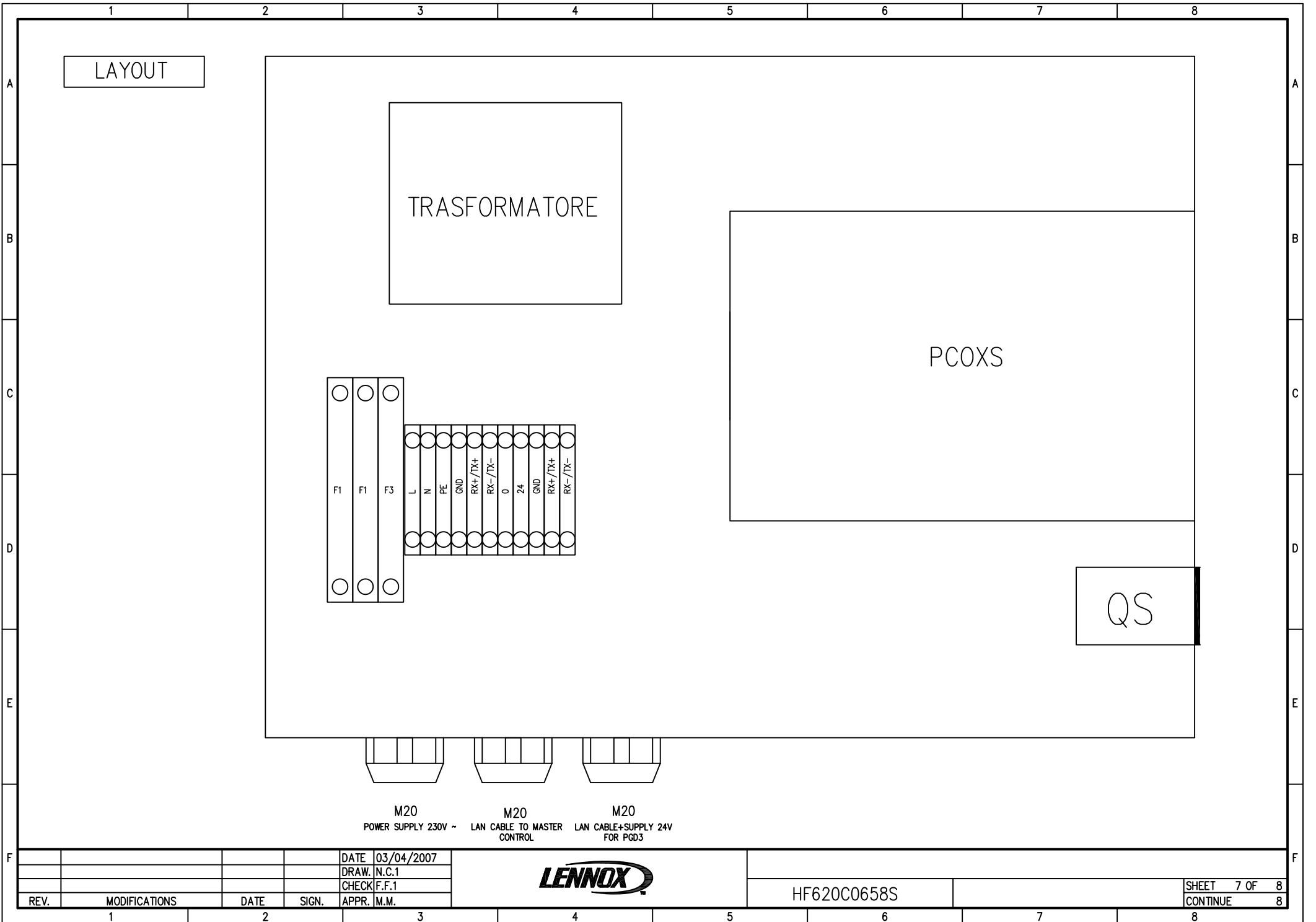
LAYOUT



REV.	MODIFICATIONS	DATE	SIGN.	DATE 03/04/2007
				DRAW. N.C.1
				CHECK F.F.1
				APPR. M.M.



HF620C0658S



REV.	MODIFICATIONS	DATE	SIGN.	APPR.	M.M.

DATE	03/04/2007
DRAW.	N.C.1
CHECK	F.F.1
APPR.	M.M.



HF620C0658S

1	2	3	4	5	6	7	8
ELEMENTO	COSTRUTTORE	CODICE	DESCRIZIONE			UM	QUANTITA'
A	GEWISS	GW44209	CASSETTA DI DERIVAZIONE 300*220*120			NR	1
	GEWISS	GW44617	PIASTRA DI FONDO			NR	1
B	RS-COMPONENTS	377-9765	INTERRUTTORE ARCOELECTRIC A BILANCERE VERDE ILLUMINATO			NR	1
	MARINI	75TM050F	TRASFORMATORE MONOFASE Vin 230V / Vout 24V 50VA			NR	1
	ITALWEBER	0102002	FUSIBILE 5*20F In= 2A			NR	2
C	ITALWEBER	0102002	FUSIBILE 5*20F In= 2A			NR	1
	ENTRELEC	0115657.25	MORSETTO PORTAFUSIBILE GRIGIO			NR	3
	ENTRELEC	0115486.03	MORSETTO DI CONNESSIONE GRIGIO			NR	10
D	ENTRELEC	0165488.27	MORSETTO DI CONNESSIONE GIALLO VERDE			NR	1
	PHOENIX	1803581	MINI CONNETTORE VERDE 3 POLI PER PCOXS CON PASSO 3,81mm			NR	1
	PHOENIX	1757019	CONNETTORE VERDE 2 POLI PER PCOXS CON PASSO 5,08mm			NR	1
E			PERSACAVO + GHIERA GRIGIO M20			NR	3
F				DATE 03/04/2007			
				DRAW. N.C.1			
				CHECK F.F.1			
REV.	MODIFICATIONS	DATE	SIGN.	APPR. M.M.	HF620C0658S		SHEET 8 OF 8
1		2		3	4	5	CONTINUE
							8



HF620C0658S

SHEET 8 OF 8

CONTINUE