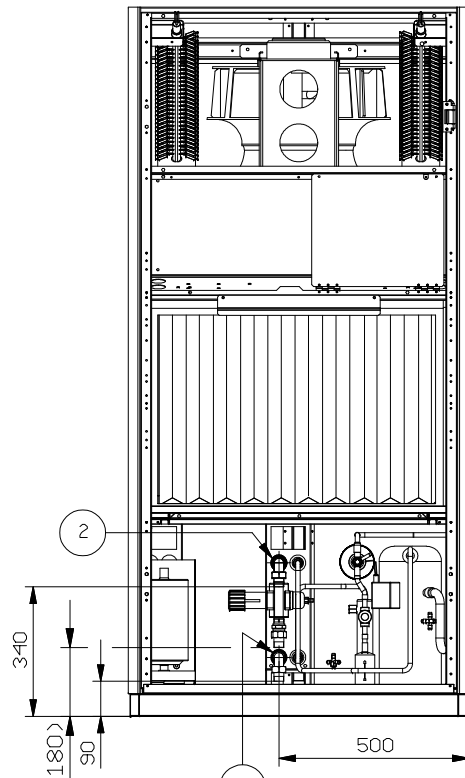
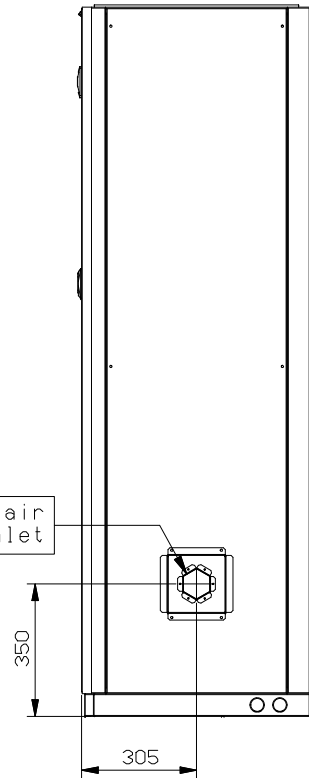
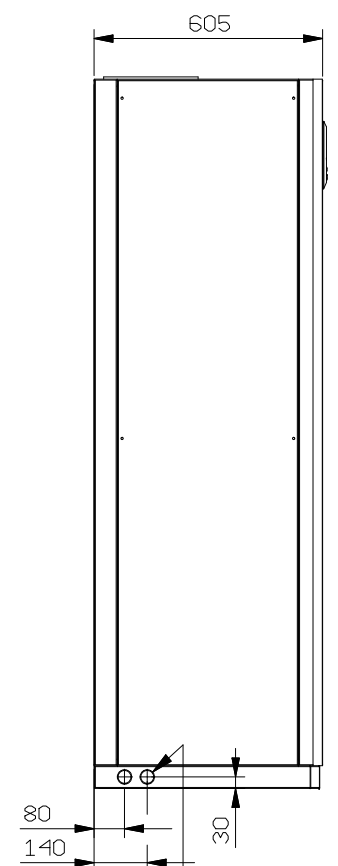
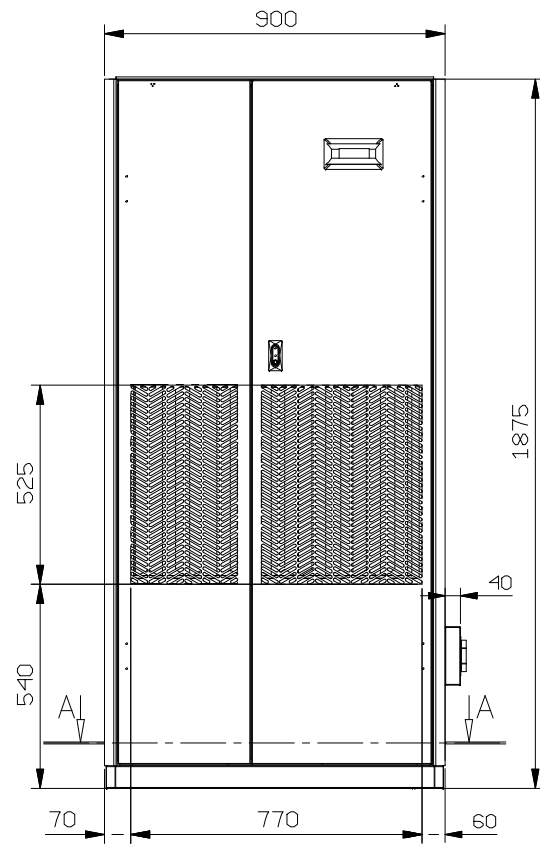


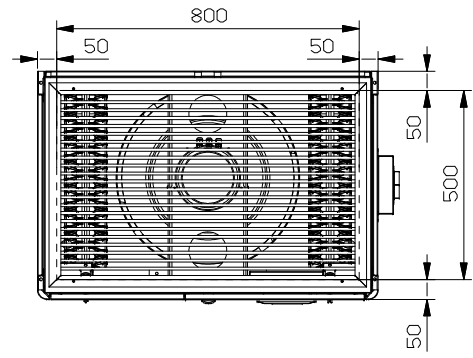
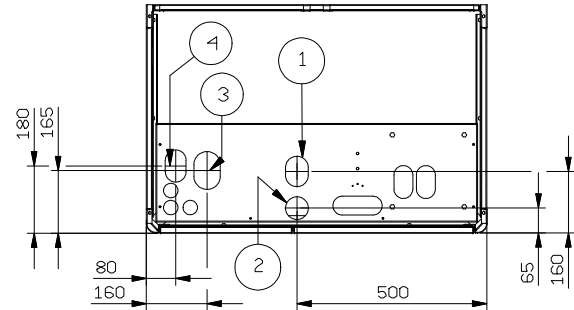
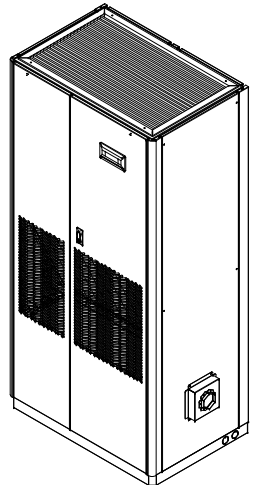
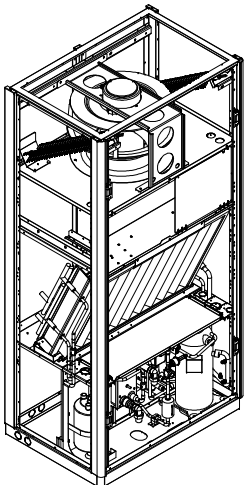
fresh air
kit inlet



Section A-A



N° 2+2
holes Ø38
in both sides



(1)	WATER INLET CONDENSER 3/4" GAS MALE
(2)	WATER OUTLET CONDENSER 3/4" GAS MALE
(3)	HUMIDIFIER WATER SUPPLY - 3/4" GAS MALE
(4)	HUMIDIFIER WATER DRAIN - Ø32mm

		Rev.	Modifica - Description	Date/e-Visto/Ckd
		Rev.	Modifica - Description	Date/e-Visto/Ckd
Draftsman Strazzacappa		Date - Date 15/10/09	Scale - Scale 1:10	
Descrizione - Description OVERALL DIMENSIONS DIMENSIONI INGOMBRO		Serie - Series DHZ/MR	Materiale - Material	
Codice/Disegno - Code/Drawing HF640C0670S		Modello - Model 0100-0205 F-2-3	Treatmento - Treatment	
		Peso - Weight (kgp)	Rev.	Visto - Checked
		/	/	