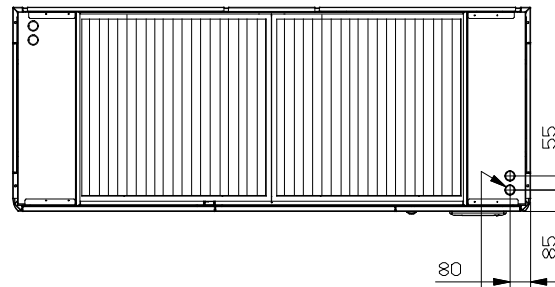
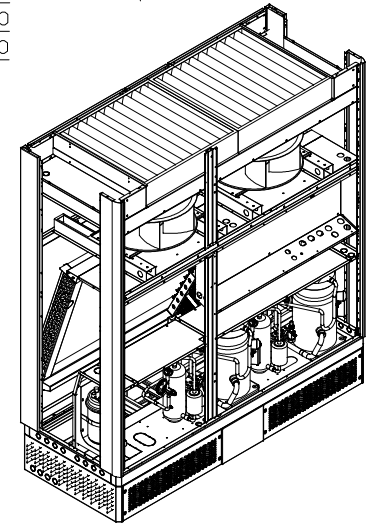


section A-A



N° 2 holes Ø 40
in top sides



(1)	COOLING WATER INLET 2" GAS MALE
(2)	COOLING WATER OUTLET 2" GAS MALE
(3)	HUMIDIFIER WATER SUPPLY 3/4" GAS MALE
(4)	HUMIDIFIER WATER DRAIN Ø32mm

	Rev. Modifica - Description	Data/e-Visto/Okd	
	Rev. Modifica - Description	Data/e-Visto/Okd	
Drafter Strazzeappa	Date - Date 19/01/11	Scale - Scale 1:15	
Descrizione - Description DIMENSION INGOMBRO OVERALL DIMENSIONS	Serie - Series DHFXR 0532.0532	Materiale - Material /	
Codice/Disegno - Code/Drawing HF640C0914	Modello - Model FRAME 2.5	Trattamento - Treatment /	
	Peso - Weight (kg) /	Rev. /	Visto - Checked