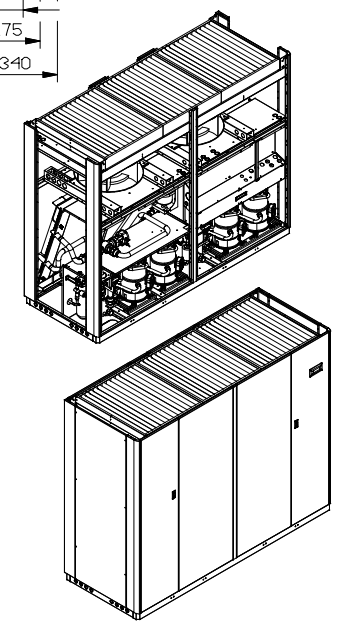
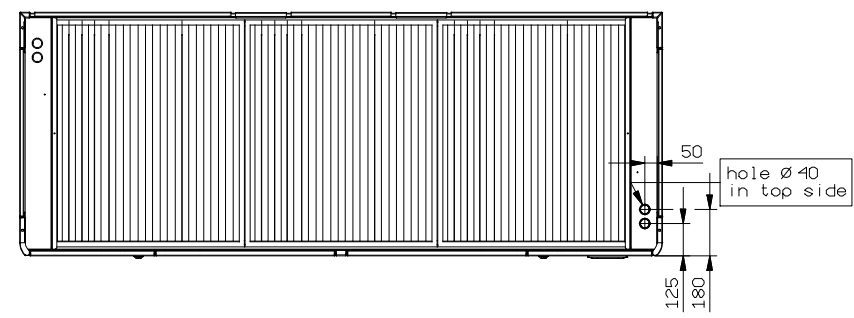
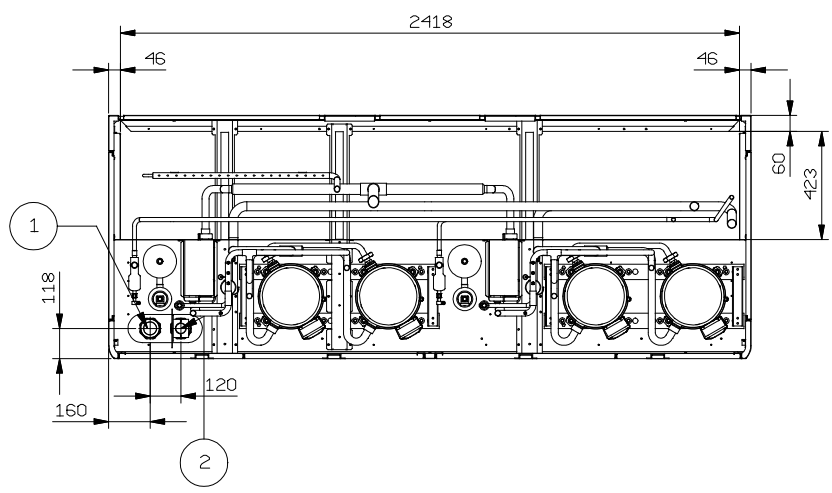


section A-A



( 1 )	COOLING WATER INLET 2" GAS MALE
( 2 )	COOLING WATER OUTLET 2" GAS MALE
	HUMIDIFIER WATER SUPPLY 3/4" GAS MALE
	HUMIDIFIER WATER DRAIN $\varnothing$ 32mm

<b>LENNOX</b>	Rev.	Modifica - Description	Date/e-Visto/Ckd
	Rev.	Modifica - Description	Date/e-Visto/Ckd
Drafter/Disegn	Strazzacappa	Date - Date	31/01/11
		Scale - Scale	/
Descrizione - Description		Series - Series	DHFR
DIMENSIONI INGOMBRO		Modello - Model	1004 frame 4
OVERALL DIMENSIONS		Treatment - Treatment	
Codice/Disegno - Code/Drawing	HF64000922S	Peso - Weight (kg)	/
		Rev.	Visto - Checked