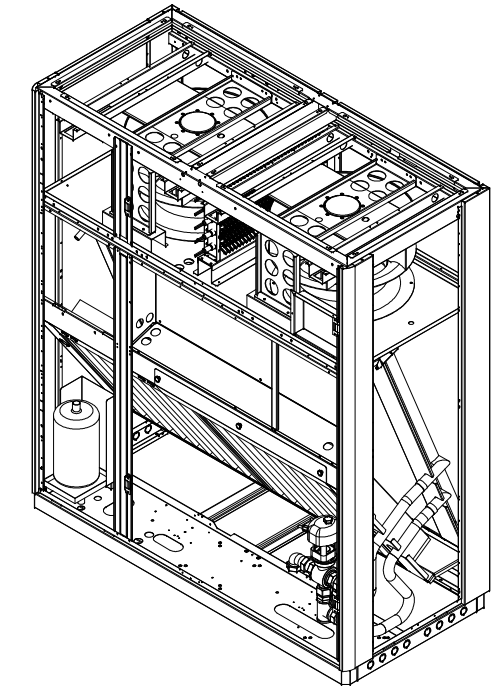
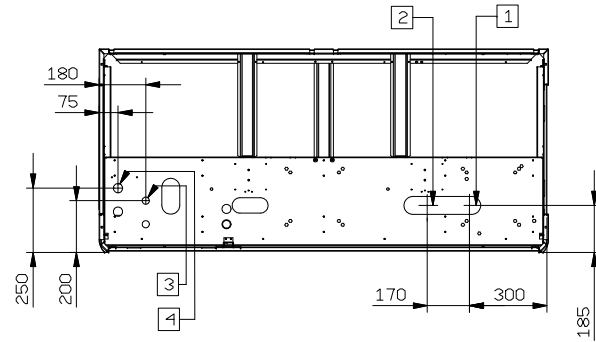
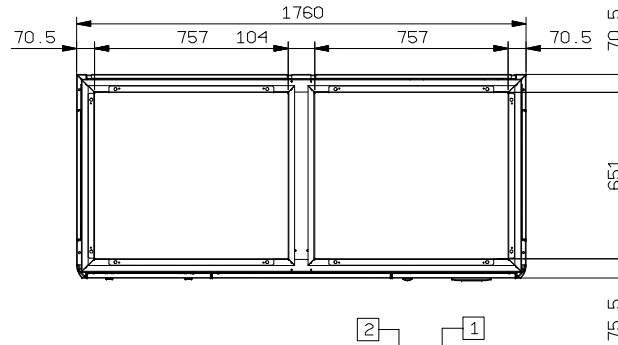
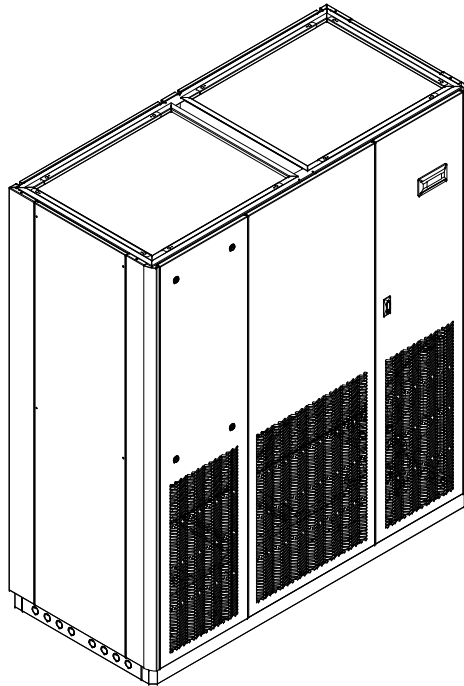
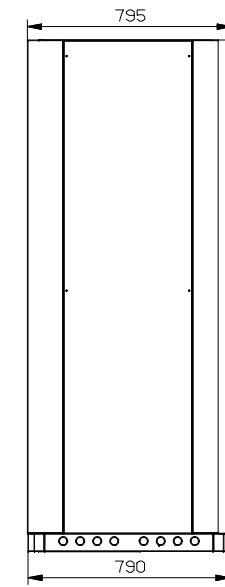
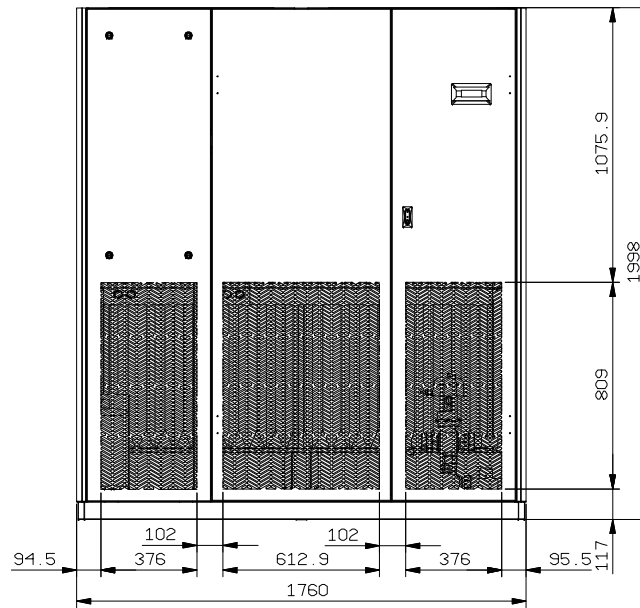


U I



(1)	COOLING WATER INLET 1"1/2 GAS FEMALE
(2)	COOLING WATER OUTLET 1"1/2 GAS FEMALE
(3)	HUMIDIFIER WATER SUPPLY
(4)	HUMIDIFIER WATER DRAIN

LENNOX	Rev. Modifica - Description	Data - Date		Date/e-Visto/Okd
	Rev. Modifica - Description	Date - Date		Date/e-Visto/Okd
Drafterman Pedrotta		25/01/05	Scale - Scale 1:15	
Descrizione - Description DIMENSIONI INGOMBRO OVERALL DIMENSIONS		Series - Series DHOUR	Materiale - Material	
Codice/Disegno - Code/Drawing HF640C0127		Modello - Model 0400-0750	Treatment - Treatment	
		Peso - Weight (kg) /	Rev.	Visto - Checked