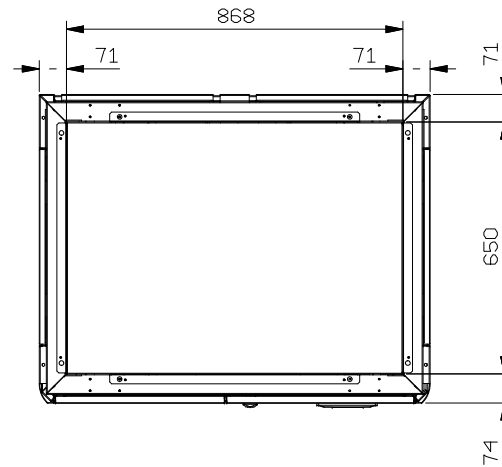
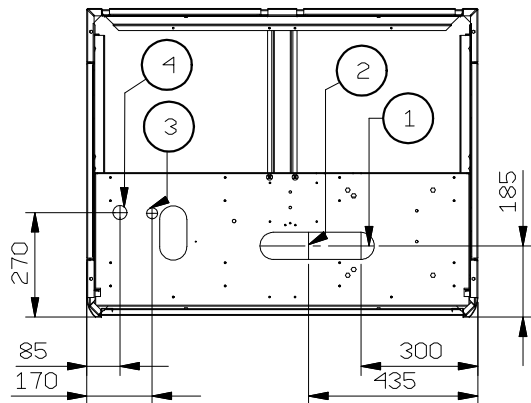


section A-A



- ( 1 ) COOLING WATER INLET 1"1/4 GAS FEMALE
- ( 2 ) COOLING WATER OUTLET 1"1/4 GAS FEMALE
- ( 3 ) HUMIDIFIER WATER SUPPLY
- ( 4 ) HUMIDIFIER WATER DRAIN

<b>LENNOX</b>	Rev.	Modifica - Description	Date/e-Visto/Ckd
	Rev.	Modifica - Description	Date/e-Visto/Ckd
	Draftman	Date - Date	Scale - Scale
	Strazacappa	04/02/05	1:10
Descrizione - Description	Serie - Series	Materiale - Material	
DIMENSIONI INGOMBRO OVERALL DIMENSIONS	DH-CUR	Trattamento - Treatment	
Codice/Disegno - Code/Drawing	Modello - Model	Peso - Weight (kg)	Rev. / Visto - Checked
HF64000136	0300-0380	/	/