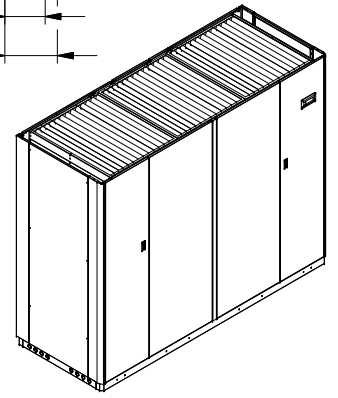
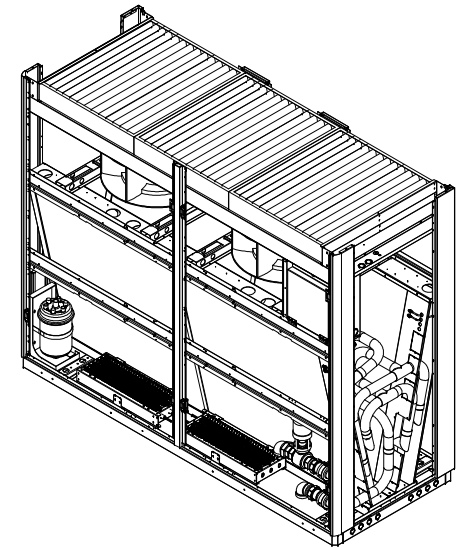
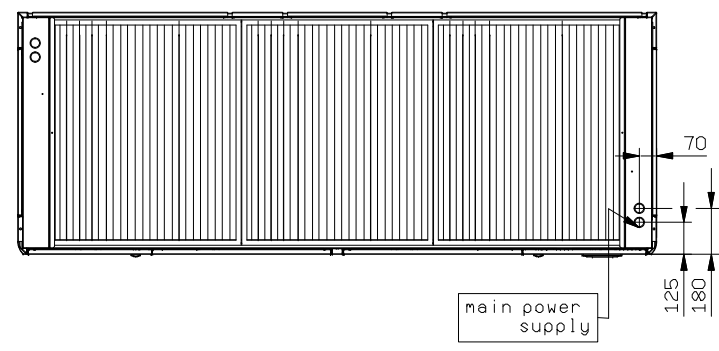


2 section A-A



(1)	COOLING WATER INLET 2" GAS FEMALE
(2)	COOLING WATER OUTLET 2" GAS FEMALE
(3)	HUMIDIFIER WATER SUPPLY - 3/4" GAS MALE
(4)	HUMIDIFIER WATER DRAIN - Ø32mm

LENNOX	Rev.	Modifica - Description	Date/e-Visto/Ckd
	Rev.	Modifica - Description	Date/e-Visto/Ckd
Disegnato - Description DIMENSIONI INGOMBRO OVERALL DIMENSIONS	Direttrice Strazzacappa	Data - Date 12/11/08	Scala - Scale 1:15
Codice/Disegno - Code/Drawing HF640C0526S	Serie - Series DHDDR	Modello - Model 1800	Materiale - Material Trattamento - Treatment
	Peso - Weight (kg)	Rev.	Visto - Checked