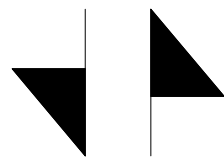
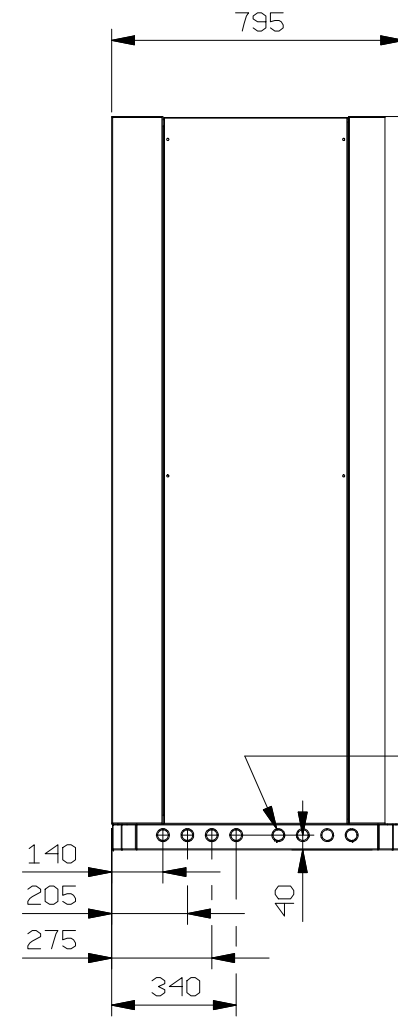
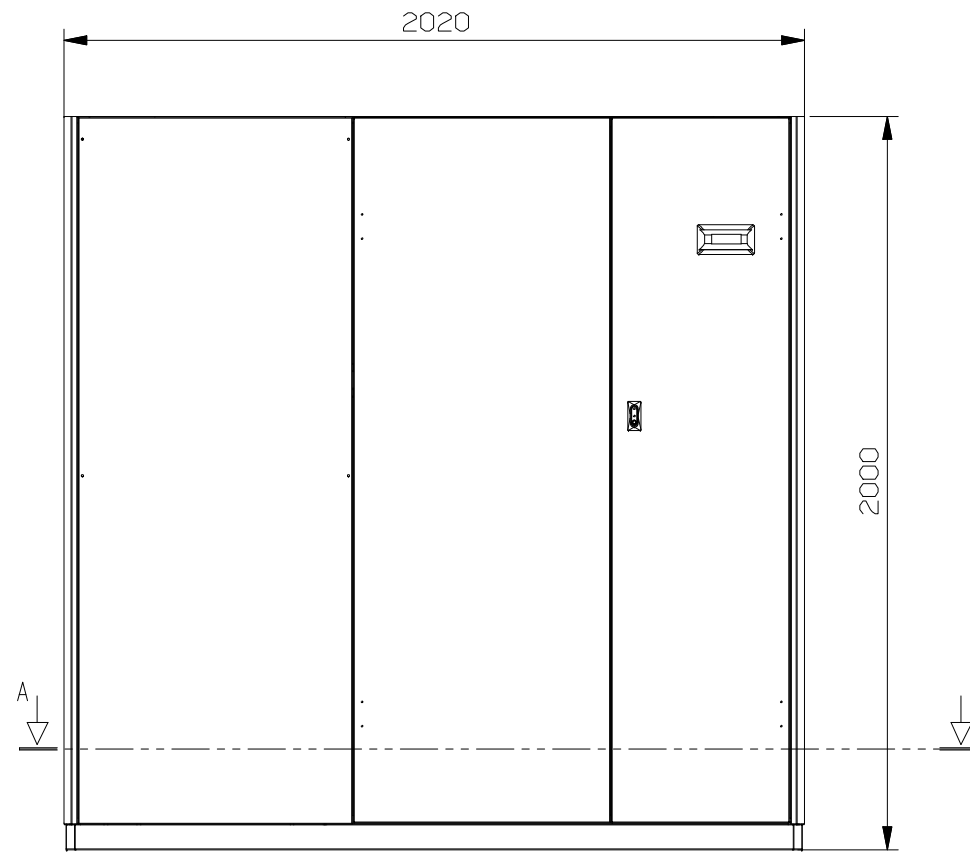


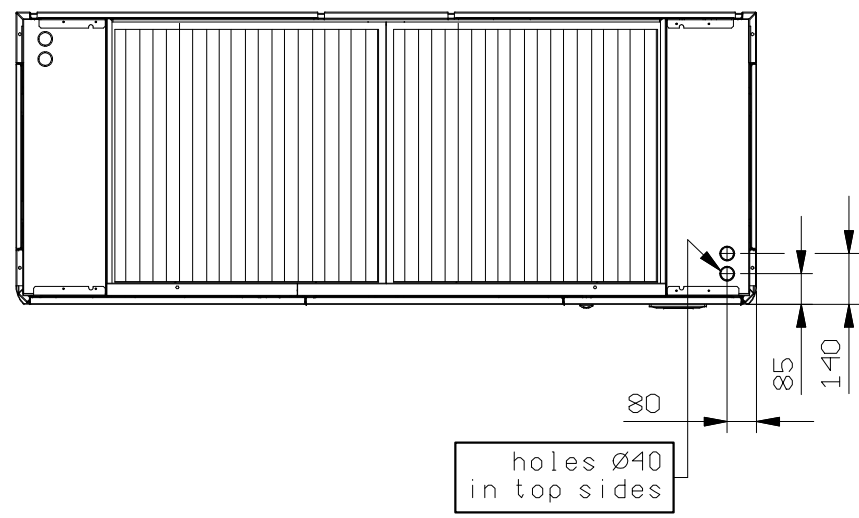
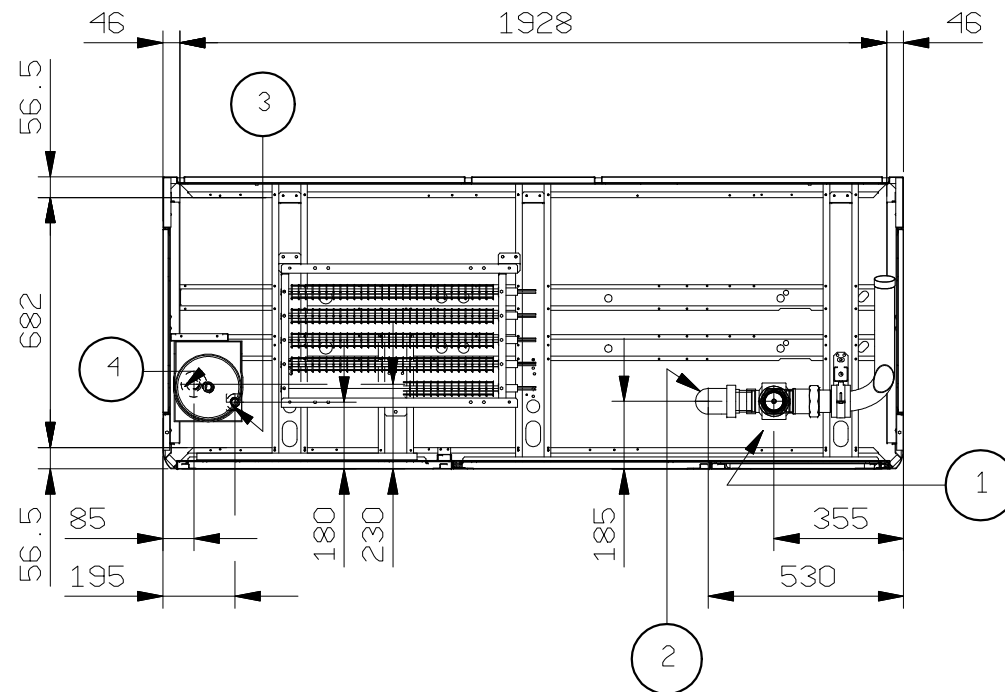
280
80



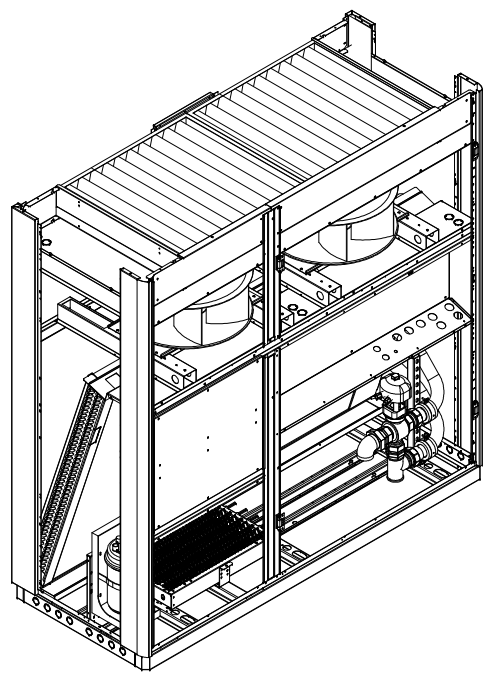
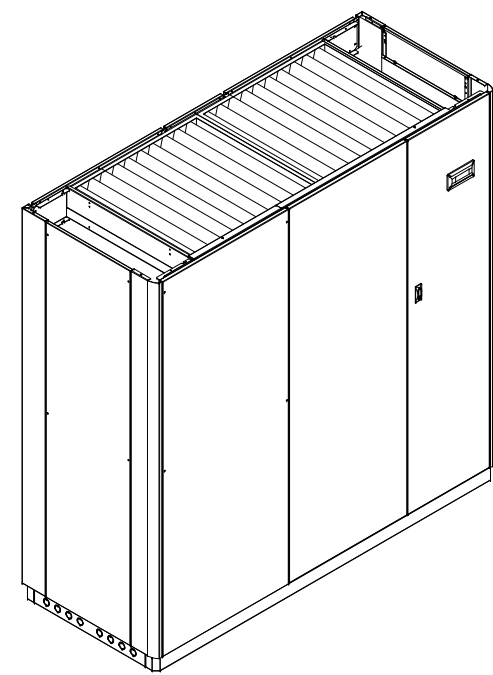
section A-A



holes Ø35
in both sides



holes Ø40
in top sides



(1)	COOLING WATER INLET 2"GAS FEMALE
(2)	COOLING WATER OUTLET 2"GAS FEMALE
(3)	HUMIDIFIER WATER SUPPLY - 3/4" GAS MALE
(4)	HUMIDIFIER WATER DRAIN - Ø32mm

LENNOX	Rev.	Modifica - Description	Date - Date	Scale - Scale	Date/e-Visto/Ckd
	A	Aggiornamento generale	15/05/08	1:15	15/10/09 STR
Descrizione - Description		Serie - Series	Materiale - Material		
DIMENSION INGOMBRO		DHCDR0890	/		
OVERALL DIMENSIONS		Modello - Model	Trattamento - Treatment		
/		frame 2.5	/		
Codice/Disegno - Code/Drawing	Peso - Weight (kg)	Rev.	Visto - Checked		
HF640C0449S	/	A			