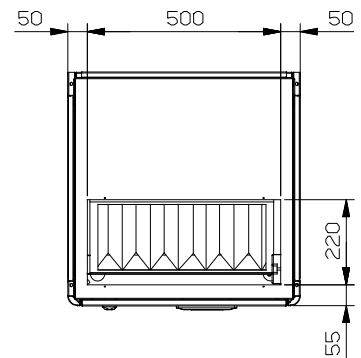
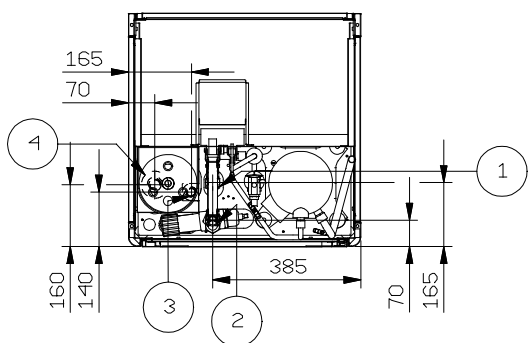


section A-A



(1)	WATER INLET CONDENSER - 3/4" GAS MALE
(2)	WATER OUTLET CONDENSER - 3/4" GAS MALE
(3)	HUMIDIFIER WATER SUPPLY 3/4" GAS MALE
(4)	HUMIDIFIER WATER DRAIN Ø32

LENNOX	Rev. Modifica - Description	Data/e-Visto/Ckd	
	Rev. Modifica - Description	Data/e-Visto/Ckd	
Drafter/Disegnatore Strazzacappa	Date - Date 28/08/09	Scala - Scale 1:10	- [Symbol]
Descrizione - Description DIMENSIONI INGOMBRO OVERALL DIMENSIONS	Serie - Series DHZR-DXDR	Materiale - Material	
Codice/Disegno - Code/Drawing HF640C0639	Modello - Model 0060-0080	Trattamento - Treatment	
	Peso - Weight (kg)	Rev. /	Visto - Checked