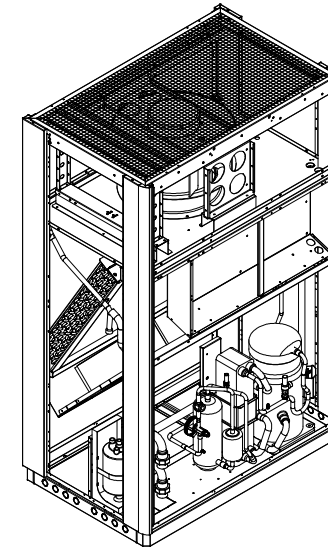
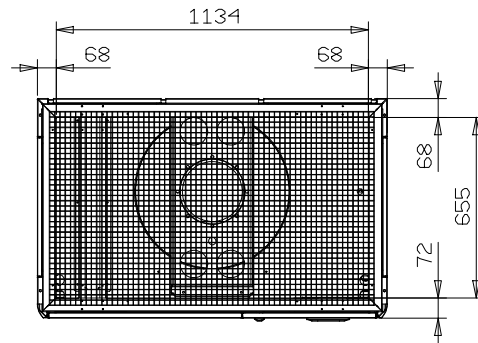
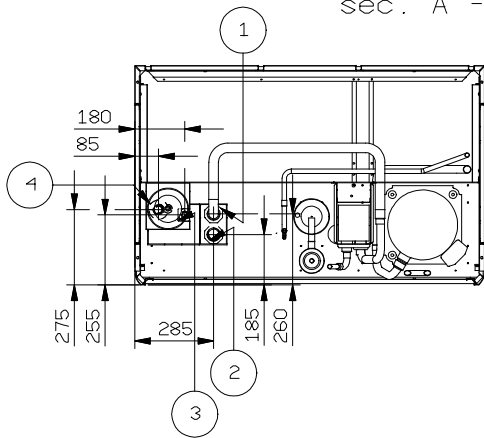
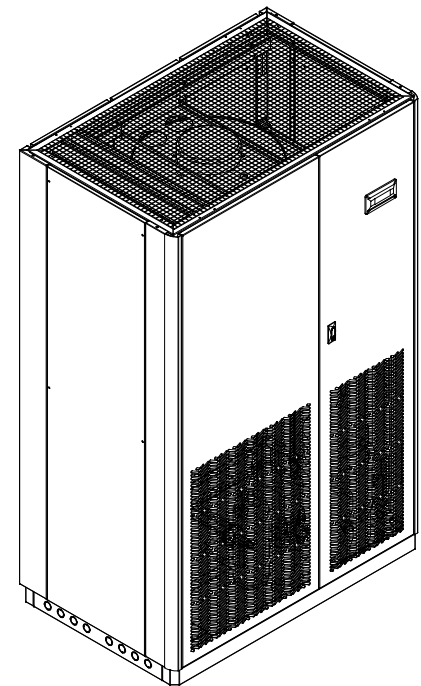
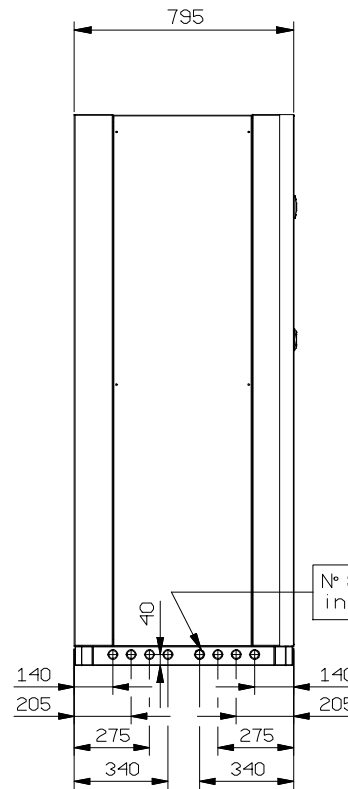
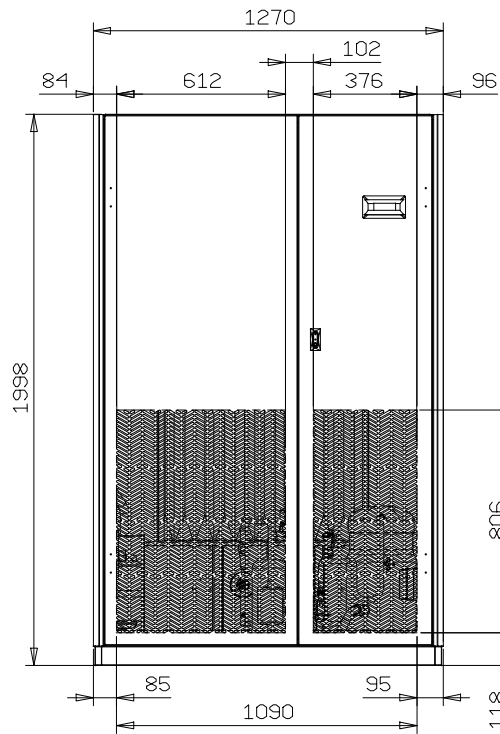


sec. A - A



(1)	WATER INLET CONDENSER 1"1/2 GAS MALE
(2)	WATER OUTLET CONDENSER 1"1/2 GAS MALE
(3)	HUMIDIFIER WATER SUPPLY - 3/4" GAS MALE
(4)	HUMIDIFIER WATER DRAIN - Ø32mm

LENNOX	Rev.	Modifica - Description		Date/e-Visto/Ckd
	Rev.	Modifica - Description		Date/e-Visto/Ckd
	A	Aggiornata tavola		29/10/10 STR
Disegnata	Pedrotta	Date - Date	25/01/08	Scala - Scale
				1:14
Descrizione - Description		Serie - Series	Materiale - Material	
DIMENSIONI INGOMBRO		DHW_ZLR_0281_0311	/	
OVERALL DIMENSIONS		Modello - Model	Trattamento - Treatment	
		FRAME 1.5	/	
Codice/Disegno - Code/Drawing	HF640CC401	Peso - Weight (kg)	Rev.	Visto - Checked
		/	A	