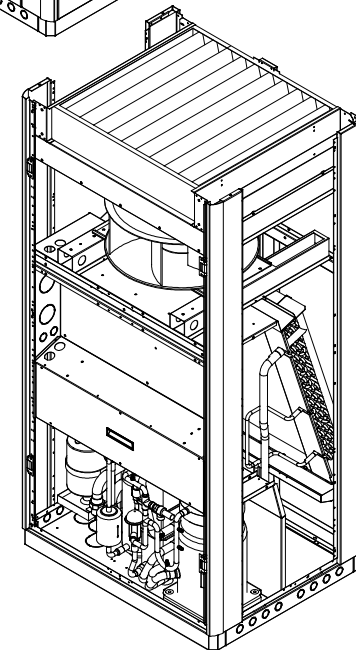
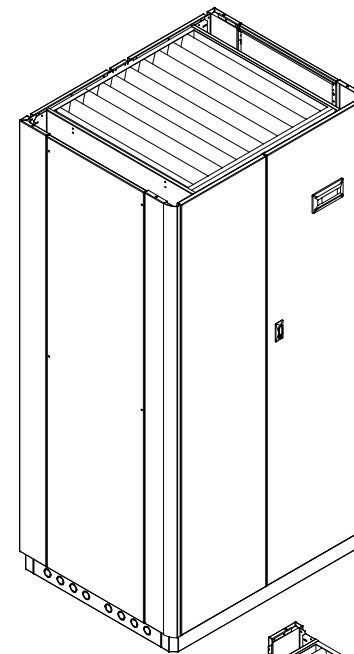
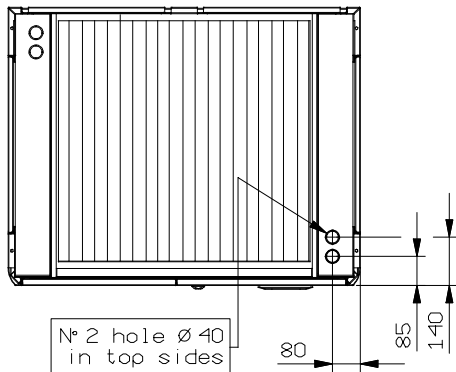
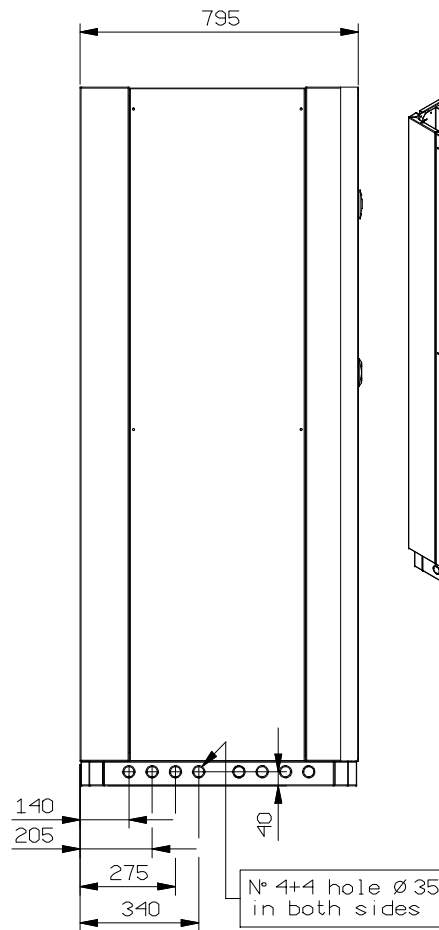
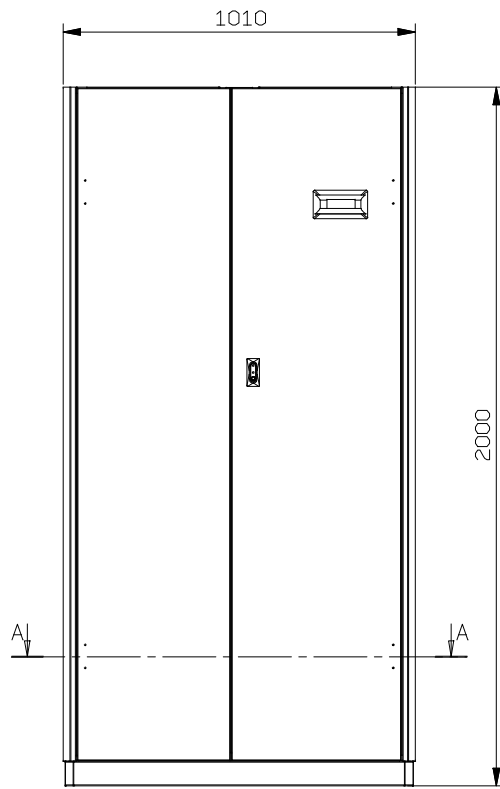
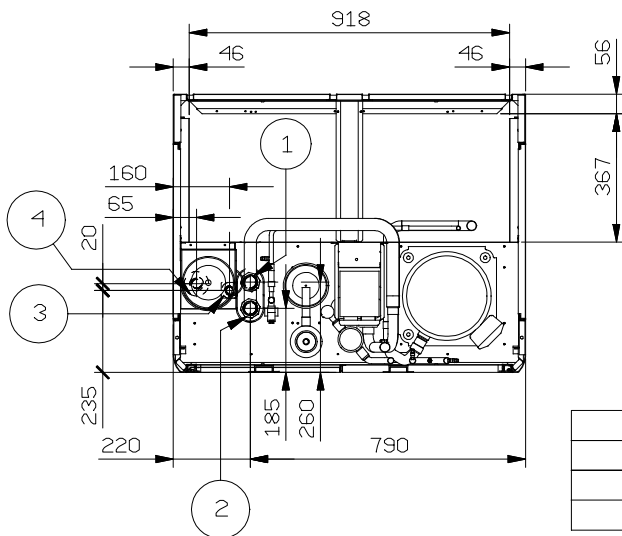


section A-A



( 1 )	WATER INLET CONDENSER 1"1/4 GAS MALE
( 2 )	WATER OUTLET CONDENSER 1"1/4 GAS MALE
( 3 )	HUMIDIFIER WATER SUPPLY 3/4" GAS MALE
( 4 )	HUMIDIFIER WATER DRAIN Ø32mm

<b>LENNOX</b>	Rev. B	Modifica - Description	Date/e-Visto/Ckd
		Aggiornamento generale	07/07/09 STR
	Rev. A	Modifica - Description	Date/e-Visto/Ckd
		Aggiornate connessioni umidificatore	30/07/08 NP
Draftman	Date - Date	Scale - Scale	
Strazzacappa	22/12/04	1:11	
Descrizione - Description	Series - Series	Material - Material	
DIMENSIONI INGOMBRO OVERALL DIMENSIONS	DHWDR		Treatment - Treatment
	Modello - Model		
	0201_0251 F1		
Codice/Disegno - Code/Drawing	Peso - Weight (kg)	Rev.	Visto - Checked
HF64000117		B	