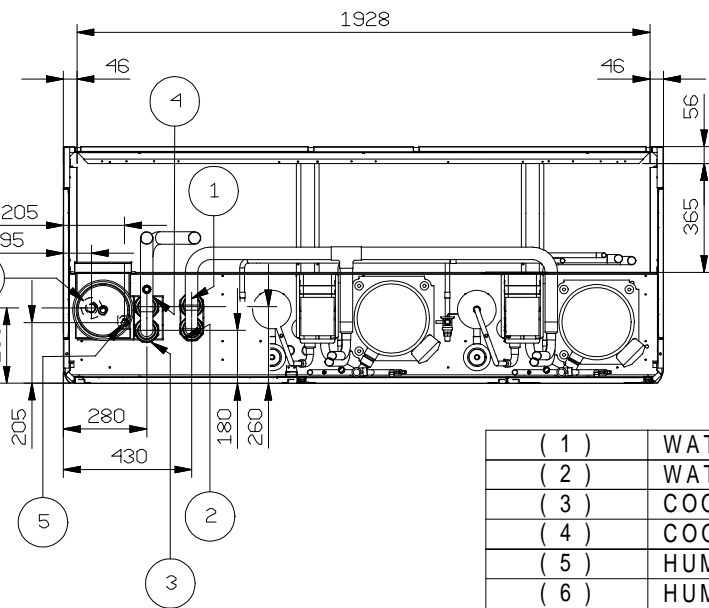
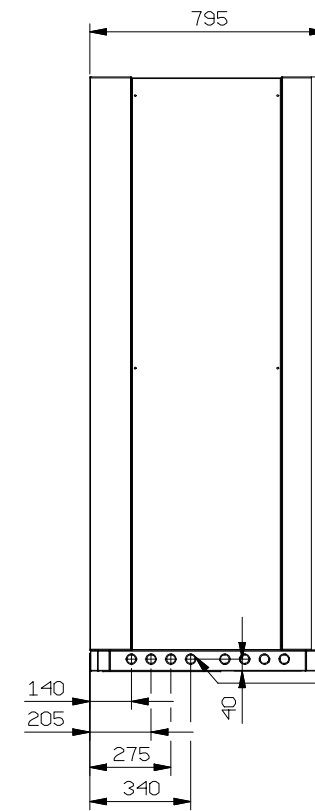
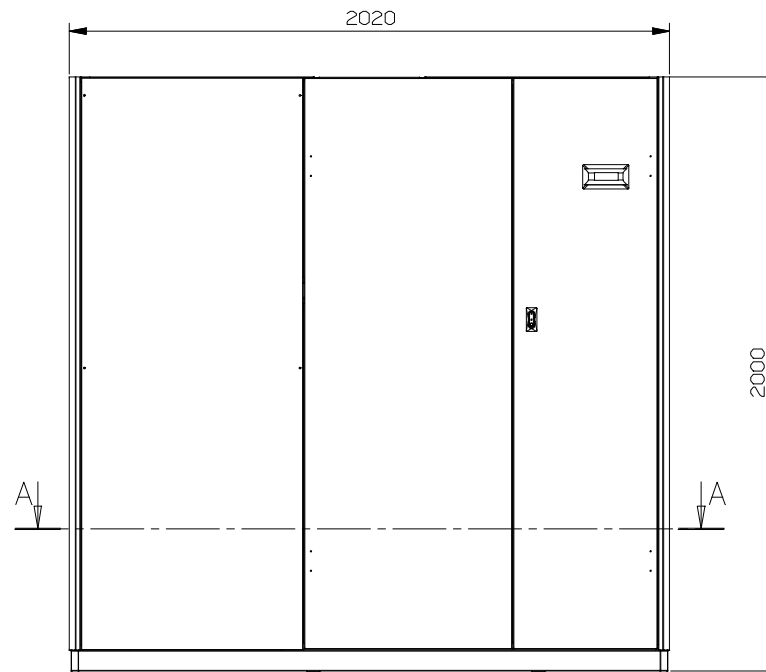


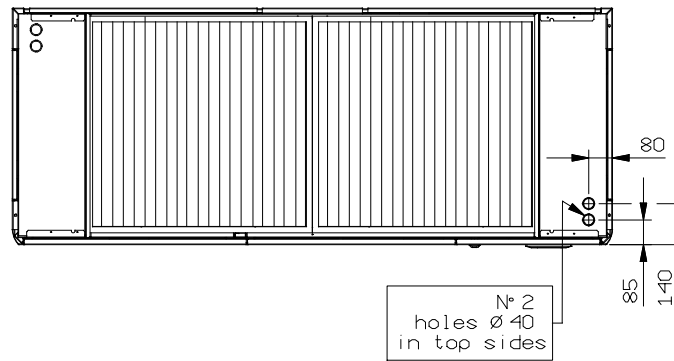
section A-A



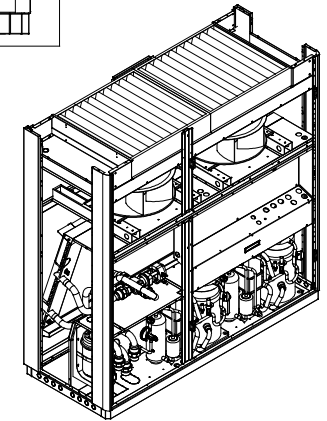
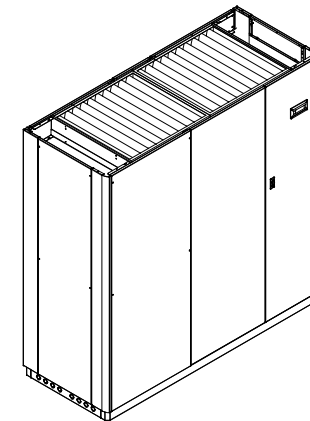
(1)	WATER INLET CONDENSER 1"1/2 GAS MALE
(2)	WATER OUTLET CONDENSER 1"1/2 GAS MALE
(3)	COOLING WATER INLET 2" GAS MALE
(4)	COOLING WATER OUTLET 2" GAS MALE
(5)	HUMIDIFIER WATER SUPPLY 3/4" GAS MALE
(6)	HUMIDIFIER WATER DRAIN Ø32mm



N° 8+8
holes Ø 35
in both sides



N° 2
holes Ø 40
in top sides



	Rev.	Modifica - Description	Date/e-Visto/Ckd
	A	Modifica - Description Aggiornata posizione connessioni	Date/e-Visto/Ckd 03/04/09 STR
Drafter	Date - Date	Scale - Scale	
Strazzacappa	25/01/08	1:13	
Descrizione - Description DIMENSIONI INGOMBRO OVERALL DIMENSIONS	Serie - Series DHQR F2.5	Materiale - Material	
	Modello - Model 0532-0532	Trattamento - Treatment	
Codice/Disegno - Code/Drawing HF640C0515	Peso - Weight (kg)	Rev. A	Visto - Checked