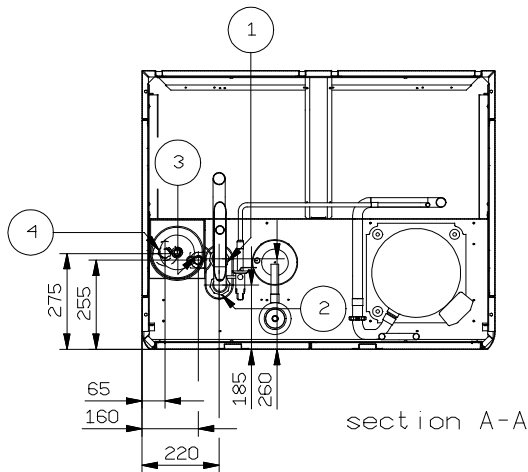
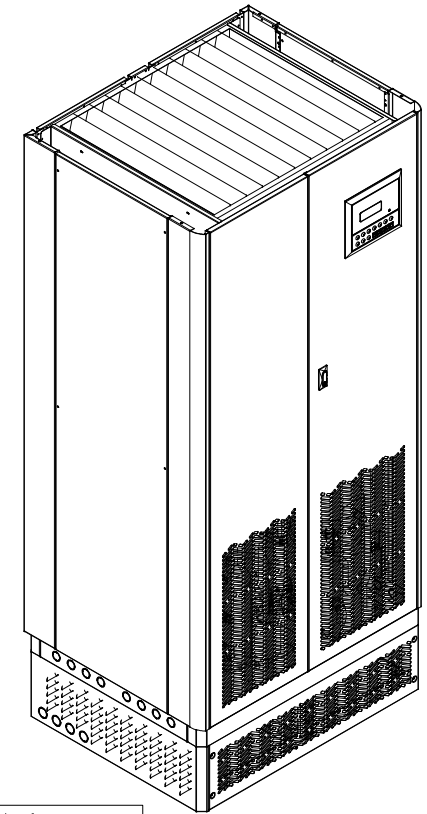
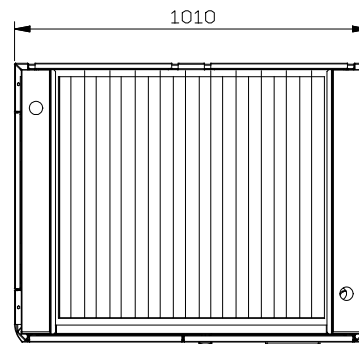


N° 4+4 hole
in both sides \varnothing 40



section A-A



(1)	COOLING WATER INLET 1"1/4 GAS MALE
(2)	COOLING WATER OUTLET 1"1/4 GAS MALE
(3)	HUMIDIFIER WATER SUPPLY 3/4" GAS MALE
(4)	HUMIDIFIER WATER DRAIN \varnothing 32mm

LENNOX	Rev.	Modifica - Description	Date/e-Visto/Ckd
	A	Aggiornate commisioni umidificatore	30/07/08 NP
Descrizione - Description DIMENSIONI INGOMBRO OVERALL DIMENSIONS	Draftsmen	Date - Date	Scale - Scale
	Strazzacappa	07/04/08	1:12
Codice/Disegno - Code/Drawing HF64000432	Serie - Series	Materiale - Material	
	DHFXR		
	Modello - Model	Trattamento - Treatment	
	0201_0261 F_1		
	Peso - Weight (kg)	Rev.	Visto - Checked
		A	