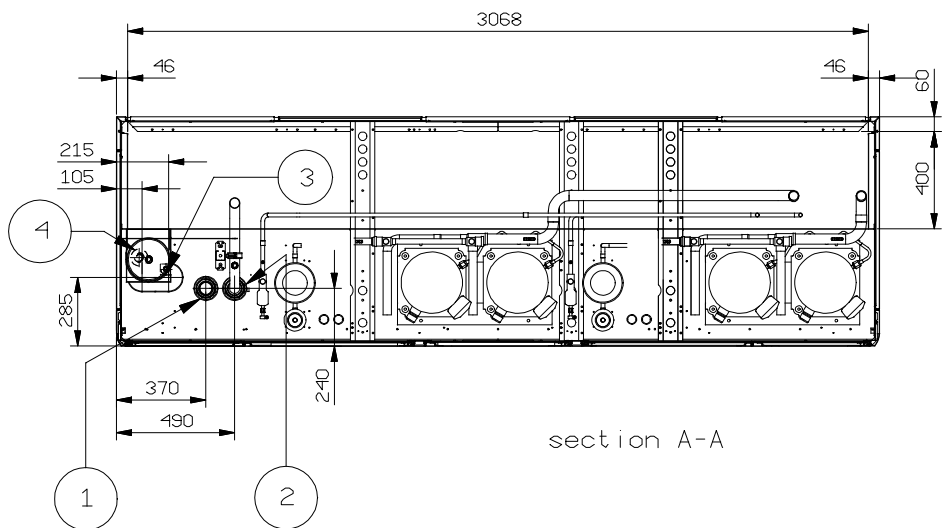
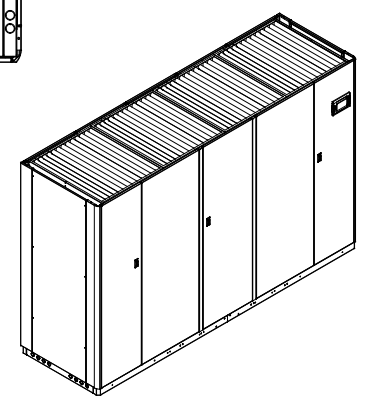
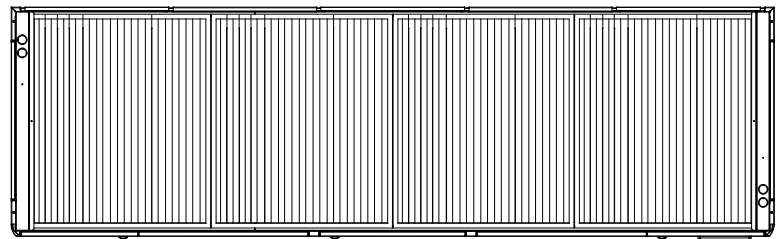


n° 8+8 holes
Ø 35
in both
sides



section A-A



| | |
|-------|---------------------------------------|
| (1) | COOLING WATER INLET 2" GAS MALE |
| (2) | COOLING WATER OUTLET 2" GAS MALE |
| (3) | HUMIDIFIER WATER SUPPLY 3/4" GAS MALE |
| (4) | HUMIDIFIER WATER DRAIN Ø32mm |

| | | | |
|--|-------------------------|---------------------------|------------------------|
| LENNOX | Rev. | Modifica - Description | Date/e-Visto/Ckd |
| | Rev. | Modifica - Description | Date/e-Visto/Ckd |
| Drafter/Man Strazzacappa | Date - Date 26/02/10 | Scale - Scale 1:16 | |
| Descrizione - Description DIMENSIONI INGOMBRO PRELIMINARE OVERALL DIMENSIONS PRELIMINARY | | Serie - Series DHFR F5 | Materiale - Material |
| Codice/Disegno - Code/Drawing HF640C0736 | | Modello - Model 1204 | Treatment - Treatment |
| | | Peso - Weight (kg) | Rev. / Visto - Checked |