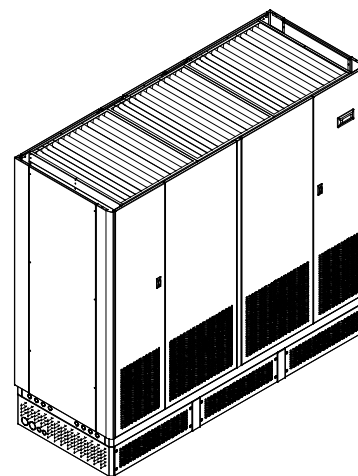
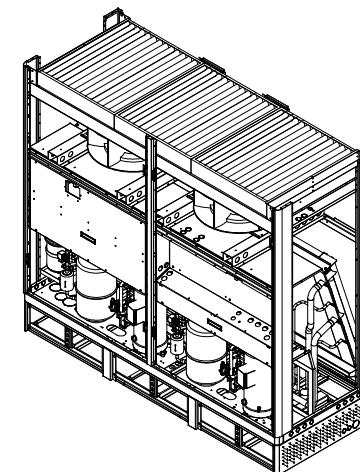
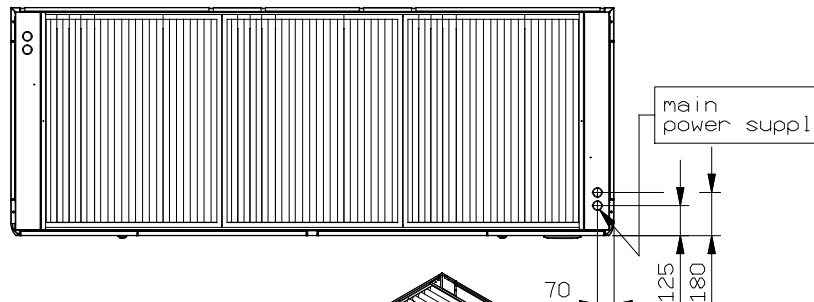
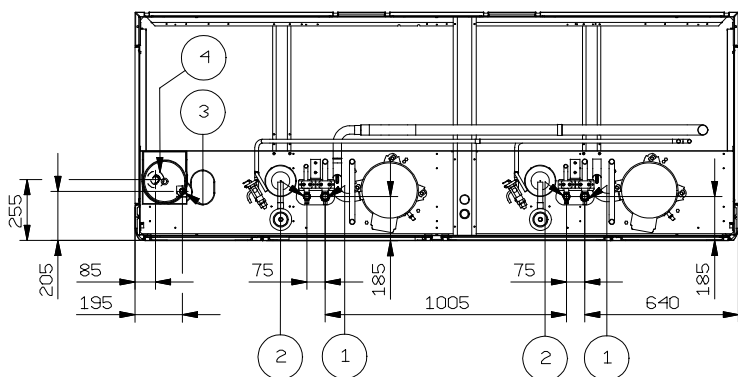


section A-A



(1)	GAS LINE OUTLET 1"1/4 ROTALOCK - Ø 22
(2)	LIQUID LINE INLET 1" ROTALOCK - Ø 16
(3)	HUMIDIFIER WATER SUPPLY - 3/4" GAS MALE
(4)	HUMIDIFIER WATER DRAIN - Ø32mm

LENNOX	Rev. Modifica - Description	Data/e-Vieto/Gkd	
	Rev. Modifica - Description	Data/e-Vieto/Gkd	
Draftsmen Strazzacappa	Date - Date 31/08/09	Scale - Scale 1:16	
Descrizione - Description DIMENSIONI INGOMBRO OVERALL DIMENSIONS	Serie - Series DHXR F4	Materiale - Material	
Codice/Disegno - Code/Drawing HF640C0642	Modello - Model 1002	Trattamento - Treatment	
	Peso - Weight (kg)	Rev. /	Vieto - Checked