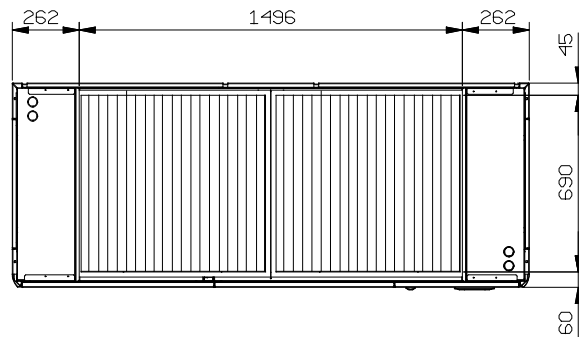


SEZ. A - A



( 1 )	GAS LINE OUTLET 1"1/4 ROTALOCK - Ø 22
( 2 )	LIQUID LINE INLET 1" ROTALOCK - Ø 16
( 3 )	HUMIDIFIER WATER SUPPLY 3/4" GAS MALE
( 4 )	HUMIDIFIER WATER DRAIN Ø32

<b>LENNOX</b>	Rev.	Modifica - Description	Date/e-Visto/Gkd
	Rev.	Modifica - Description	Date/e-Visto/Gkd
Drafter Pedrotta	Date - Date 13/10/09	Scale - Scale 1:15	
Descrizione - Description DIMENSION INGOMBRO OVERALL DIMENSIONS	Serie - Series DHAVR_0532_0532	Materiale - Material /	
	Modello - Model FRAME 2.5	Trattamento - Treatment /	
Codice/Disegno - Code/Drawing HF640C0667	Peso - Weight (kg) /	Rev.	Visto - Checked