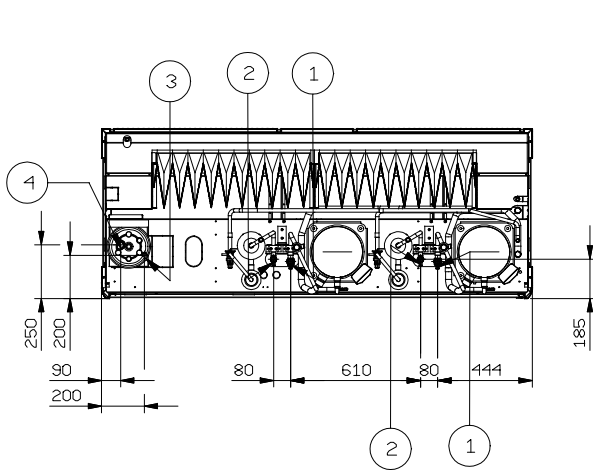
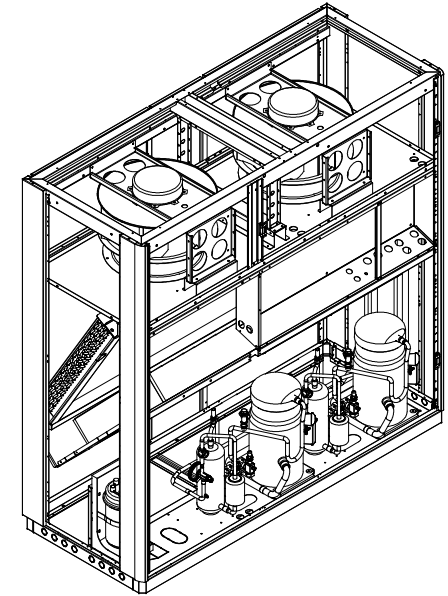
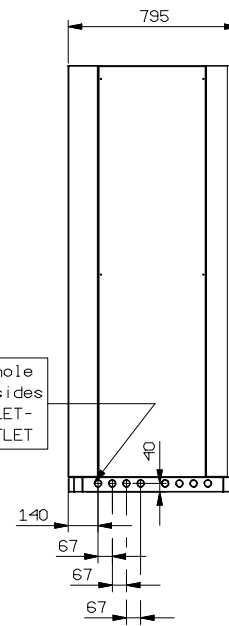
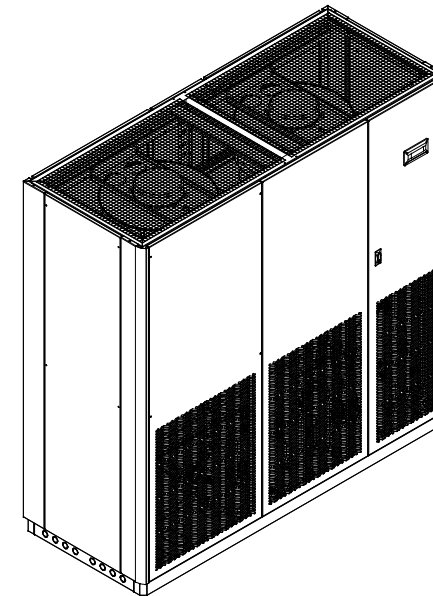
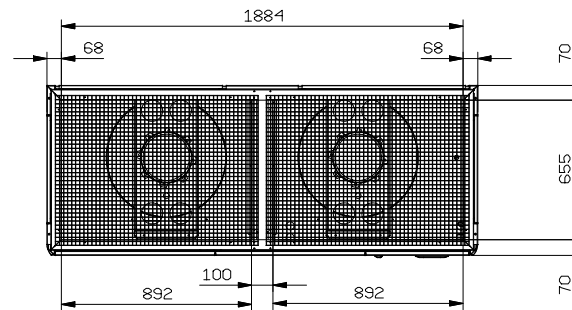


N° 4+4 hole
in both sides
LIQUID INLET-
GAS OUTLET



section A-A



(1)	GAS LINE OUTLET 1"1/4 ROTALOCK - Ø 22
(2)	LIQUID LINE INLET 1" ROTALOCK - Ø 16
(3)	HUMIDIFIER WATER SUPPLY 3/4" GAS MALE
(4)	HUMIDIFIER WATER DRAIN Ø 32

LENNOX	Rev. B	Modifica - Description	Aggiornate connessioni unidificatore	Date/Date	04/06/08 NP
	Rev. C	Modifica - Description	Aggiornamento generale	Date/Date	17/12/09 STR
Drafter/Disegnatore	Pedrotta	Date - Date	28/01/08	Scale - Scale	1:18
Descrizione - Description		Series - Series	DHAUR 0532_0532	Material - Material	
DIMENSIONI INGOMBRO		Modello - Model	F 2.5	Trattamento - Treatment	
OVERALL DIMENSIONS		Weight - Weight (kg)	/	Rev. B	Visto - Checked
Codice/Disegno - Code/Drawing		HF640C0407			