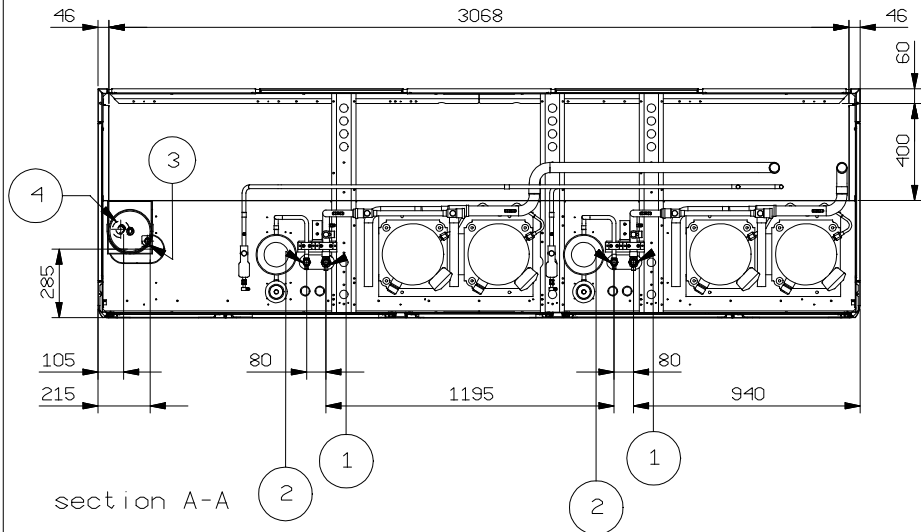
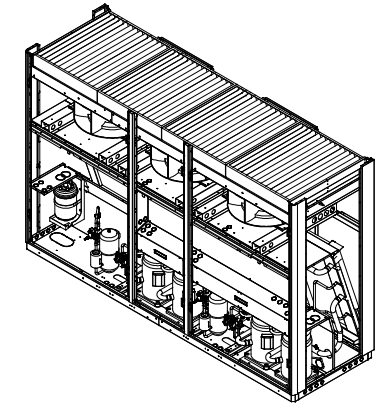
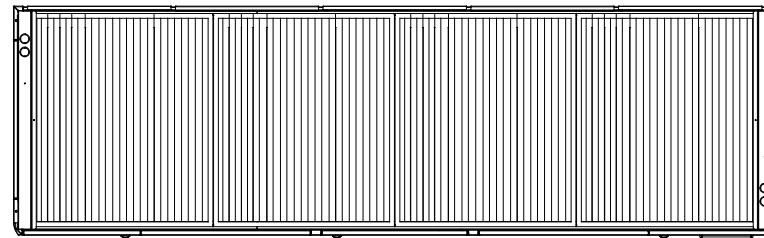
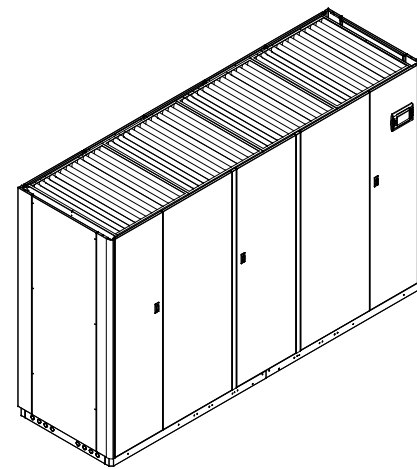


n° 8+8 holes
 Ø 35
 in both
 sides



section A-A



(1)	GAS LINE OUTLET 1"1/4 ROTALOCK - Ø 28
(2)	LIQUID LINE INLET 1" ROTALOCK - Ø 16
(3)	HUMIDIFIER WATER SUPPLY - 3/4" GAS MALE
(4)	HUMIDIFIER WATER DRAIN - Ø32mm

	Rev.	Modifica - Description	Date/e-Visto/Ckd
	Rev.	Modifica - Description	Date/e-Visto/Ckd
Drafter/Disegn	Strazzacappa	Date - Date	10/09/09
Scale - Scala	1:16	Material - Material	
Descrizione - Description	DIMENSIONI INGOMBRO OVERALL DIMENSIONS		
Series - Series	DHADR F5	Treatment - Treatment	
Modello - Model	1204		
Codice/Disegno - Code/Drawing	HF640C0648	Peso - Weight (kg)	Rev.
			Visto - Checked