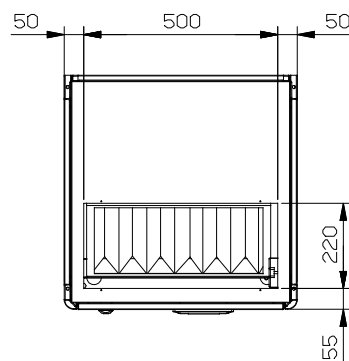


section A-A



(1)	COOLING WATER INLET 3/4" GAS MALE
(2)	COOLING WATER OUTLET 3/4" GAS MALE
(3)	HUMIDIFIER WATER SUPPLY 3/4" GAS MALE
(4)	HUMIDIFIER WATER DRAIN Ø32

LENNOX	Rev.	Modifica - Description		Date/e-Visto/Gkd
	Rev.	Modifica - Description		Date/e-Visto/Gkd
Descrizione - Description DIMENSIONI INGOMBRO OVERALL DIMENSIONS	Drafter/Designer Strazzacappa	Date - Date 23/12/09	Scale - Scale 1:10	
	Serie - Series DHXR		Materiale - Material	
Codice/Disegno - Code/Drawing HF640C0708	Peso - Weight (kg)	Rev.	Visto - Checked	