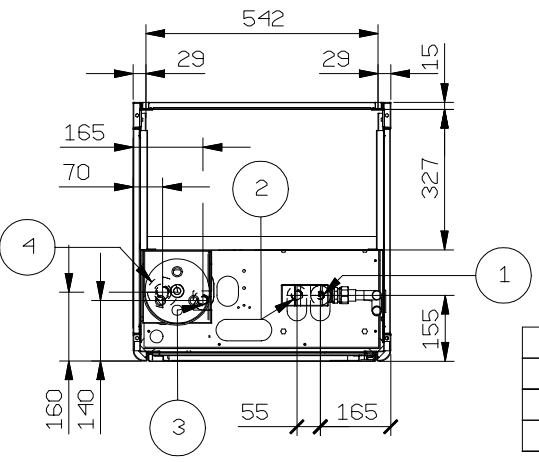


section A-A



( 1 )	COOLING WATER INLET 3/4" GAS MALE
( 2 )	COOLING WATER OUTLET 3/4" GAS MALE
( 3 )	HUMIDIFIER WATER SUPPLY 3/4" GAS MALE
( 4 )	HUMIDIFIER WATER DRAIN Ø32

n° 2+2 holes Ø 38 in both sides

<b>LENNOX</b>	Rev. C	Modifica - Description	Aggiornamento generale tavola	Date/e-Visto/Cltd	06/08/09 STR
	Rev. B	Modifica - Description	Aggiornate commisioni unidificatore	Date/e-Visto/Cltd	30/05/08 NP
Descrizione - Description DIMENSIONI INGOMBRO OVERALL DIMENSIONS	Drafter/Man	Date - Data	26/07/05	Scale - Scale	1:9
	Codice/Disegno - Code/Drawing	Serie - Series	DHDDR	Materiale - Material	
HF64000158	Modello - Model	0060-0080	Treatmento - Treatment		
	Peso - Weight (kg)	Rev. C	Visto - Checked		