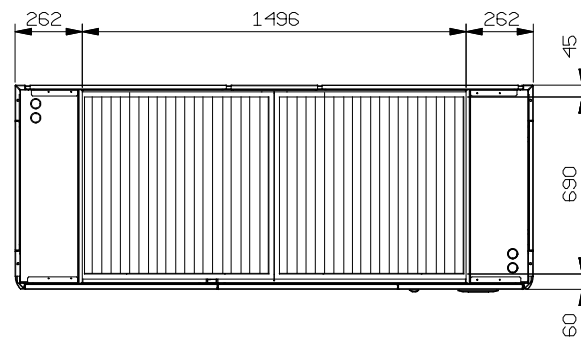
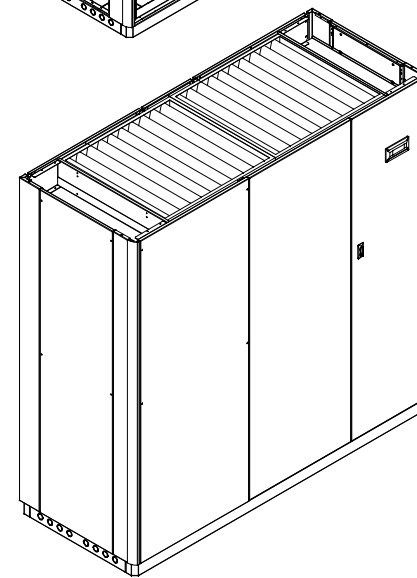
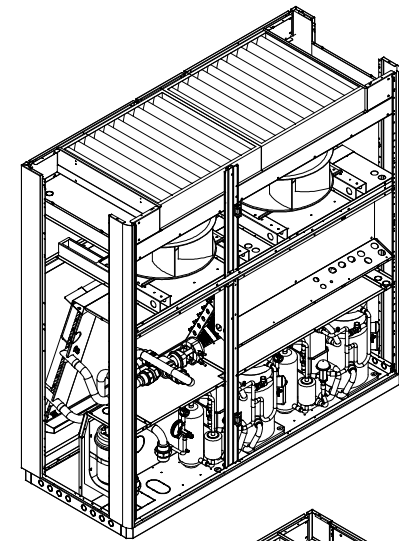
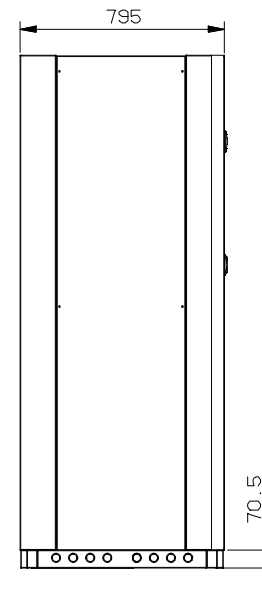
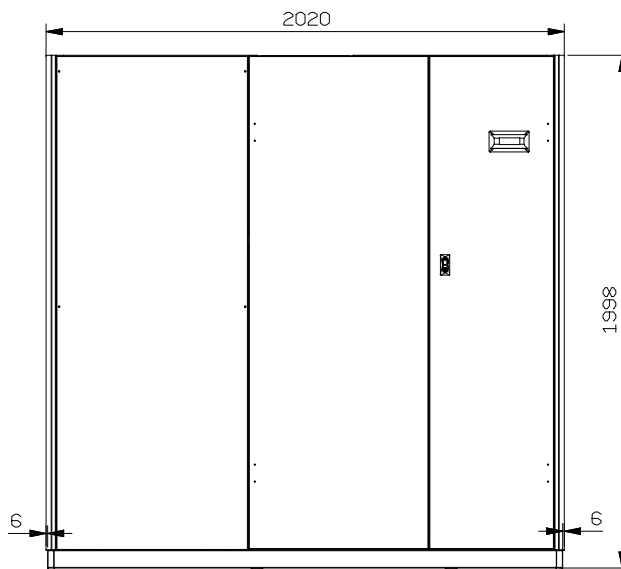
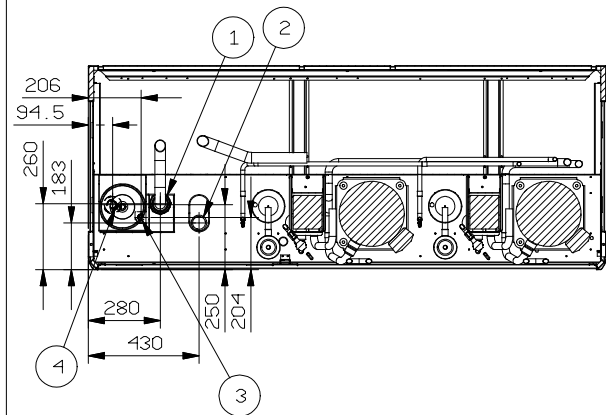


SEZ. A - A



(1)	COOLING WATER INLET 2" GAS MALE
(2)	COOLING WATER OUTLET 2" GAS MALE
(3)	HUMIDIFIER WATER SUPPLY 3/4" GAS MALE
(4)	HUMIDIFIER WATER DRAIN Ø32mm

LENNOX	Rev.	Modifica - Description	Data/e-Visto/Gkd	
	Rev.	Modifica - Description	Data/e-Visto/Gkd	
Drafter Pedrotta	Date - Date	Scale - Scale		
	10/11/09	1:15		
Descrizione - Description		Serie - Series	Materiale - Material	
DIMENSION INGOMBRO		DHADR 0532_0532	/	
OVERALL DIMENSIONS		Modello - Model	Trattamento - Treatment	
		FRAME 1.5	/	
Codice/Disegno - Code/Drawing		Peso - Weight (kg)	Rev.	Visto - Checked
HF64000405		/	/	/