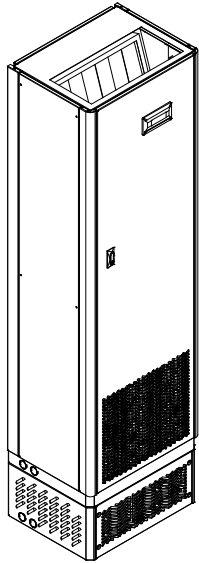
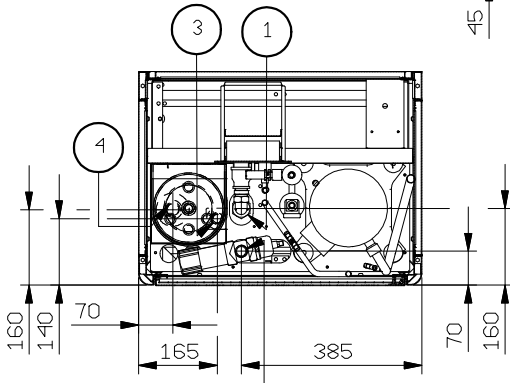
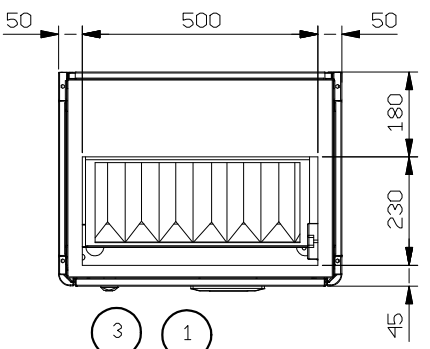
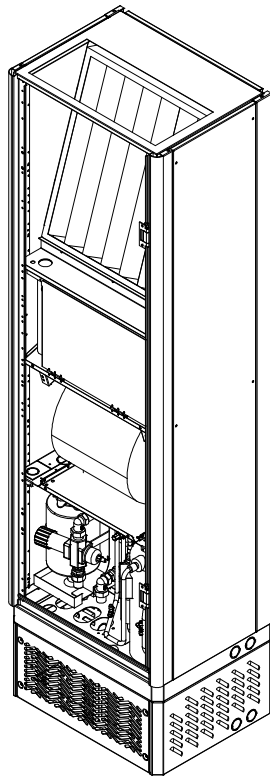


N° 4+4 hole Ø40 in both sides



(1)	WATER INLET CONDENSER 3/4" GAS MALE
(2)	WATER OUTLET CONDENSER 3/4" GAS MALE
(3)	HUMIDIFIER WATER SUPPLY 3/4" GAS MALE
(4)	HUMIDIFIER WATER DRAIN Ø32

LENNOX	Rev. Modifica - Description	Date - Date	Scale - Scale	Date/e-Viso/Doc
	A Aggiornate connessioni unificatore	25/01/08	1:8	03/05/08 NP
Descrizione - Description	Strazzeacappa	Series - Series	Materiale - Material	
DIMENSIONI INGOMBRO OVERALL DIMENSIONS		DHZ/4XC		
Codice/Disegno - Code/Drawing	HFG4000403	Modello - Model	Treatment - Treatment	
		0060_0080 F1		
		Peso - Weight (kg)	Rev. A	Viso - Checked