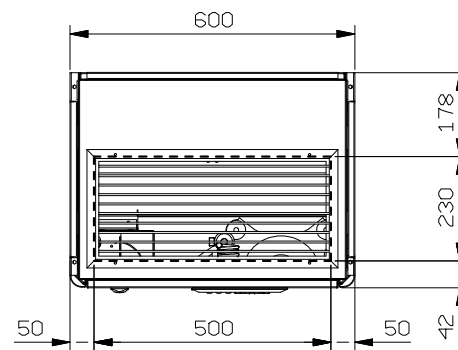


Section A-A



(1)	WATER INLET CONDENSER	ø 3/4" GAS MALE
(2)	WATER OUTLET CONDENSER	ø 3/4" GAS MALE
(3)	HUMIDIFIER WATER SUPPLY	ø 3/4" GAS MALE
(4)	HUMIDIFIER WATER DRAIN	ø 32

LENNOX	Rev.	Modifica - Description	Date/e-Visto/Okd
	A	Aggiornate commessioni unidificatore	30/05/08 NP
Draftsman Pedrotta	Date - Date 01/03/07	Scale - Scale 1:8	⊕
Descrizione - Description DIMENSIONI INGOMBRO OVERALL DIMENSIONS		Serie - Series DHDC	Materiale - Material /
		Modello - Model F1 0060_0080	Trattamento - Treatment /
Codice/Disegno - Code/Drawing HF640C0290		Peso - Weight (kg) /	Rev. - Visto - Checked A