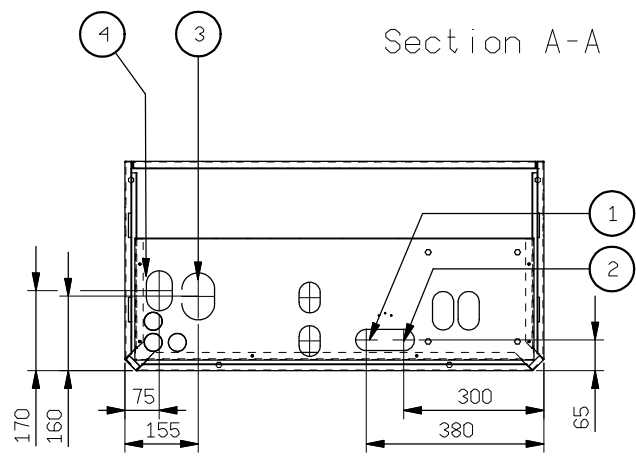


Section A-A



( 1 )	LIQUID LINE INLET_ROTALOCK 1" - Ø12
( 2 )	GAS LINE OUTLET_ROTALOCK 1" - Ø16
( 3 )	HUMIDIFIER WATER SUPPLY 3/4" GAS MALE
( 4 )	HUMIDIFIER WATER DRAIN_Ø 32

		Rev.	Modifica - Description	Date/e-Visto/Okd
		Rev.	Modifica - Description	Date/e-Visto/Okd
		A	Aggiornate connessioni unidificatore	03/02/08 NP
Draffilman	Date - Date	Scale - Scale		
Strazzacappa	07/07/05	1:8		
Descrizione - Description DIMENSIONI INGOMBRO OVERALL DIMENSIONS		Serie - Series	Materiale - Material	
		DHAXC		
Codice/Disegno - Code/Drawing		Modello - Model	Trattamento - Treatment	
HF640C0162		0100_0130 F2		
		Peso - Weight (kg)	Rev.	Visto - Checked
			A	