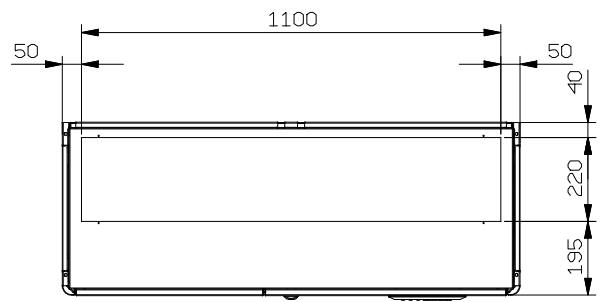
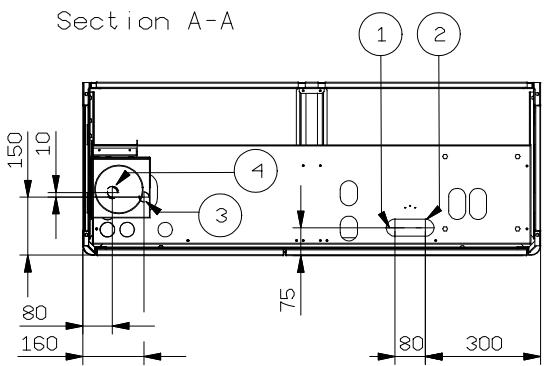


Section A-A



( 1 )	Liquid line inlet 1"rotalock Ø12 Entrée conduite de liquide 1"rotalock Ø12
( 2 )	Gas line outlet 1" rotalock Ø16 Sortie conduite de gas 1" rotalock Ø16
( 3 )	Humidifier water supply 3/4" GAS MALE Entrée eau humidificateur 3/4" GAS MALE
( 4 )	Humidifier water drain Ø32 Vidange eau humidificateur Ø32

<b>LENNOX</b>	Rev. B	Modifica - Description Aggiunta lingua francese nelle note	Date/Date	14/07/'10 MT
	Rev. A	Modifica - Description Aggiornate commissioni unidificatore	Date/Date	23/07/08 NP
Drafter/Drafter Strazzacappa	Date - Date 13/04/06	Scale - Scale 1:10		
Descrizione - Description DIMENSIONI INGOMBRO OVERALL DIMENSIONS DIMENSION GLOBALE		Series - Series DH4UC		
Codice/Disegno - Code/Drawing HF640C0226		Modello - Model 0160-0205 F_3	Trattamento - Treatment	Rev. B
Pesa - Weight (kg) /		Rev. B	Visto - Checked	