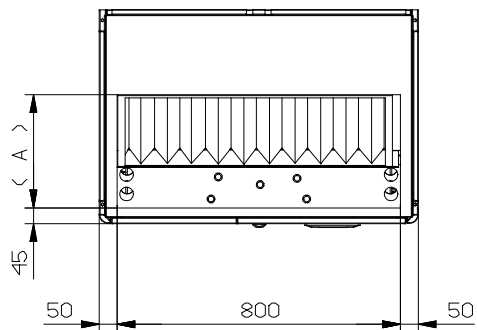
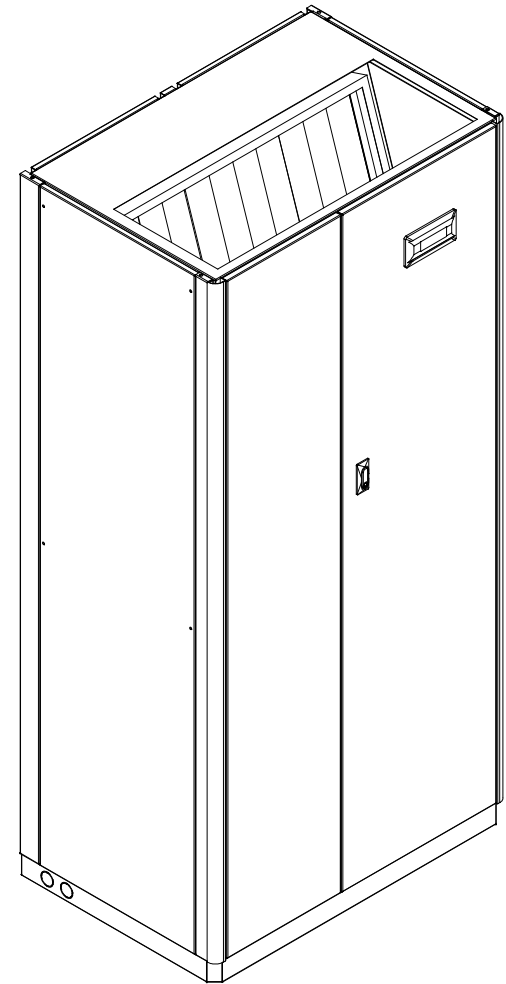
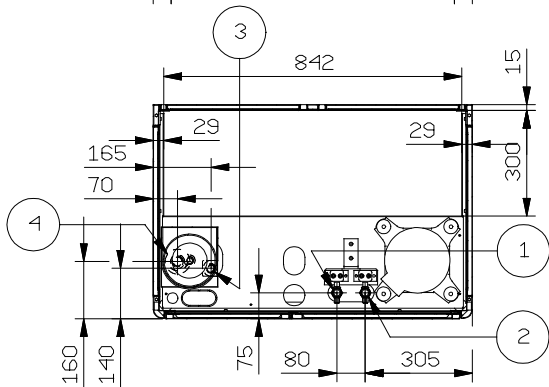


(A)	JADR 0100_0130	JADR 0160_0205
	230	320



N° 2+2 holes $\varnothing 38$
in both sides
LIQUID INLET-
GAS OUTLET

(1)	LIQUID LINE INLET 1"ROTALOCK_ $\varnothing 12$
(2)	GAS LINE OUTLET 1" ROTALOCK_ $\varnothing 16$
(3)	HUMIDIFIER WATER SUPPLY 3/4" GAS MALE
(4)	HUMIDIFIER WATER DRAIN $\varnothing 32$



section A-A

LENNOX TM	Rev. B	Modifica - Description Aggiornamento generale	Date/e-Visto/Ckd 20/03/08 STR
	Rev. C	Modifica - Description Aggiornamento connessioni umidificatore	Date/e-Visto/Ckd 03/06/08 NP
Draftsman Strazzacappa		Date - Date 22/02/06	Scale - Scale 1:15
Descrizione - Description OVERALL DIMENSIONS		Serie - Series DHADR	Materiale - Material /
		Modello - Model 0100-0205 F_2-3	Trattamento - Treatment /
Codice/Disegno - Code/Drawing HF6400070		Peso - Weight (kg) /	Rev. C Visto - Chkd