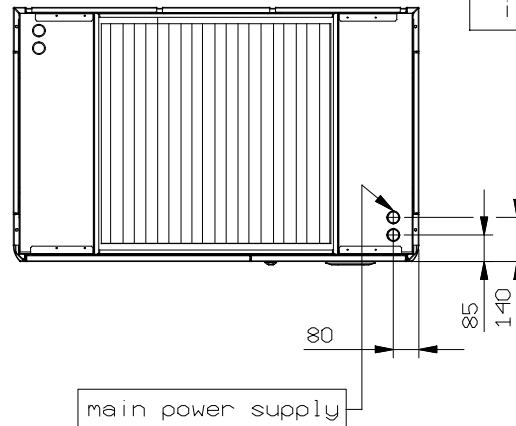
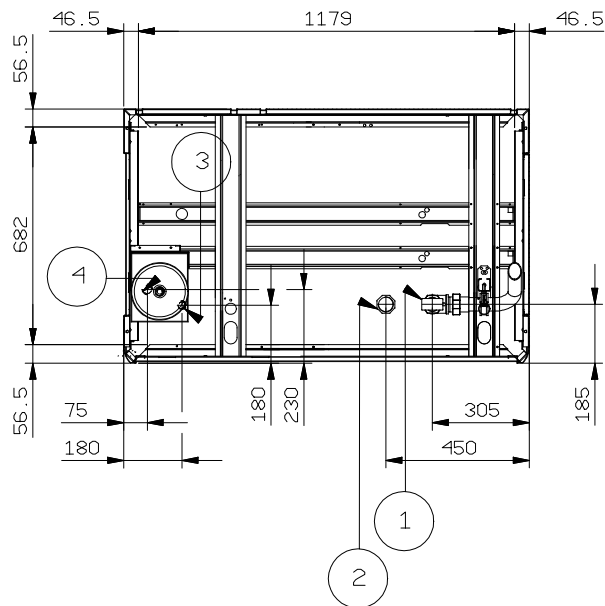


N° 8+8 hole Ø 35
in both sides



main power supply

(1)	COOLING WATER INLET 1"1/2 GAS FEMALE
(2)	COOLING WATER OUTLET 1"1/2 GAS FEMALE
(3)	HUMIDIFIER WATER SUPPLY - 3/4" G MALE
(4)	HUMIDIFIER WATER DRAIN - Ø 32

LENNOX	Rev.	Modifica - Description	Date/e-Visto/Okd
	Rev.	Modifica - Description	Date/e-Visto/Okd
Diretore Strazzacappa	Data - Date 22/04/10	Scala - Scale 1:12	
Descrizione - Description DIMENSIONI INGOMBRO OVERALL DIMENSIONS	Serie - Series DH-DROCE50	Materiale - Material	
Modello - Model FRAME 1.5	Treatment - Treatment		
Codice/Disegno - Code/Drawing HF640C0757S	Peso - Weight (kg)	Rev.	Visto - Checked