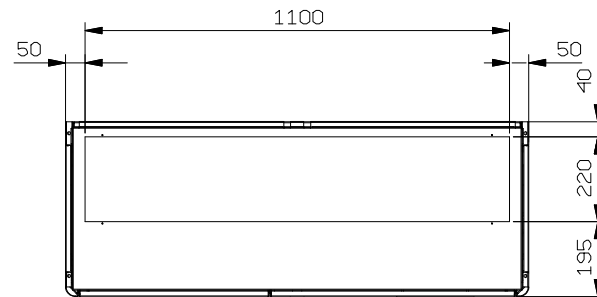
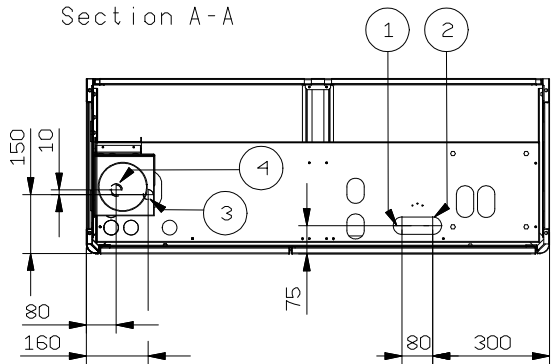


Section A-A



( 1 )	LIQUID LINE INLET 1"ROTALOCK_Ø12
( 2 )	GAS LINE OUTLET 1" ROTALOCK_Ø16
( 3 )	HUMIDIFIER WATER SUPPLY_Ø6
( 4 )	HUMIDIFIER WATER DRAIN_Ø25

<b>LENNOX</b>	Rev.	Modifica - Description	Date/e-Visto/Ckd
	Rev.	Modifica - Description	Date/e-Visto/Ckd
Drafter/Disegnatore Strazzacappa	Date - Date 13/04/06	Scale - Scale 1:10	⊕
Descrizione - Description DIMENSIONI INGOMBRO OVERALL DIMENSIONS		Serie - Series DHAUC	Materiale - Material
Codice/Disegno - Code/Drawing HF640C0047		Modello - Model 0160-0205	Trattamento - Treatment
		Peso - Weight (kg) /	Rev. / Visto - Checked