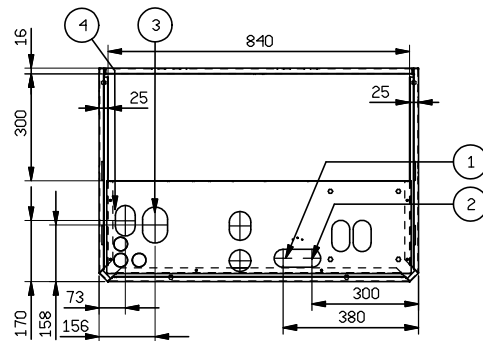


	DHADR 0100_0130	DHADR 0160_0205
( A )	230	320

( 1 )	LIQUID LINE INLET 1"ROTALOCK_Ø12
( 2 )	GAS LINE OUTLET 1" ROTALOCK_Ø16
( 3 )	HUMIDIFIER WATER SUPPLY_Ø6
( 4 )	HUMIDIFIER WATER DRAIN_Ø25



Section A-A

<b>LENNOX</b> <sup>TM</sup>	Rev.	Modifica - Description	Data/e-Visto/Ckd	
	Rev. A	Modifica - Description Aggiornamento generale	Data/e-Visto/Ckd 22/02/06 STR	
Draftsman Strazzacappa	Date - Date 22/02/06	Scale - Scale 1:15		
Descrizione - Description OVERALL DIMENSIONS		Serie - Series DHADR	Materiale - Material /	
		Modello - Model 0100-0205	Trattamento - Treatment /	
Codice/Disegno - Code/Drawing HF64000070		Peso - Weight (kg) /	Rev. A	Visto - Checked