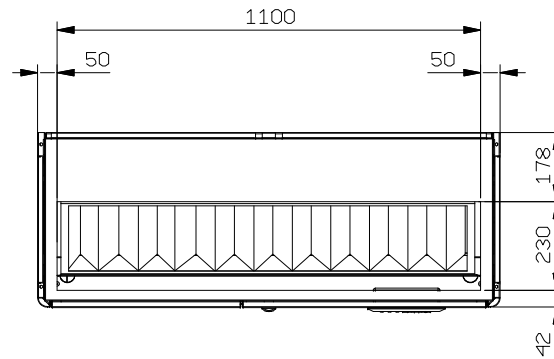
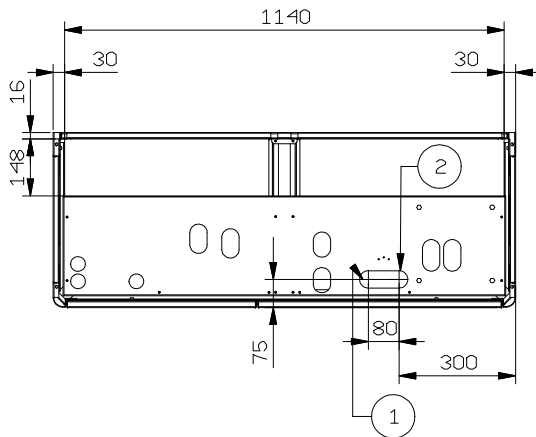
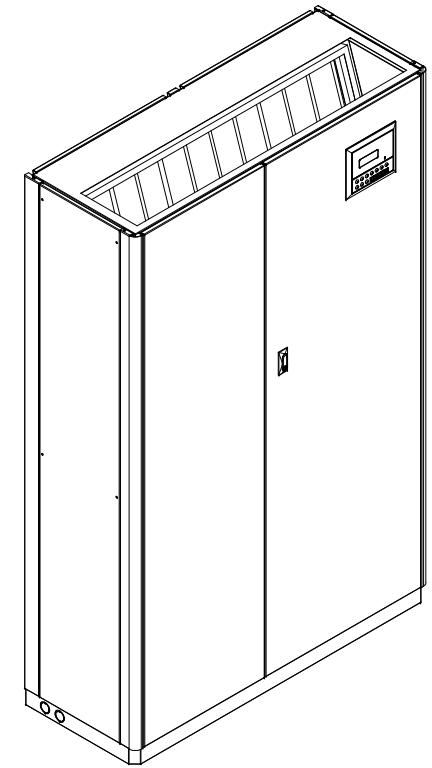
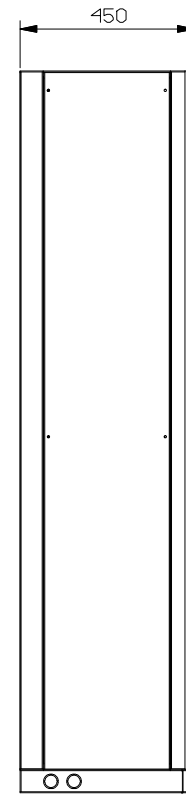
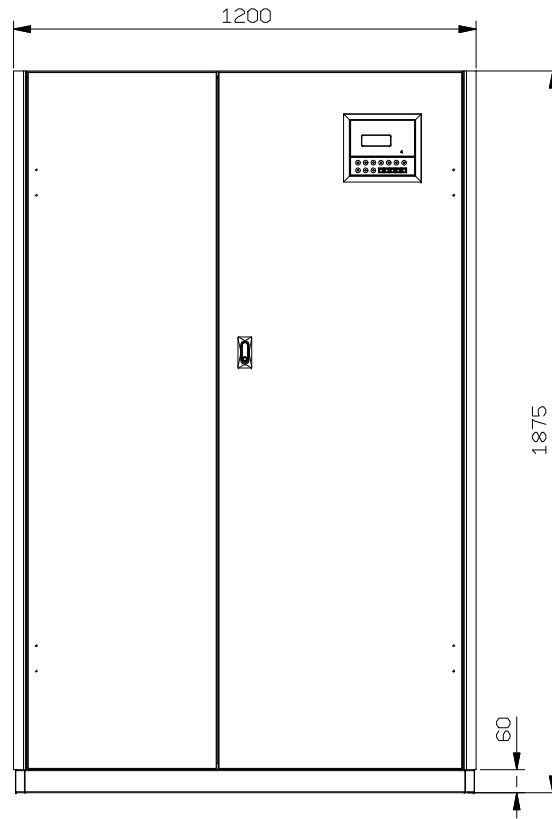


LIQUID LINE GAS LINE



- (1) LIQUID LINE INLET 1" ROTALOCK_Ø12
- (2) GAS LINE OUTLET 1" ROTALOCK_Ø16

LENNOX	Rev.	Modif/Desc - Description	Date/e-Visto/Ckd	
	Rev.	Modif/Desc - Description	Date/e-Visto/Ckd	
Drafter/Disegn.	Date - Date	Scale - Scale		
Strazzacappa	01/02/05	1:10		
Descrizione - Description	Serie - Series	Materiale - Material		
DIMENSIONI INGOMBRO	DHADC			
OVERALL DIMENSIONS	Modello - Model	Trattamento - Treatment		
	0160_0205			
Codice/Disegno - Code/Drawing	Peso - Weight (kg)	Rev.	Visto - Checked	
HF640C0171	/			