



Serie	THX
Model	145

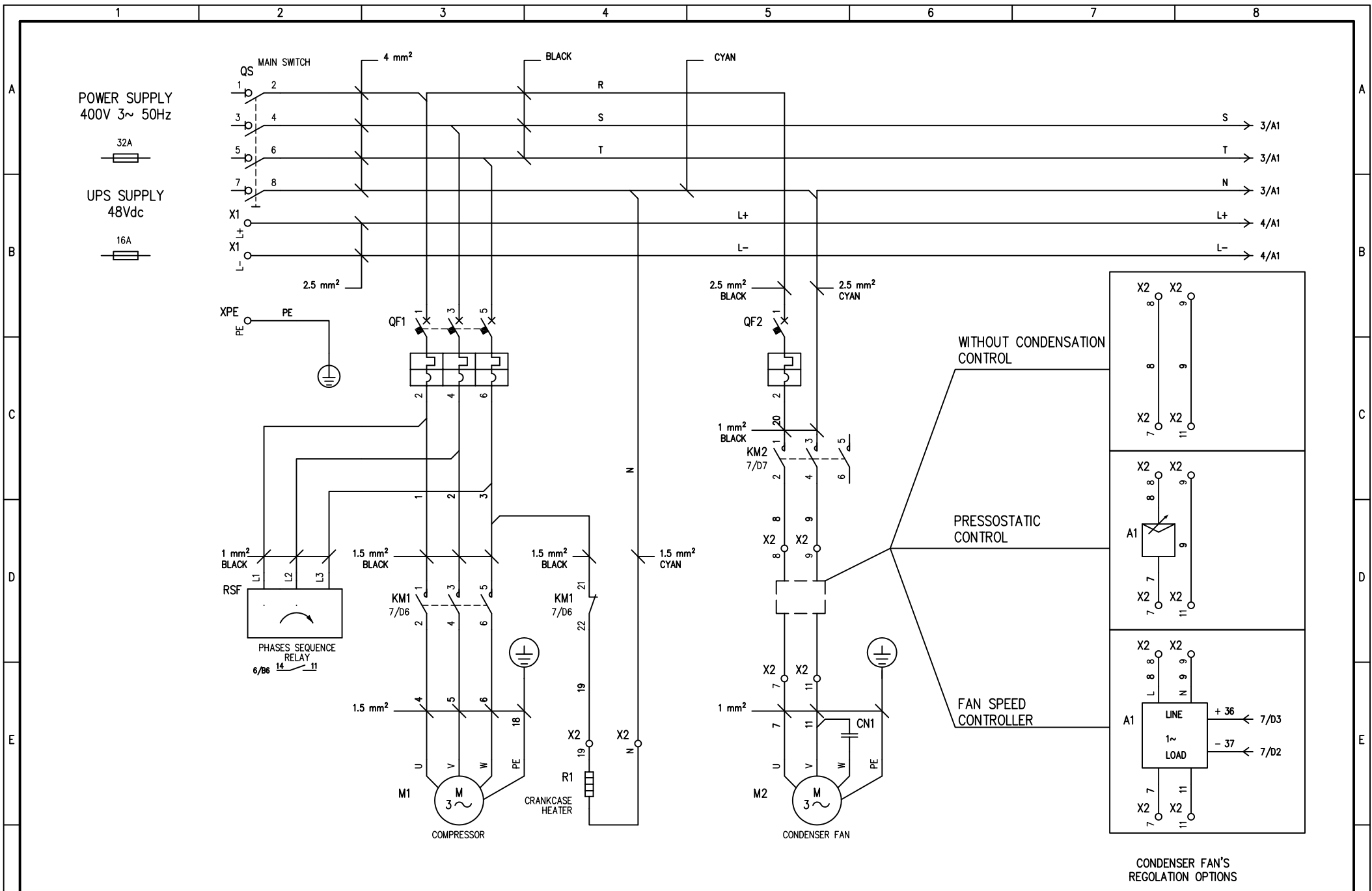
Drawing code	HF620C0746
--------------	------------

Power supply	400V 3~ 50Hz + N	UPS 48VDC
Auxiliary supply	24VAC	24VDC

Created by	NC1	Revision by		Index	
Date	04/12/2007	On			

Max power (kW)	6kW (400V)
FLA (A)	24A (400V)
RLA (A)	70A (400V)

Main protection	32A (400V) – 16A (48)
-----------------	-----------------------

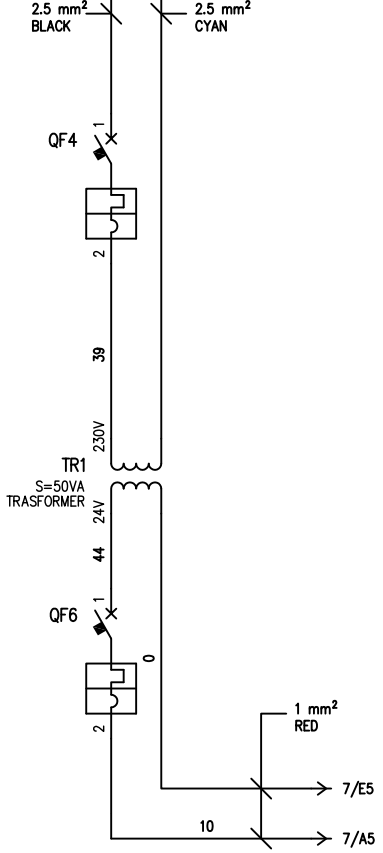
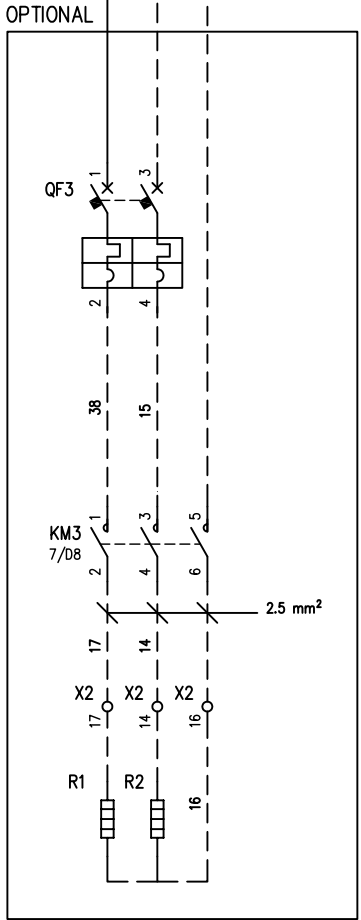
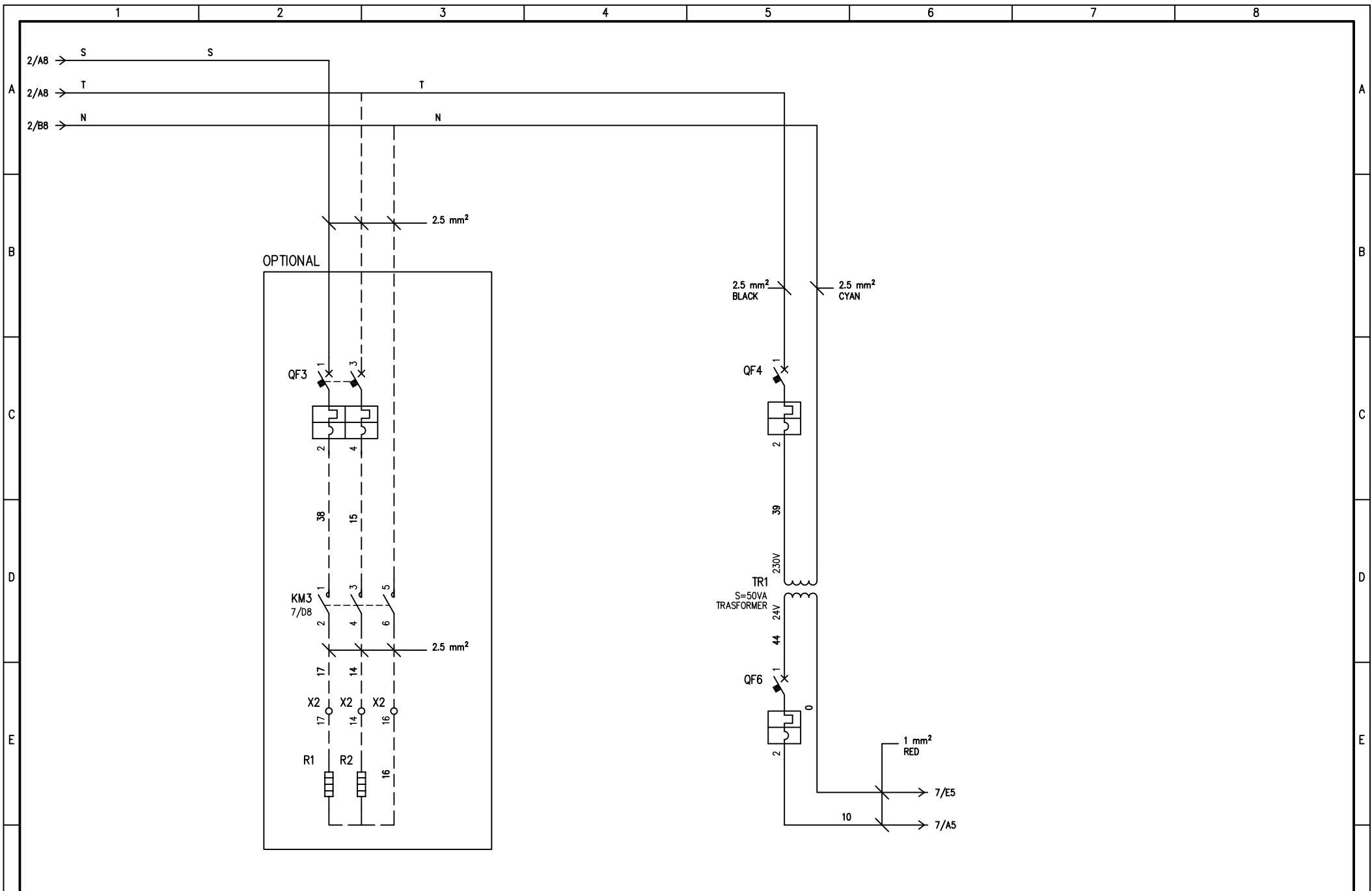


REV.	MODIFICATIONS	DATE	SIGN.	DATE	04/12/2007
					DRAW. NC1
					CHECK FF1
					APPR. MM

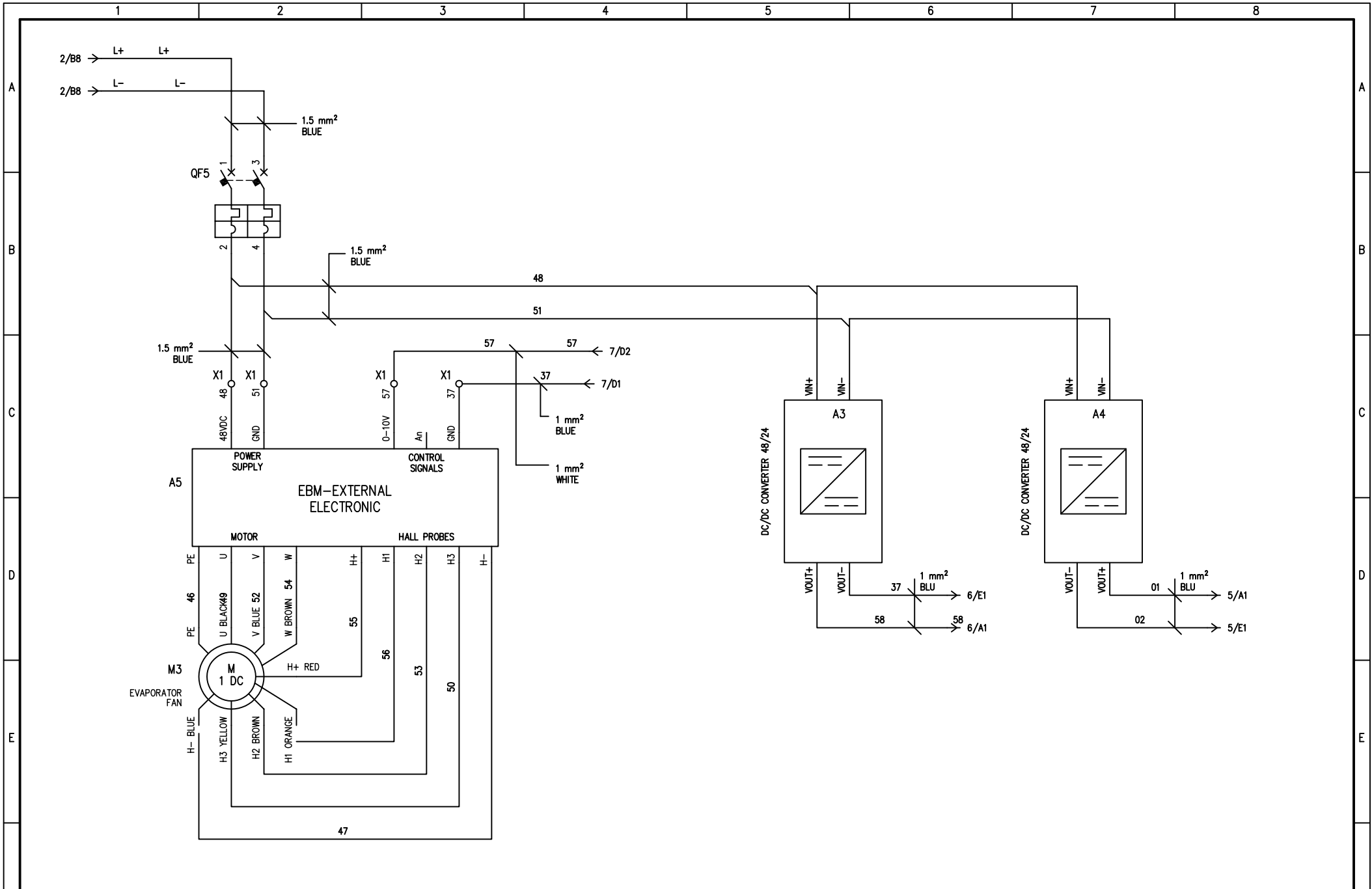
POWER WIRING-SUPPLY CONNECTION

HF620C0746

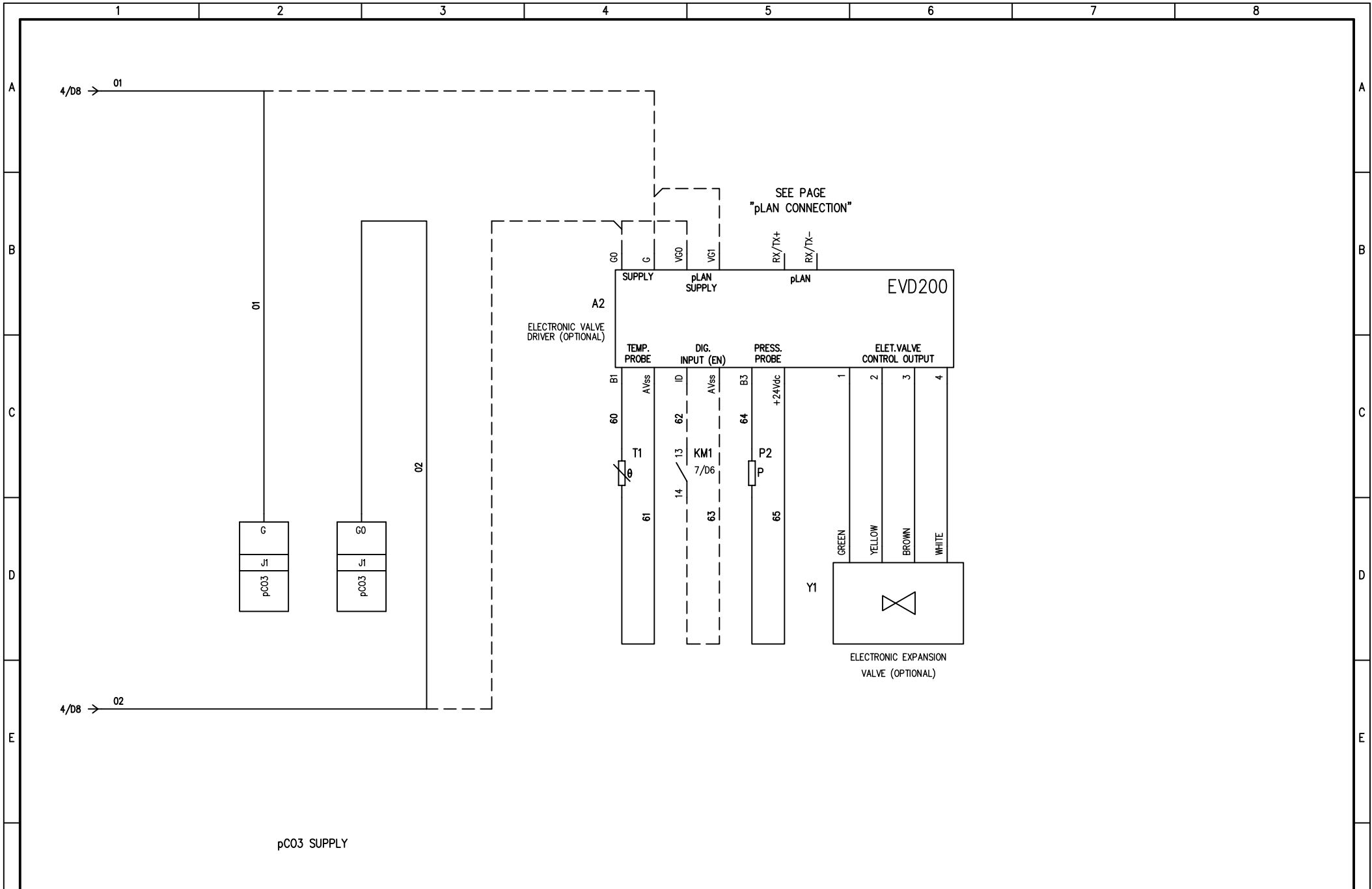
SHEET 2 OF 13
CONTINUE 3



				DATE 04/12/2007	POWER WIRING-HEATER				
				DRAW. NC1					
				CHECK FF1				HF620C0746	
				APPR. IMM				SHEET 3 OF 13	
REV.	MODIFICATIONS	DATE	SIGN.					CONTINUE 4	
1		2		3	4	5	6	7	8



				DATE	04/12/2007	UPS WIRING			
				DRAW.	INC1				
				CHECK	FF1				
REV.	MODIFICATIONS	DATE	SIGN.	APPR.	MM	HF620C0746		SHEET	4 OF 13
1		2		3				CONTINUE	5



SEE PAGE
"pLAN CONNECTION"

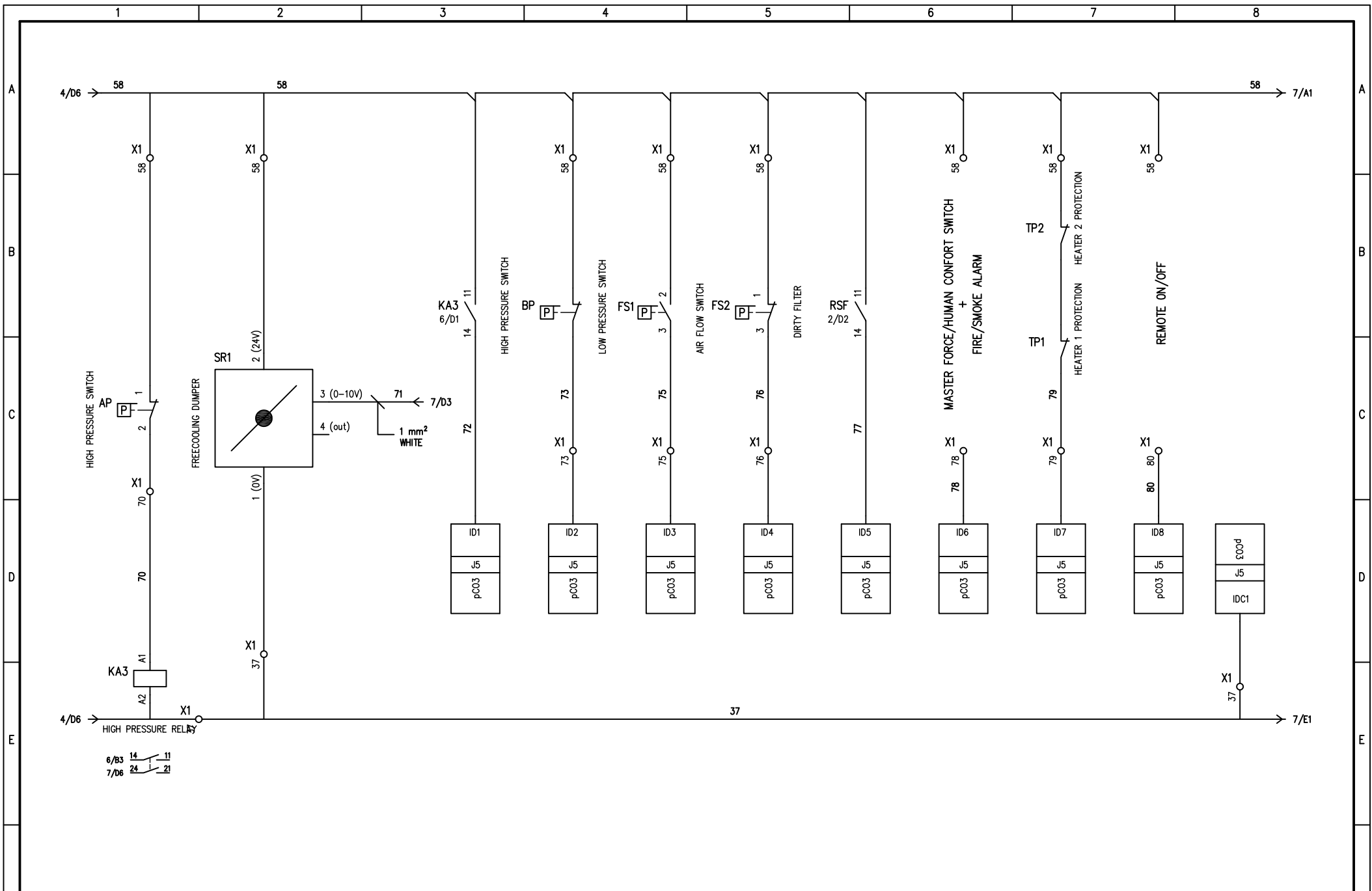
A2
ELECTRONIC VALVE
DRIVER (OPTIONAL)

EVD200

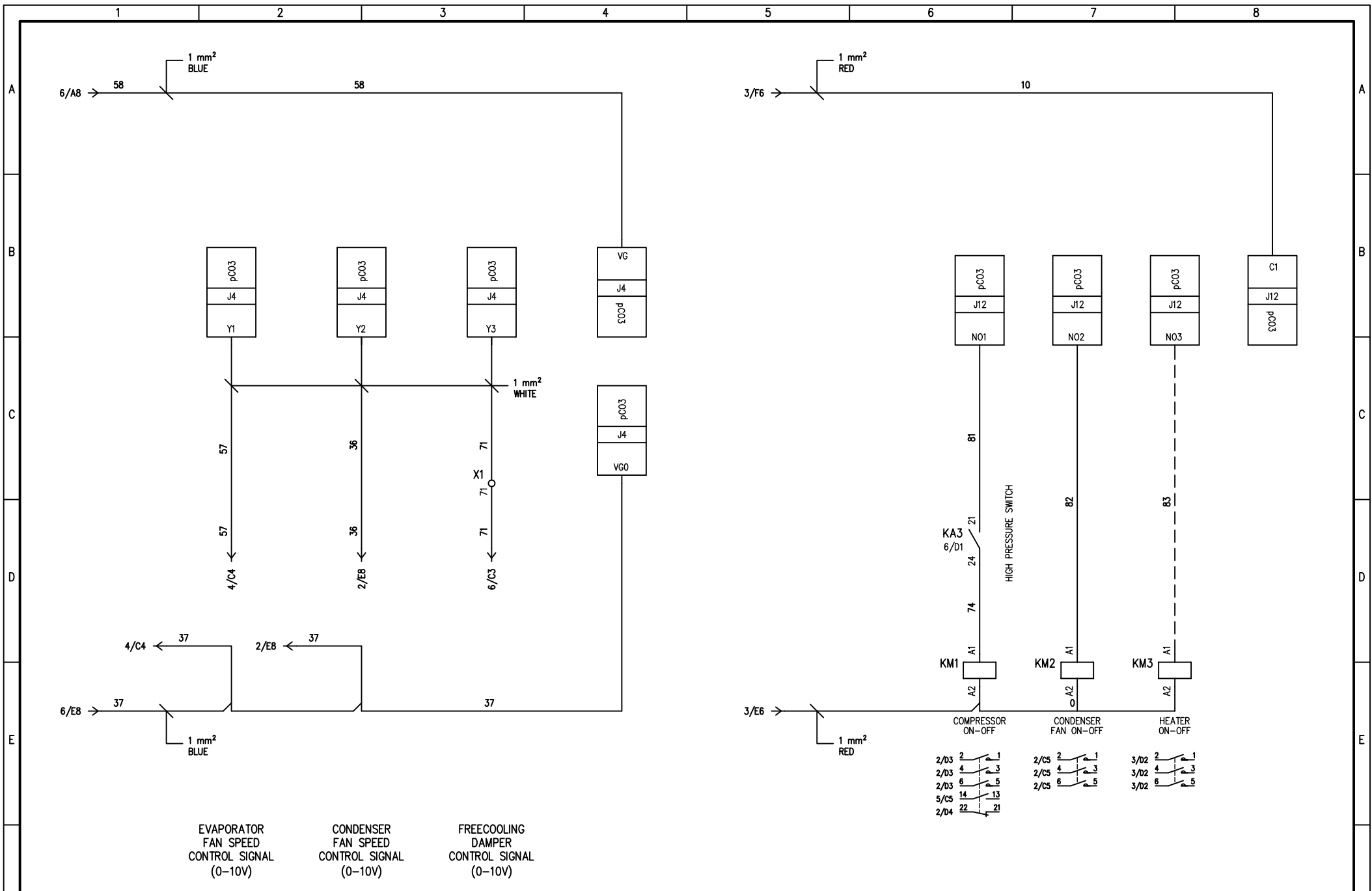
ELECTRONIC EXPANSION
VALVE (OPTIONAL)

pCO3 SUPPLY

				DATE 04/12/2007	AUXILIARY WIRING			
				DRAW. NC1				
				CHECK FF1				
REV.	MODIFICATIONS	DATE	SIGN.	APPR. MM	HF620C0746			SHEET 5 OF 13
1		2		3				CONTINUE 6



				DATE 04/12/2007	DIGITAL INPUTS			
				DRAW. NC1				
				CHECK FF1				
REV.	MODIFICATIONS	DATE	SIGN.	APPR. IMM	HF620C0746		SHEET 6 OF 13	
1		2		3			CONTINUE 7	



				DATE 04/12/2007	ANALOG OUTPUTS-DIGITAL OUTPUTS			
				DRAW. NC1				
				CHECK FF1				
REV.	MODIFICATIONS	DATE	SIGN.	APPR. IMM	HF620C0746			SHEET 7 OF 13
1		2		3				CONTINUE 8

1 2 3 4 5 6 7 8

A

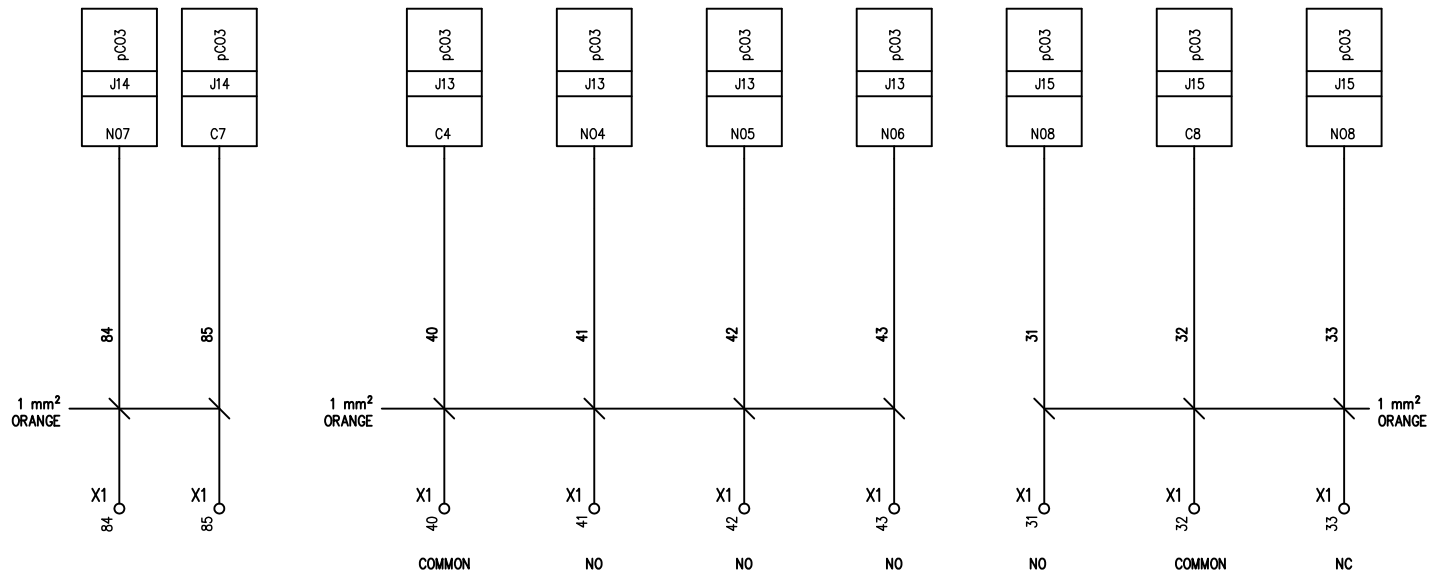
B

C

D

E

F



EVAPORATOR FAN
ON/OFF SIGNAL

FUNCTIONAL ALARM
SETTING BY PARAMETERS

GENERAL ALARM
SIGNAL

				DATE 04/12/2007	EXTERNAL SIGNALS				
				DRAW. NC1					
				CHECK FF1				HF620C0746	
REV.	MODIFICATIONS	DATE	SIGN.	APPR. IMM				SHEET 8 OF 13	
							CONTINUE 9		

1 2 3 4 5 6 7 8

A

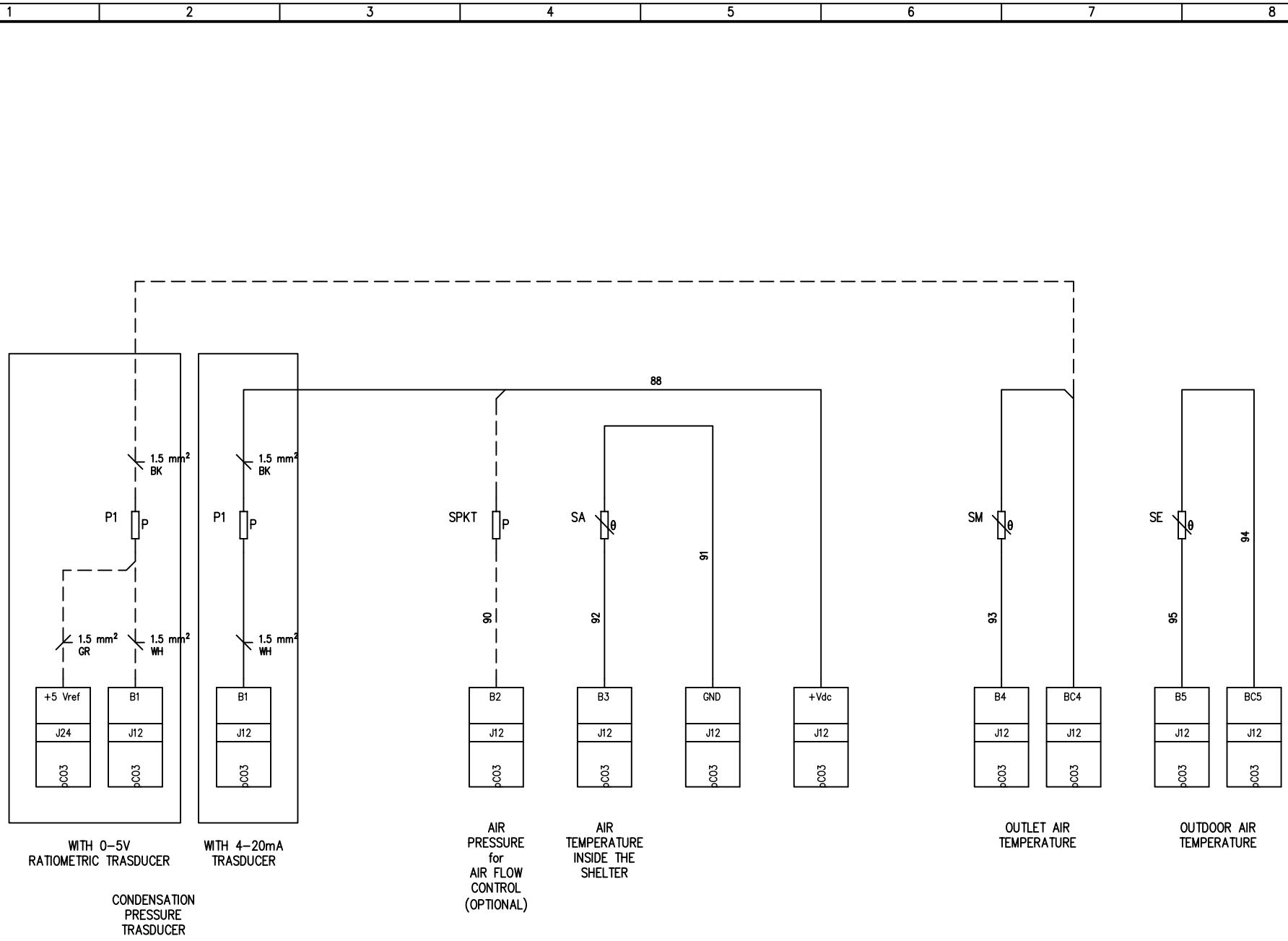
B

C

D

E

F



WITH 0-5V
RATIOMETRIC TRASDUCER

WITH 4-20mA
TRASDUCER

CONDENSATION
PRESSURE
TRASDUCER

AIR
PRESSURE
for
AIR FLOW
CONTROL
(OPTIONAL)

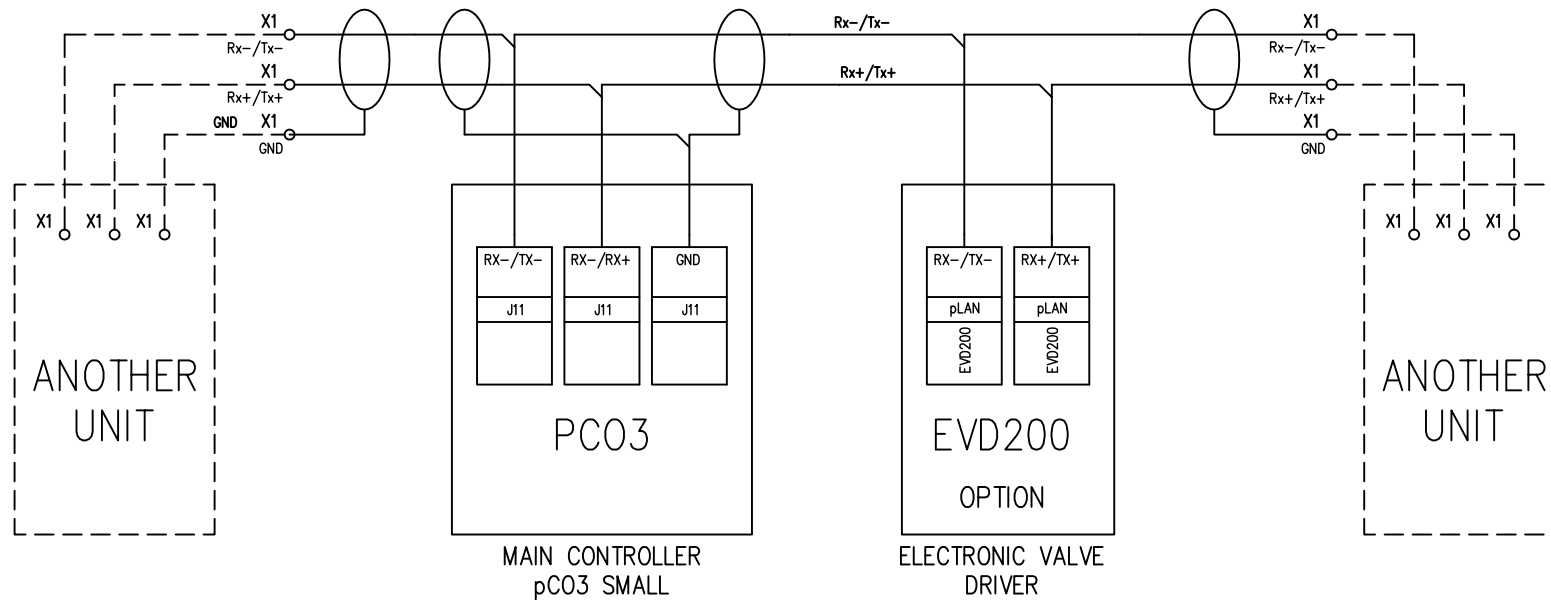
AIR
TEMPERATURE
INSIDE THE
SHELTER

OUTLET AIR
TEMPERATURE

OUTDOOR AIR
TEMPERATURE

REV.	MODIFICATIONS	DATE	SIGN.	DATE 04/12/2007	DRAW. NC1	PROBES	HF620C0746	SHEET 9 OF 13
				CHECK FF1				CONTINUE 10
				APPR. IMM				

pLAN CONNECTION



REV.	MODIFICATIONS	DATE	SIGN.	APPR.	MM

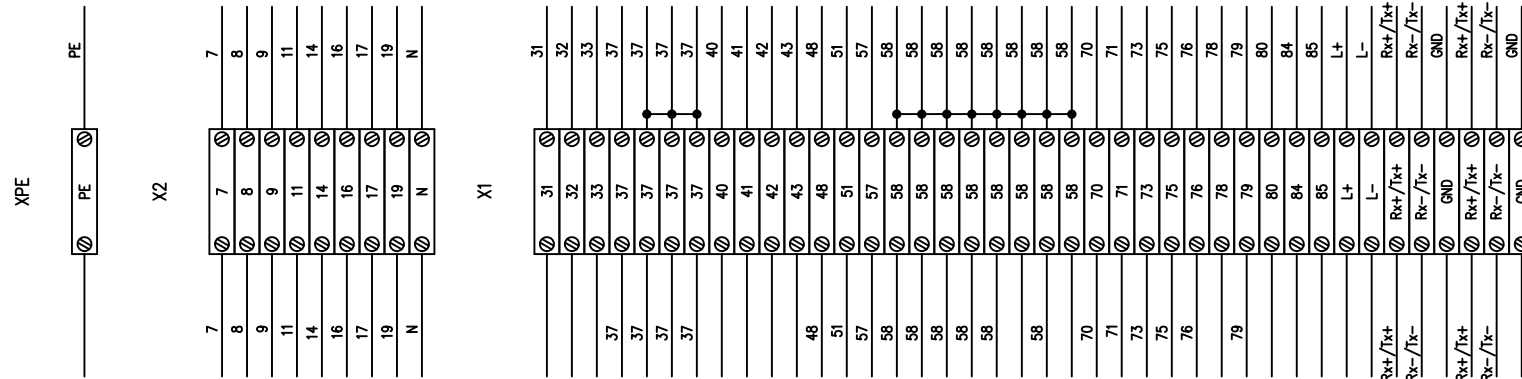
DATE 04/12/2007
 DRAW. NC1
 CHECK FF1
 APPR. MM

pLAN CONNECTION

HF620C0746

SHEET 10 OF 13
 CONTINUE 11

TERMINAL STRIP



58-78	MASTER FORCE/ HUMAN CONFOR SWITCH/ FIRE-SMOKE ALARM
58-80	REMOTE ON-OFF
84-85	EVAPORATOR FAN N-OFF SIGNAL
40-41-42-43	FUNCTIONAL ALARMS SIGNAL SETTING BY PARAMETERS
31-32-33	GENERAL ALARM SIGNAL
RX-TX-GND	PLAN CONNECTION
L+ L-	UPS SUPPLY CONNECTION

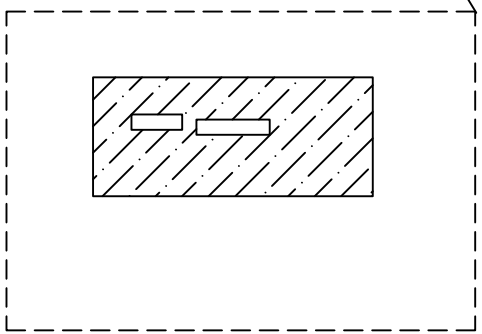
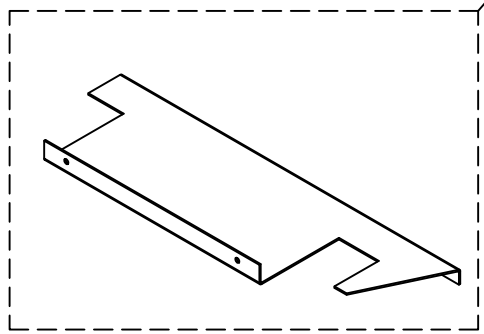
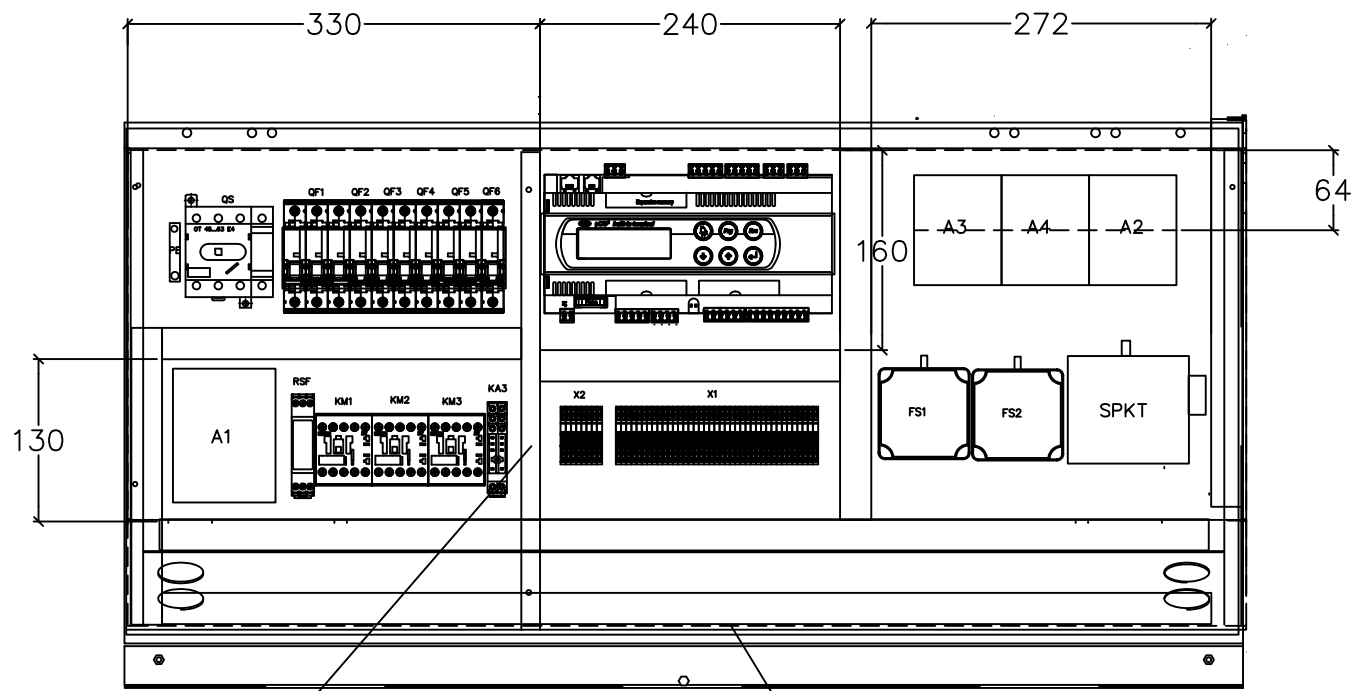
DATE	04/12/2007
DRAW.	NC1
CHECK	FF1
REV.	MODIFICATIONS
DATE	SIGN.
APPR.	MM

TERMINAL STRIP SUMMARY

HF620C0746

SHEET 11 OF 13
CONTINUE 12

LAYOUT



- USARE CANALINE 25X80 PASSO 4-6mm
- RIALZARE SIA I MEGNETOTERMICI CHE IL PCO
- COPRIRE TUTTO CON POLICARBONATO
- FORARE IL POLICARBONATO PER PERMETTERE L'ACCESSO AGLI AUTOMATICI E AI TASTI DEL PCO
- MONTARE TR1 SOTTO I MAGNETOTERMICI

				DATE 04/12/2007	LAYOUT				
				DRAW. NC1					
				CHECK FF1					
REV.	MODIFICATIONS	DATE	SIGN.	APPR. IMM				HF620C0746	SHEET 12 OF 13
1		2		3	4	5	6	7	8
								CONTINUE	13

1	2		3	4	5	6	7	8		
MOD.090	Ref-mark	Function	Technical data	Item code	Description	Amount	M.U.	Position		
A	QS	SEZIONATORE GEN.	ABB	OT45E4+0HY2AJ+0XS5X120	SEZIONATORE 4P In= 45A + MANIGLIA + ALBERO	1	PCE	3/A01	A	
	KA3	RELE' ALTA PRESSIONE	FINDER	4052.9024 + 95.05	RELE' 2 CONTATTI BOB. 24V DC + ZOCCOLO	1+1	PCE	5/E04		
B	KM1	TELERUTTORE COMPRESSORE	SIEMENS	3RT1017-1AB01	TELERUTTORE 3P 400V 5,5KW BOB. 24VAC	1	PCE	7/D02	B	
	KM1	CONTATTO AUSILIARIO FRONTALE KM1	SIEMENS	3RH1911-1FA11	CONT.AUSILIARIO FRONTALE 1NO+1NC	1	PCE	7/D02		
	KM2	TELERUTTORE VENTILATORE CONDENSANTE	SIEMENS	3RT1017-1AB01	TELERUTTORE 3P 400V 5,5KW BOB. 24VAC	1	PCE	7/D03		
	QF1	INT. COMPRESSORE	SIEMENS	5SY6-316-7	INT. AUT. 3P C16 6KA	1	PCE	3/B02		
	QF2	INT. VENT, CONDENSANTE	SIEMENS	5SY6 106-7	INT. AUT. 1P C6 6KA	1	PCE	3/B04		
C	-	CASSA QUADRO	HIREF	HF17000024E	CASSA QUADRO REVISIONE E	1	PCE	3/B07	C	
	QF4	INT.PROTEZIONE TRASFORMATORE	SIEMENS	5SY6 102-7	INT. AUT. 1P C2 6KA	1	PCE	4/B02		
	QF5	INT. VENT. EVAPORANTE	SIEMENS	5SY6 216-7	INT. AUT. 2P C16 6KA	1	PCE	4/B05		
D	QF6	INT. SECONDARIO TRASFORMATORE	SIEMES	5SY6 102-7	INT. AUT. 1P C2 6KA	1	PCE	4/B07	D	
	TR1	TRASFORMATORE TOROIDALE X 24VAC	-	-	(DA MONTARE SOTTO I MAGNETOTERMICI) TRASFORMATORE TOROIDALE 230V/24 50VA	1	PCE	4/C02		
	X1	MORSETTIERA BASSA TENSIONE	PHOENIX	30 31 07 6	MORSETTO A MOLLA GRIGIO ST1.5 1.5mm	39	PCE	3/B07		
	-	DIVISORIO	HIREF	HF17000457	DIVISORIO	1	PCE	3/B07		
E	-	COPERTURA IN POLICARBONATO	-	-	COPERTURA IN POLICARBONATO 380X895	1	PCE	3/B07	E	
	X2	MORSETTIERA 230V	PHOENIX	30 31 07 6	MORSETTO A MOLLA GRIGIO ST1.5 1.5mm	8	PCE	3/B07		
	XPE	MORSETTO DI TERRA	-	-	MORSETTO A VITE GIALLO VERDE DA 6mm ²	1	PCE	3/B07		
F			DATE	04/12/2007	LIST OF MATERIALS					F
			DRAW.	INC1						
			CHECK	FF1						
REV.	MODIFICATIONS	DATE	SIGN.	APPR.	IMM	HF620C0746		SHEET 13 OF 13		
1	2	3	4	5	6	7	8	CONTINUE		