



**CARATTERISTICHE ELETTRICHE**  
**ELECTRIC CHARACTERISTIC**

SERIES THX...PC02

MODELL

- THX056-PC02
  - THX073-PC02
  - THX090-PC02
  - THX105-PC02
  - THX120-PC02
  - THX140-PC02
- 400V+N

**ELECTRIC CHARACTERISTIC**

MODELL I NOM.

MODELL	I NOM.

Revisione	Foglio	Oggetto	Data	Responsabile
A	1	ASGIUNTE CONNESSIONI LAN	03/10/2005	POUDO



AGGIUNTE CONNESSIONI LAN	03/10/2005	POUDO	DATA	06/09/2005	SIGN.	P.M.	CONT.	P.M.	APPR.	I.M.M.

REV.	MODIFIED	DATE	SIGN.	SOST. IL:	SOST. DA:

ORIGINE:

HF620C0379

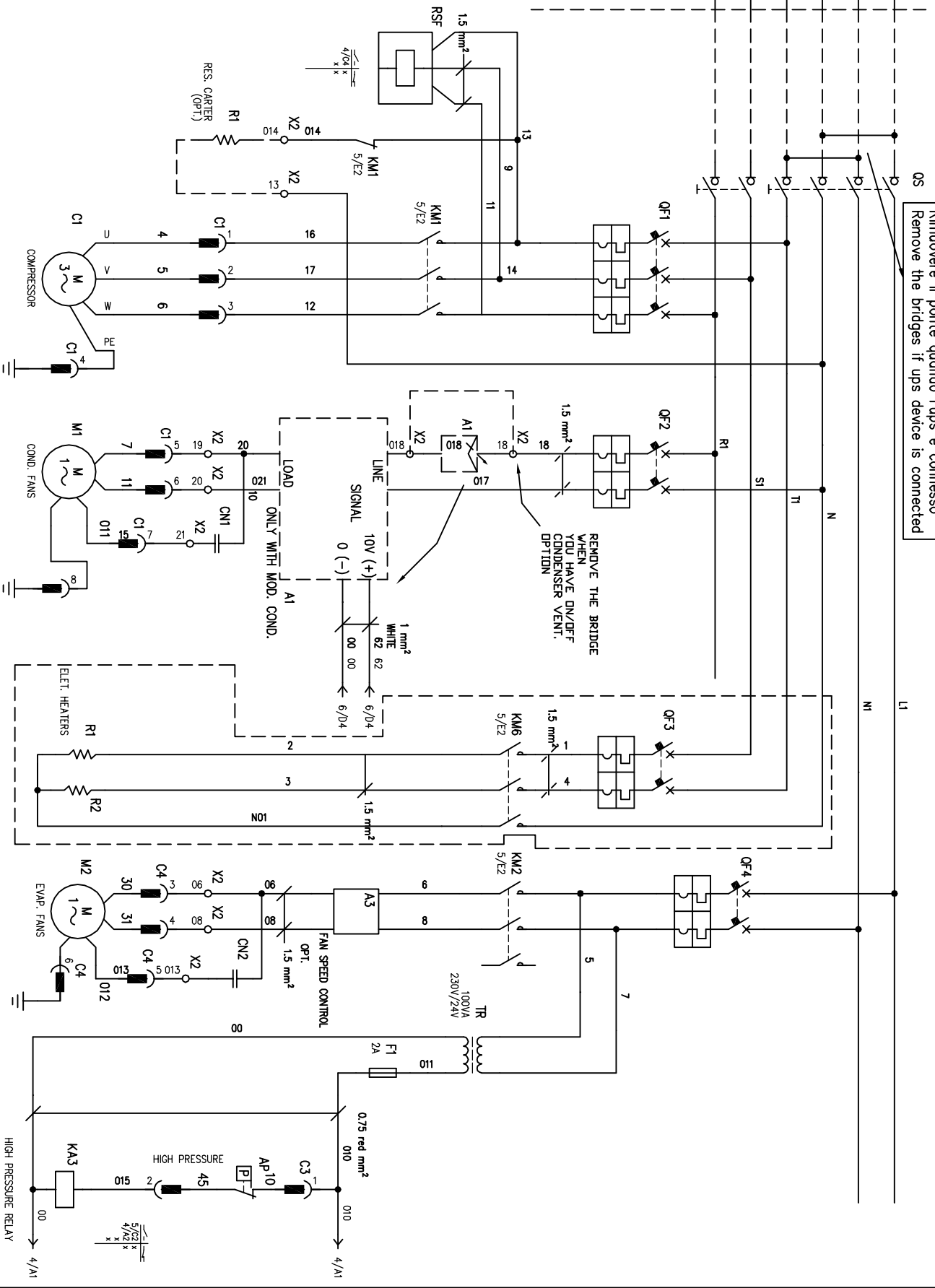
SHEET 1 OF 14

CONTINUE 2



Rimuovere il ponte quando l'ups è connesso  
Remove the bridges if ups device is connected

LIMITE DI FORNITURA  
LIMIT OF EQUIPMENT  
LIMITE D'EQUIPEMENT  
LEFERUNGRENZE  
LIMITE DE SUMINISTRO

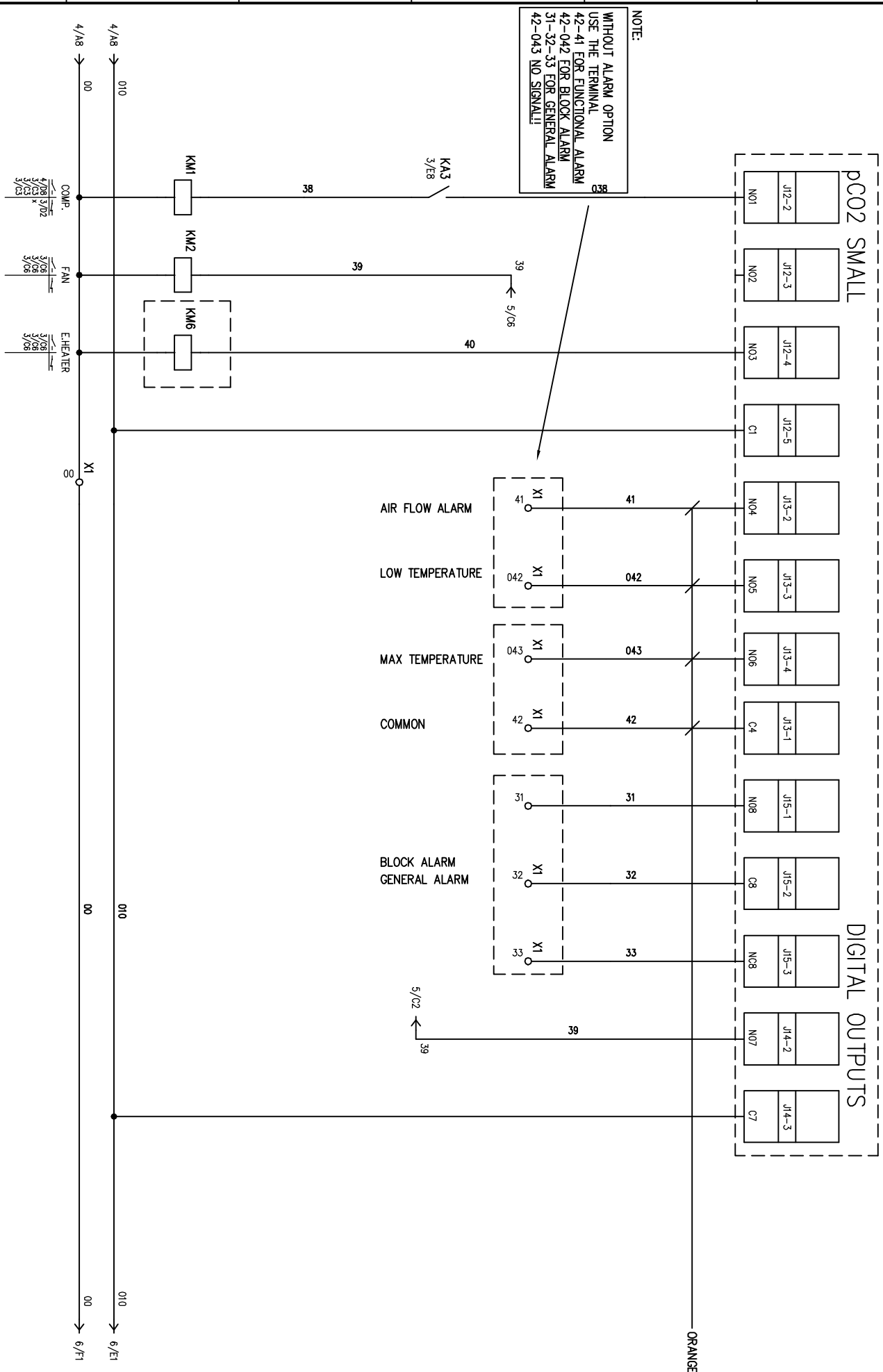


REV.	MODIFIED	DATE	SIGN.	APPR. I.M.M.	SOST. IL:	SOST. DA:	ORIGINE:	HF620C0379	SHEET
1									3 OF 14
2									CONTINUE
3		06/09/2005							
4									
5									
6									
7									
8									





NOTE:  
 WITHOUT ALARM OPTION  
 USE THE TERMINAL  
 42-041 FOR FUNCTIONAL ALARM  
 42-042 FOR BLOCK ALARM  
 31-32-33 FOR GENERAL ALARM  
 42-043 NO SIGNAL!



ORANGE

REV.	MODIFIED	DATE	SIGN.	APPR.	DATE	DATE	DATE	DATE	DATE	DATE	DATE
1											
2											
3											
4											
5											
6											
7											
8											

DATE	06/09/2005
SIGN. P.M.	
CONT. P.M.	
APPR. I.M.M.	

SOST. IL.	SOST. DA.	ORIGINE:
		LENNOX

HF620C0379	SHEET 5 OF 14
	CONTINUE 6















USO INTERNO

1	2	3	4	5	6	7	8
Ref-mark	Function	Technical data	Item code	Description	Amount	M.U.	Position
MOD.056 073							
KA3	TR	100VA	405280230		1		3/C07
QS		ABB/SOCOMECC		0T32E6+MANIGLIA DIRETTA	1	000	3/A02
QF4	EVAP. FANS	AEG/MOELLER	AEGE92C10	PLS6-C10/2 242878	1	PCE	3/B04
QF3	E. HEATERS	AEG/MOELLER	AEGE92C10	PLS6-C10/2 242878	1	PCE	3/B04
QF2	COND. FANS	AEG/MOELLER	AEGE92C10	PLS6-C10/2 242878	1	PCE	3/B04
QF1	COMPRESSOR	AEG/MOELLER	AEGE93C10	PLS6-C10/3 242945	1	PCE	3/B04
KM6	E. HEARTERS	CM&L ARE SOLO ZOCOCULO	553280245000	RELE' 5532 24V	1	PCE	5/E03
KM2	EVAP.	MOELLER/AEG	AEGLS071024/DILEEM-10	51596	1	PCE	5/E03
KM1	COMP.	MOELLER/AEG	AEGLS71024/DILOOAM-10	4852	1	PCE	5/E03

REV.	MODIFIED	DATE	SIGN.	APPR.	SOST. IL.	SOST. DA:	ORIGINE:	HF620C0379	SHEET 12 OF 14
		06/09/2005					LENNOX		CONTINUE 13

1	2	3	4	5	6	7	8
Ref-mark	Function	Technical data	Item code	Description	Amount	M.U.	Position
MOD.090/105 120-145							
KM1	COMP.	MOELLER/AEG	AEG1S17024/DILO0BM-10	44255	1	PCE	5/E03
KM2	EVAP.	MOELLER/AEG	AEG1S41024/DILO0M-10	98717	1	PCE	5/E03
KM6	E. HEATERS		AEG1S41024/DILO0M-10	98717	1	PCE	5/E03
QF1	COMPRESSOR	AEG/MOELLER	AEGE93C16	PLS6-C16/3 242949	1	PCE	3/B04
QF2	COND. FANS	AEG/MOELLER	AEGE92C10	PLS6-C10/2 242878	1	PCE	3/B04
QF3	E. HEATERS	AEG/MOELLER	AEGE92C20	PLS6-C20/2 242881	1	PCE	3/B04
QF4	EVAP. FANS	AEG/MOELLER	AEGE92C10	PLS6-C10/2 242878	1	PCE	3/B04
QS		ABB/SOCOMEK		0745E6 MANIGLIA DIRETTA	1	000	3/A02
TR	230V/24V	100VA			1		3/C07
KA3		FINDER	405280230		1		3/C07

SOLFERINO

USO

INTERNO

REV.	MODIFIED	DATE	SIGN.	APPR.	M.M.	DATE	SIGN.	P.M.	CONT.	P.M.
1						06/09/2005				
				SOST. IL:		SOST. DA:				
				ORIGINE:						
				SHEET		13 OF		14		
				CONTINUE						

HF620C0379

NOTE INTERNE - INTERNAL NOTE

1. PREDISPORRE TUTTI FILI PER L'OPZIONE RESISTENZE (CABLARE ZOCCOLO KM6)
2. PREDISPORRE FILI FS2
3. PREDISPORRE FILI VALVOLA ELETTRONICA EV1
5. LASCIARE LATO POSTERIORE DELLE MORSETTIERE TUTTO LIBERO

		DATE		06/09/2005																			
		SIGN.		P.M.																			
		CONT.		P.M.																			
		APPR.		I.M.																			
REV.		MODIFIED		DATE		SIGN.		APPR.		I.M.		SOST. IL:		SOST. DA:		ORIGINE:		LENNOX		HF620C0379		SHEET 14 OF 14	
1		2		3		4		5		6		7		8									