



CARATTERISTICHE ELETTRICHE
ELECTRIC CHARACTERISTIC

SERIES HTD-U...PC02 THD-U...PC02

MODELL	I NOM.
THD-U056-PC02	
THD-U073-PC02	
THD-U090-PC02	
THD-U105-PC02	
THD-U120-PC02	
THD-U150-PC02	
THD-U170-PC02	
400V+N	

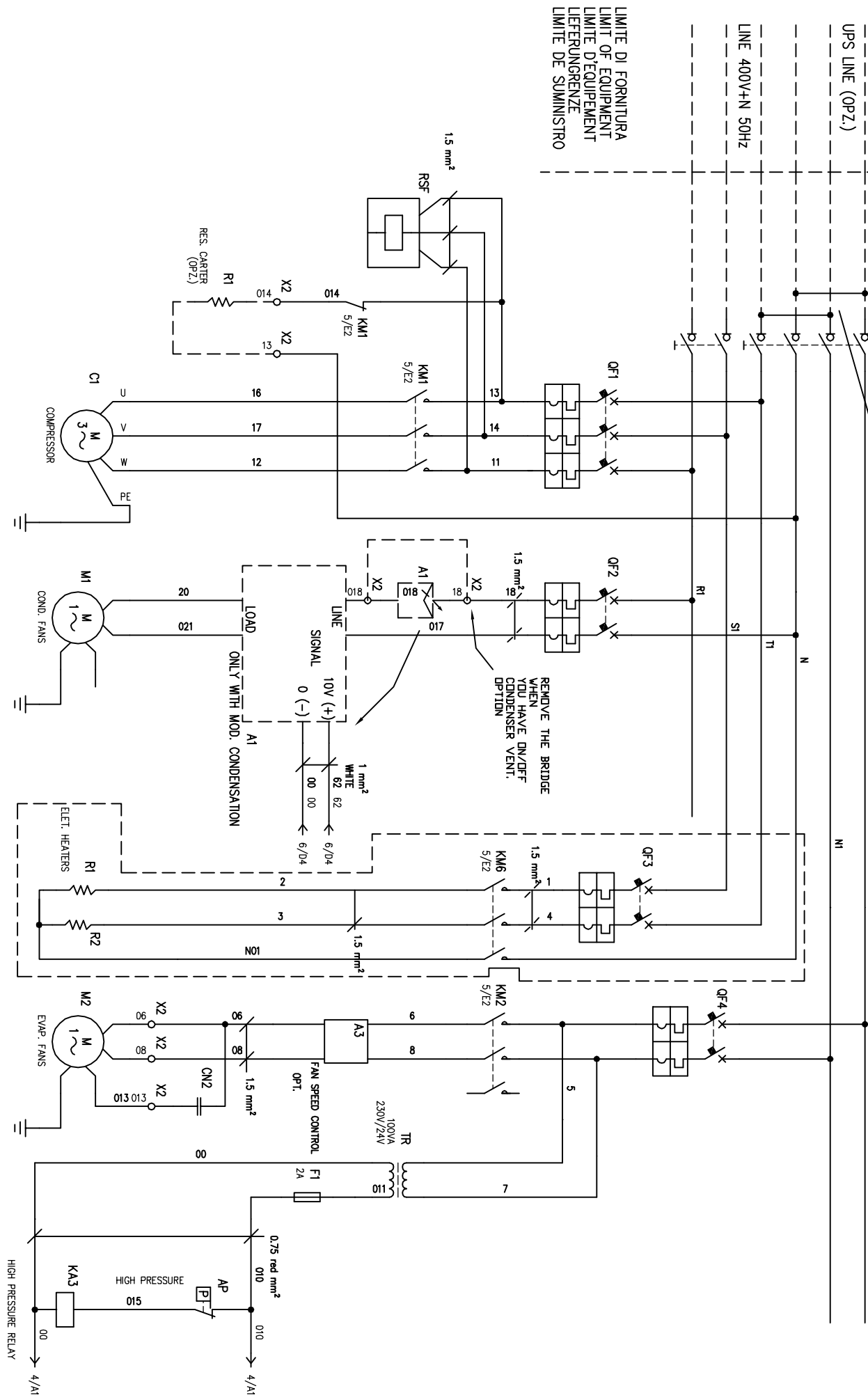
ELECTRIC CHARACTERISTIC	
MODELL	I NOM.

REV.	MODIFIED	DATE	SIGN.	APPR.	POUIDO	SOST. IL:	SOST. DA:	ORIGINE:	SHEET	OF	13
											2
									HF62000366		

1	2	3	4	5	6	7	8
Symbol	Description	Note	Position	Symbol	Description	Note	Position
AP	PRESSOSTATO DI ALTA HIGH PRESSURE P-STAT PRESSOSTAT HAUTE PRESSION DRUCKSCHALTER, HOCHDRUCK PRESSOSTATO DE ALTA		5/B04	KA1	RELE PRESENZA TENSIONE		
KA3	RELE ALTA HI-PRESSURE RELAYS HAUTE PRESSION RELE D'HAUTE PRESSION RELE DE ALTA		5/E04	SR1	SERRANDA DAMPER REGISTRE MOTORISANTE COMPLETTA		6/302
KA1	CONVIACTORE MOTOVENTILATORE FAN MOTOR CONECTOR CONTACTEUR VENTILATEUR CONVIACTOR SCHUTZ CONVIACTOR DEL MOTOVENTILADOR		5/E04	FS1	PRESSOSTATO FLUSSO ARIA AIR FLOW PRESSURE SWITCH PRESSOST. D'ENCRASSEMENT DE FILTRE DRUCKSCHALTER NIEDERDRUCK PRESSOSTATO DE BAJA		6/A03
KA6	RISCALDAMENTO ELETTRICO EL. HEATERS CHAUFFAGE ELECTRIQUE ELETR. HAZUNG RESISTENCIAS ELECTRICAS		3/E03	TP1	TEMOSTATO SICUREZZA RISCALDAMENTO HEATING SAFETY THERMOSTAT THERMOSTAT DE SECURITE CHAUFFAGE THERMOSTATE ELEKTROHEIZUNG TEMOSTATO DE SEGURIDAD DE LAS RESISTENCIAS		4/B05
CI	COMPRESSORE COMPRESSOR COMPRESSEUR COMPRESOR			PI	PRESSIONE CONDENSATION CONDENSING PRESSION SENSOR SONDE DU PRESSION DE CONDENSATION KONDENSATIONSDRUCK-SENSIBLER SONDA PRESSION CONDENSACION		6/B06
TR	TRASFORMATORE TRANSFORMER TRANSFORMATEUR TRANSOMADOR		3/C06	SA	TEMPERATURA AMBIENTE INTERNO SHELTER INTERNAL AIR TEMPERATURE SENSOR SONDE TEMPERATURE D'AIR INTERIEUR SÜSSER LUFTTEMP.-FILTER SONDA DE TEMPERATURA DE LA DESCARGA DE AIRE		6/B05
OS	INTERUTTORE GENERALE MAIN SWITCH INTERRUPTEUR GENERAL HAUPTSCHALTER INTERRUPTOR GENERAL		3/A02	SM	TEMPERATURA ARIA IN MANDATA DISCHARGE AIR TEMPERATURE SONDE DE TEMPERATURE ZULUFTTEMPERATUR TEMP. DE LA DESCARGA DE AIRE		6/B07
M1	MOTOVENTILATORE CONDENSANTE CONDENSER FAN MOTOR MOTEUR VENTILATEUR DE COND. KONDENSATOR-LUEFTER MOTOVENTILADOR CONDENSADORA			SE	TEMPERATURA ARIA ESTERNA OUTDOOR AIR SENSOR SONDE D'AIR EXTERNE AUSSENLUFTUEHLER SONDA DE AIRE EXTERNA		6/B08
M2	MOTOVENTILATORE EVAPORANTE EVAP. FAN MOTOR MOTEUR VENTILATEUR DE EVAP. EVAP.-LUEFTER MOTOVENTILADOR EVAPORADORA		4/E05	BP	PRESSOSTATO DI BASSA LOW PRESSURE P-STAT PRESSOSTAT BASSE PRESSION DRUCKSCHALTER NIEDERDRUCK PRESSOSTATO DE BAJA		
ON2	CONDENSATORE CAPACTOR CONDENSATEUR CONDENSATOR CONDENSADORE			A1	REGOLATORE DI VELOCITA' SPEED CONTROLLER REGULATEUR DE VITESSE REGULADOR/DRHTZ/ANLEGER REGULADOR VELOCIDAD		
ON1	CONDENSATORE CAPACTOR CONDENSATEUR CONDENSATOR CONDENSADORE			A2	REGOLATORE DI VELOCITA' SPEED CONTROLLER REGULATEUR DE VITESSE VENTILATOR/DRHTZ/ANLEGER REGULADOR VELOCIDAD		

1	2	3	4	5	6	7	8
REV.	MODIFIED	DATE	SIGN	APPR.	POUIDO	SOST. IL.	SOST. DA.
				DATA: 06/09/2005			
				SIGN. POUIDO			
				CONT. POUIDO			
				ORIGINE:		LENNOX	
				SHEET 2 OF 13		HF620C0366	
				CONTINUE		3	

Rimuovere il ponte quando l'ups è connesso
Remove the bridges if ups device is connected



LIMITE DI FORNITURA
LIMIT OF EQUIPMENT
LIMITE D'EQUIPEMENT
LIEFERUNGRENZE
LIMITE DE SUMINISTRO

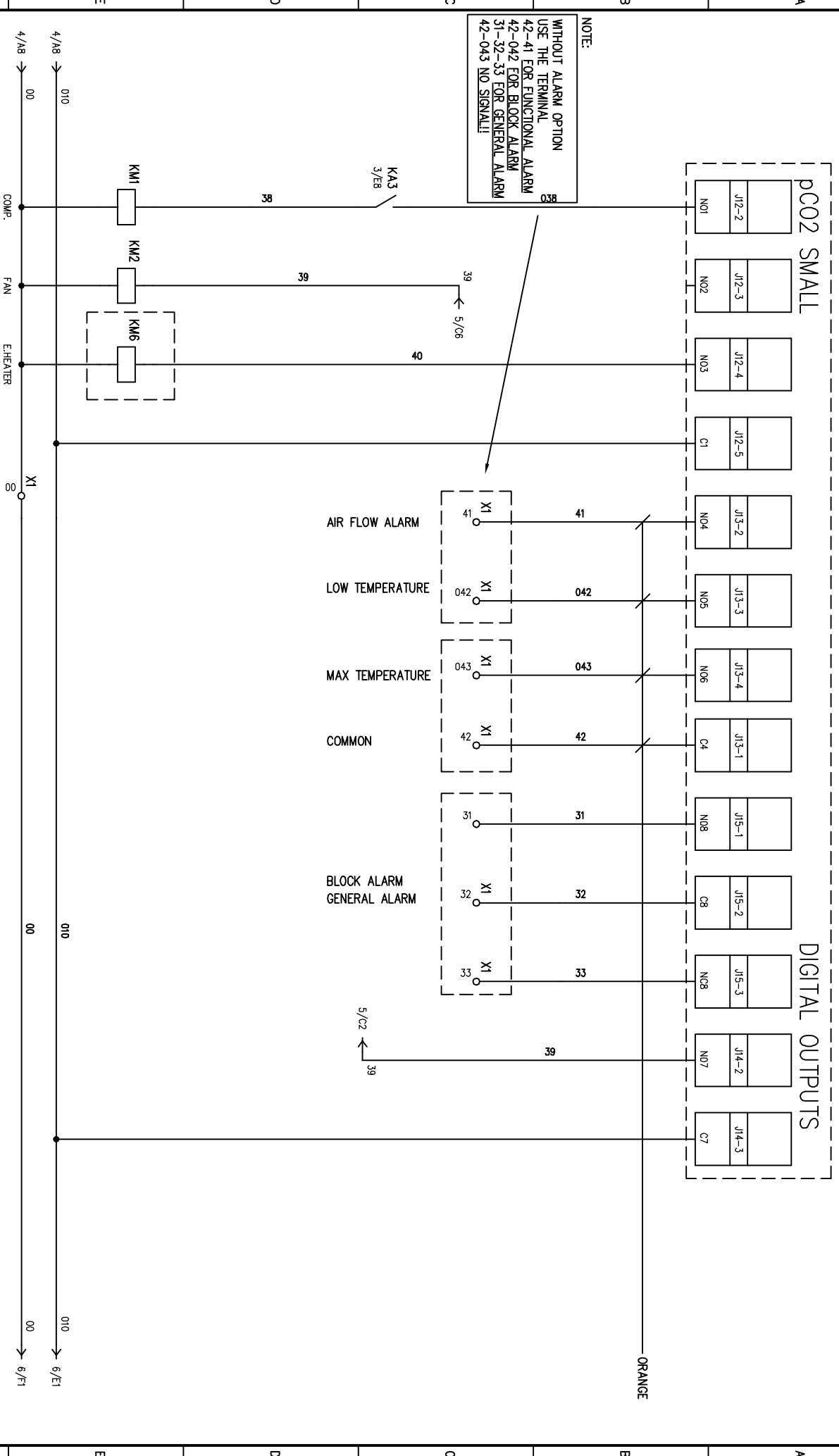
REMOVE THE BRIDGE
WHEN YOU HAVE ON/OFF
CONDENSER VENT.
OPTION

ONLY WITH MOD. CONDENSATION

HIGH PRESSURE RELAY

REV.		MODIFIED		DATE		SIGN.		APPR.		POLIDO		SOST. IL.		SOST. DA.		ORIGINE:		LENNOX		HF620C0366		SHEET 3 OF 13	
1																						CONTINUE	
F		E		D		C		B		A		1		2		3		4		5		6	

NOTE:
 WITHOUT ALARM OPTION
 USE THE TERMINAL
 42-41 FOR FUNCTIONAL ALARM
 42-042 FOR BLOCK ALARM
 31-32-33 FOR GENERAL ALARM
 42-043 NO SIGNAL!!



PCO2 SMALL

DIGITAL OUTPUTS

ORANGE

REV.	MODIFIED	DATE	SIGN.	APPR.	DATE	SIGN.	APPR.	DATE	SIGN.	APPR.
1										
2										
3										
4										
5										
6										
7										
8										



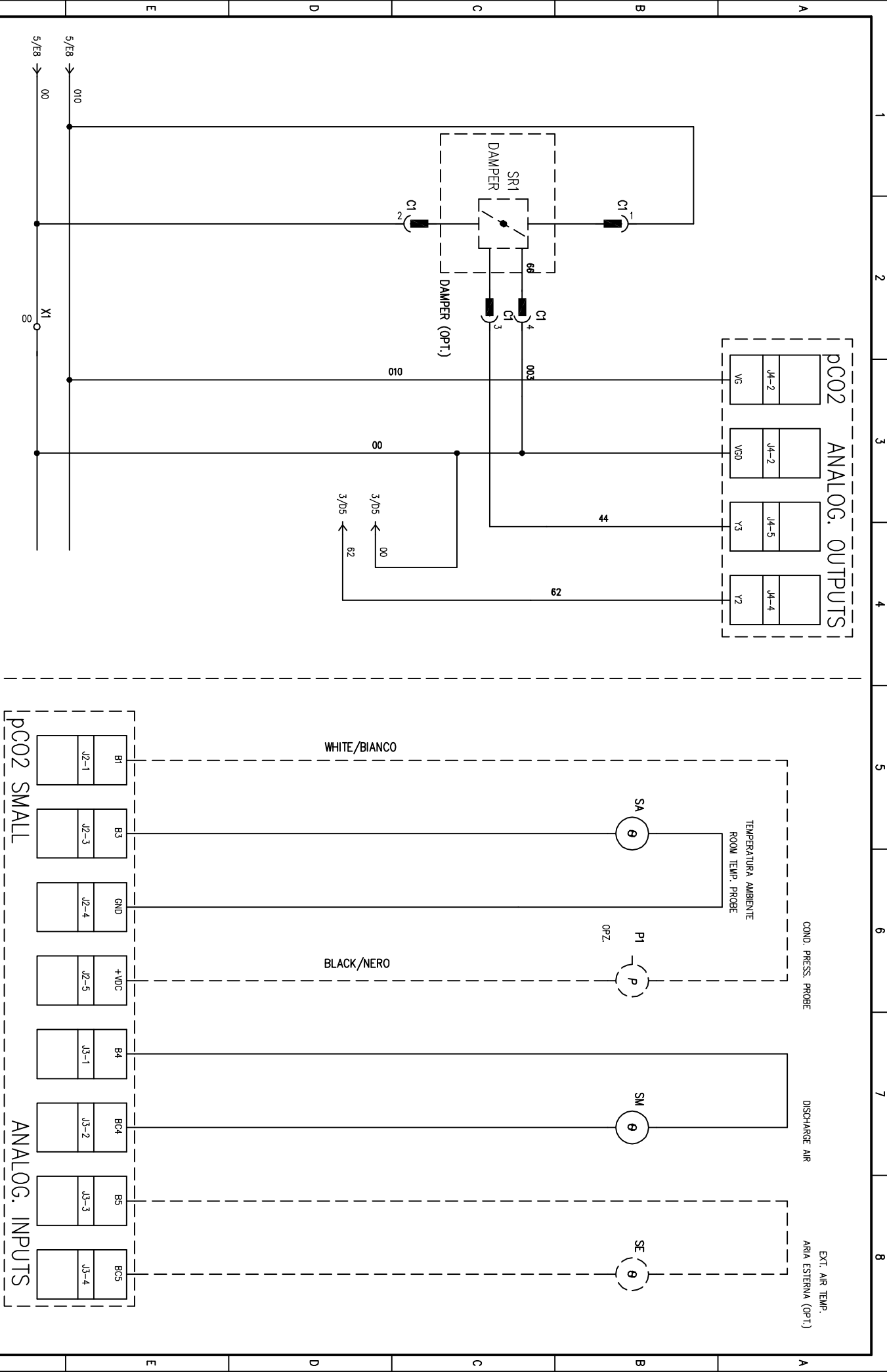
DATE: 06/09/2005
 SIGN: POLDO
 CONT: POLDO
 APPR: POLDO

SOST. IL: _____ SOST. DA: _____

ORIGINE: _____

HF62000366

SHEET 5 OF 13
 CONTINUE



REV.	MODIFIED	DATE	SIGN.	APPR.	SOST. IL.	SOST. DA:	ORIGINE:	LENNOX		HF620C0366		SHEET
1												6 OF 13
												7
												CONTINUE

pc02 ANALOG. INPUTS

pc02 ANALOG. OUTPUTS

WHITE/BIANCO

BLACK/NERO

EXT. AIR TEMP.
ARIA ESTERNA (OPT.)

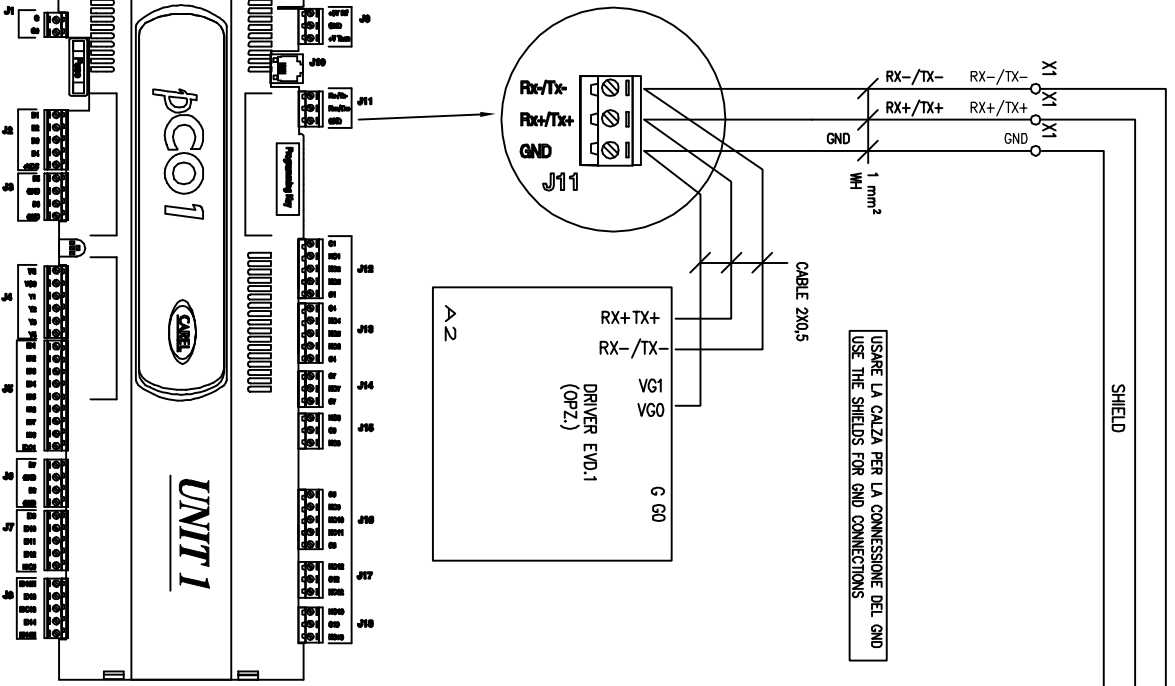
COND. PRESS. PROBE

TEMPERATURA AMBIENTE
ROOM TEMP. PROBE

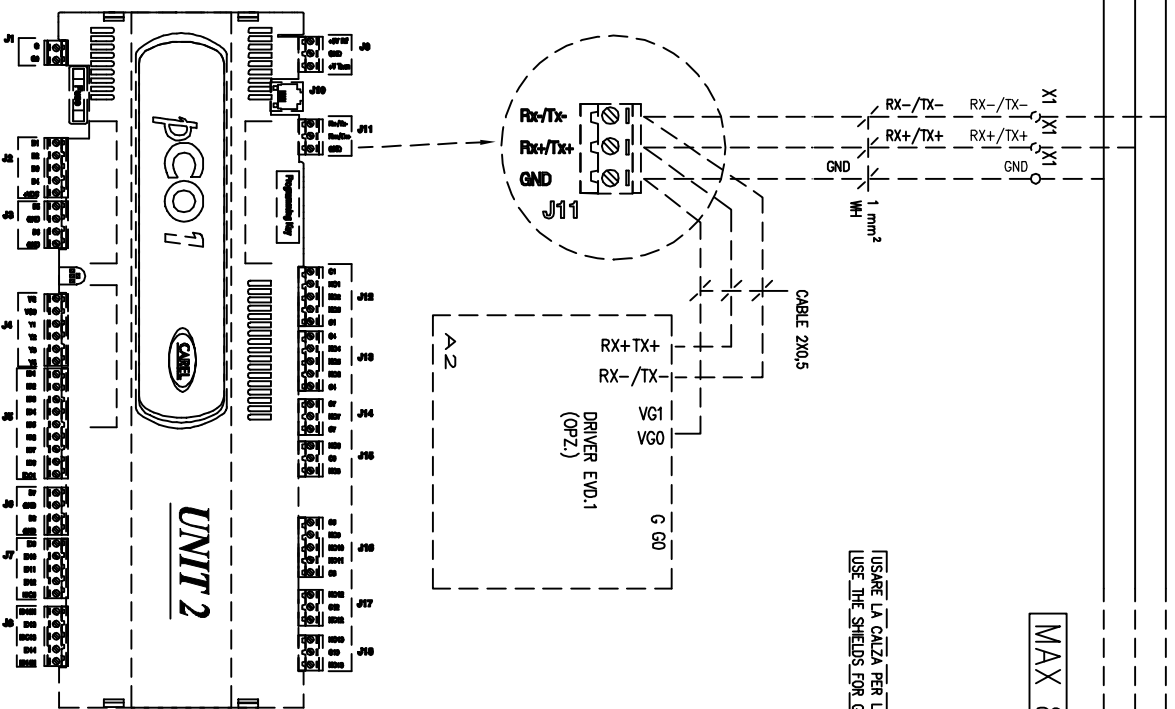
DISCHARGE AIR

pc02 SMALL

LAN CONNECTIONS



USARE LA CALZA PER LA CONNESSIONE DEL GND
USE THE SHIELDS FOR GND CONNECTIONS

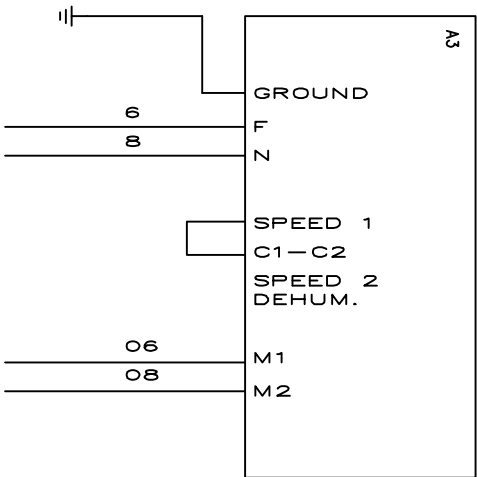


USARE LA CALZA PER LA CONNESSIONE DEL GND
USE THE SHIELDS FOR GND CONNECTIONS

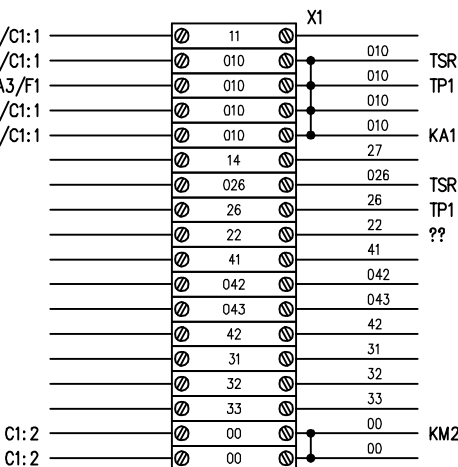
MAX 8 UNITS

REV.	1	2	3	4	5	6	7	8
MODIFIED								
DATE								
SIGN.								
CONIT.								
APPR.								
DATA	06/09/2005							
SIGN.	POLIDO							
CONIT.	POLIDO							
APPR.	POLIDO							
SOST. IL.								
SOST. DA.								
ORIGINE:	LENNOX							
HF62000366								
SHEET	7 OF 13							
CONTINUE								

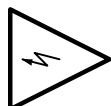
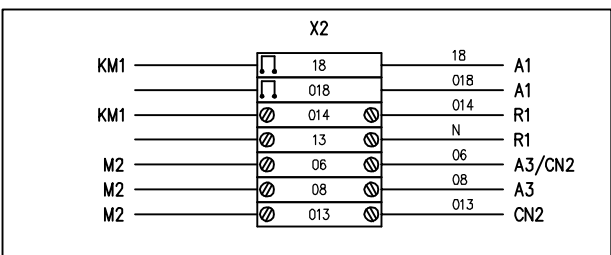
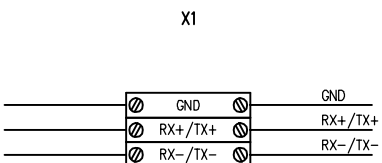
FANS SPEED CONTROL



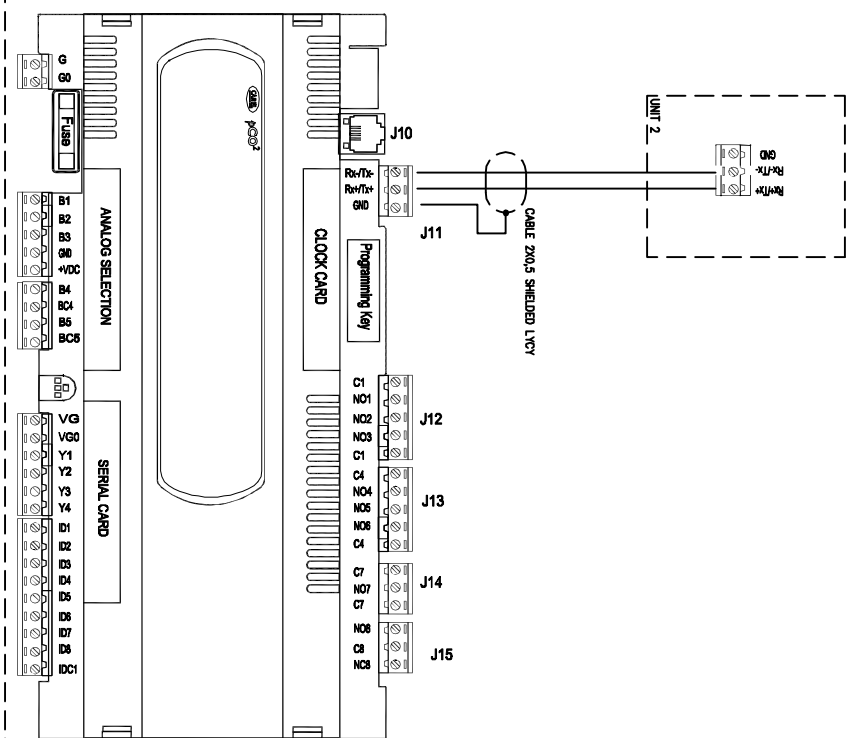
MORSETTIERA
TERMINAL STRIP
BORNIER
KLEMMLEISTE



??/KA3/F1/C1:1
??/KA3/F1/C1:1
C1:1/??/KA3/F1
??/KA3/F1/C1:1
??/KA3/F1/C1:1



LAYOUT PLAN



CONNECTORS PHOENIX SERIE COMBICON 5,08 mm. COLOR GREEN TYPE MSTB 2,5 :

STG	POLES	TYPE	CODE	STG	POLES	TYPE	CODE
J1	2	2,5/2-ST	17 57 01 9	J11	3	2,5/3-ST	17 57 02 2
J2	5	2,5/5-ST	17 57 04 8	J12	5	2,5/5-ST	17 57 04 8
J3	4	2,5/4-ST	17 57 03 5	J13	5	2,5/5-ST	17 57 04 8
J4	6	2,5/6-ST	17 57 05 1	J14	3	2,5/3-ST	17 57 02 2
J5	9	2,5/9-ST	17 57 08 0	J15	3	2,5/3-ST	17 57 02 2
J9	3	2,5/3-ST	17 57 02 2				

REV.	1	MODIFIED	DATE	2	SIGN.	APPR.	POUIDO	SOST. IL.	SOST. DA.	ORIGINE:	LENNOX	SHEET	8 OF 13
DATA	06/09/2005	SIGN.	POUIDO	CONT.	POUIDO	SOST. IL.	SOST. DA.	ORIGINE:	LENNOX	HF62000366	SHEET	8 OF 13	

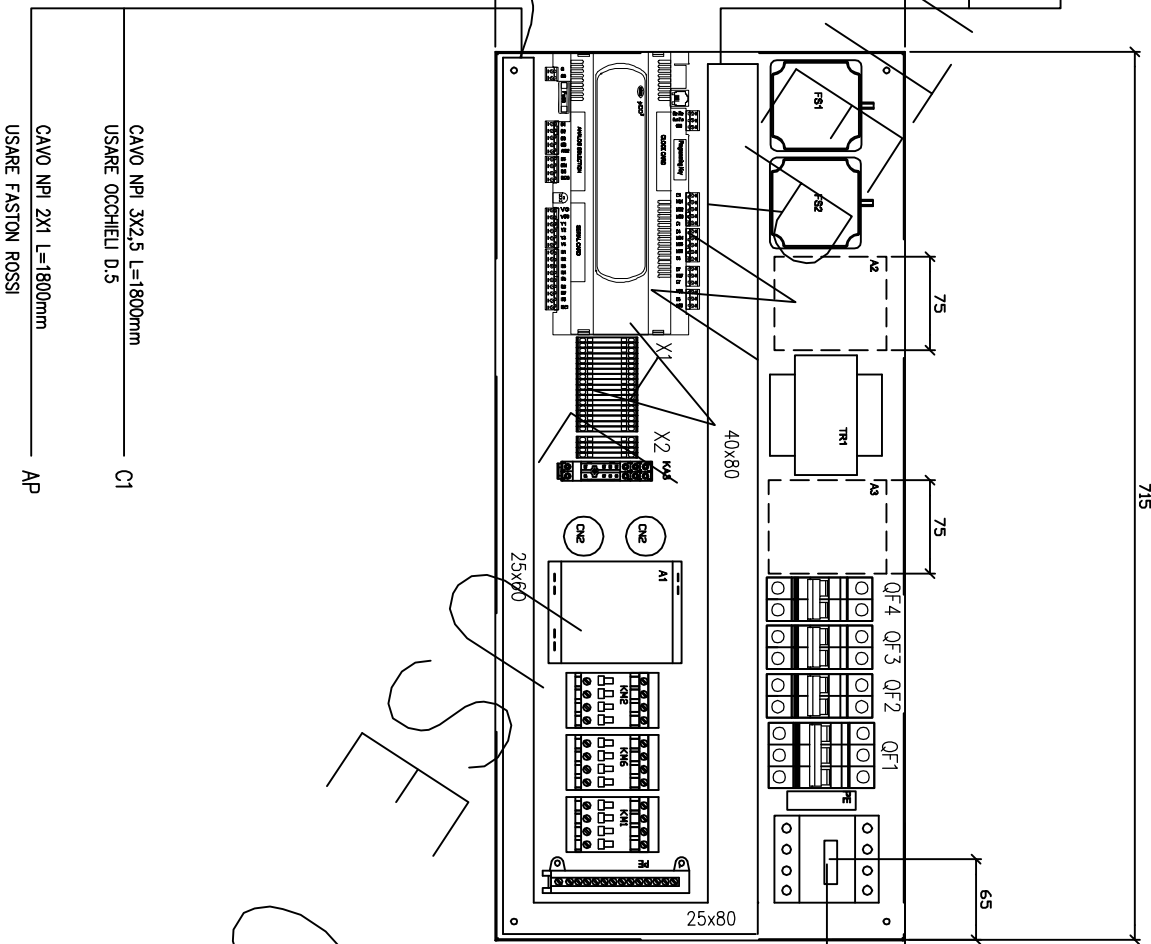
MOD. 056-073

715

TP1 CAVO NPI 3X2.5 L=1000mm
USARE FASTON ROSSI

R1 CAVO NPI 3X2.5 L=1000mm
USARE PUNTALINI

L=150mm



PIASTRA DI FONDO HF17000386

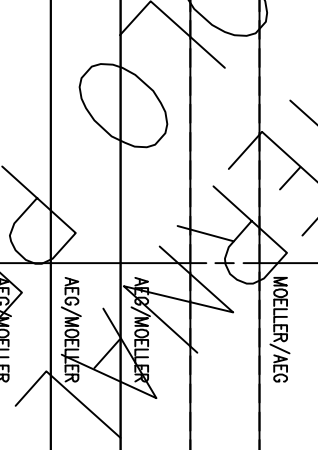
SAFE ONLY

CAVO NPI 3X2.5 L=1800mm
USARE OCCHIELLI D.5 C1

CAVO NPI 2X1 L=1800mm
USARE FASTON ROSSI AP

REV.	MODIFIED	DATE	SIGN.	APPR.	POILDO	SOST. IL.	SOST. DA.	ORIGINE:	LENNOX	HF62000386	SHEET	9 OF 13
											CONTINUE	10

F 1 2 3 4 5 6 7 8

1	2	3	4	5	6	7	8
Ref-mark	Function	Technical data	Item code	Description	Amount	M.U.	Position
MOD.090/105 120-150-170							
KM1	COMP.	MOELLER/AEG	AEG.S171024/DIL00BM-10	44255	1	PCE	5/E03
KM2	EVAP.	MOELLER/AEG	AEG.S41024/DIL00M-10	98717	1	PCE	5/E03
KM6	E. HEATERS		AEG.S41024/DIL00M-10	98717	1	PCE	5/E03
QF1	COMPRESSOR	AEG/MOELLER	AEGE93C16	PLS6-C16/3 242949	1	PCE	3/B04
QF2	COND. FANS	AEG/MOELLER	AEGE92C10	PLS6-C10/2 242878	1	PCE	3/B04
QF3	E. HEATERS	AEG/MOELLER	AEGE92C20	PLS6-C20/2 242881	1	PCE	3/B04
QF4	EVAP. FANS	AEG/MOELLER	AEGE92010	PLS6-C10/2 242878	1	PCE	3/B04
OS		ABB		0145E6	1	000	3/A02
TR	230V/24V	100VA			1		3/C07
KA3		FINDER	405280230		1		3/C07
<p>SOLO  USST INTERNO</p>							
DATE: 06/09/2005		SIGN: POLIDO		SOST. IL:		SOST. DA:	
CONTI. POLIDO		APPR. POLIDO		ORIGINE:		LENNOX	
REV. 1		MODIFIED		DATE		SIGN	
1		2		3		4	
5		6		7		8	
HF620C0366		SHEET 12 OF 13		CONTINUE			

