



CARATTERISTICHE ELETTRICHE ELECTRIC CHARACTERISTIC

Revisione	Foglio	Oggetto	Data	Responsabile
A	1	AGGIUNTO COLLEGAMENTO LAN	03/10/2005	POLUO

SERIES	MODEL
TH1.....PC02	TH1045-PC02 TH1056-PC02 TH1073-PC02 TH1090-PC02 TH1105-PC02 230V

ELECTRIC CHARACTERISTIC	
MODEL	I NOM.
TH1045	13A
TH1056	22A
TH1073	22A
TH1090	22A
TH1105	22A

REV.	AGGIUNTO COLLEGAMENTO LAN	03/10/2005	POLUO	DATE	12/10/2004	SIGN.	CONT.	APPR.	SOST. IL:	SOST. DA:	ORIGINE:	HF620C0251	SHEET	1 OF 13
1	MODIFIED	DATE	SIGN.	APPR.									CONTINUE	2

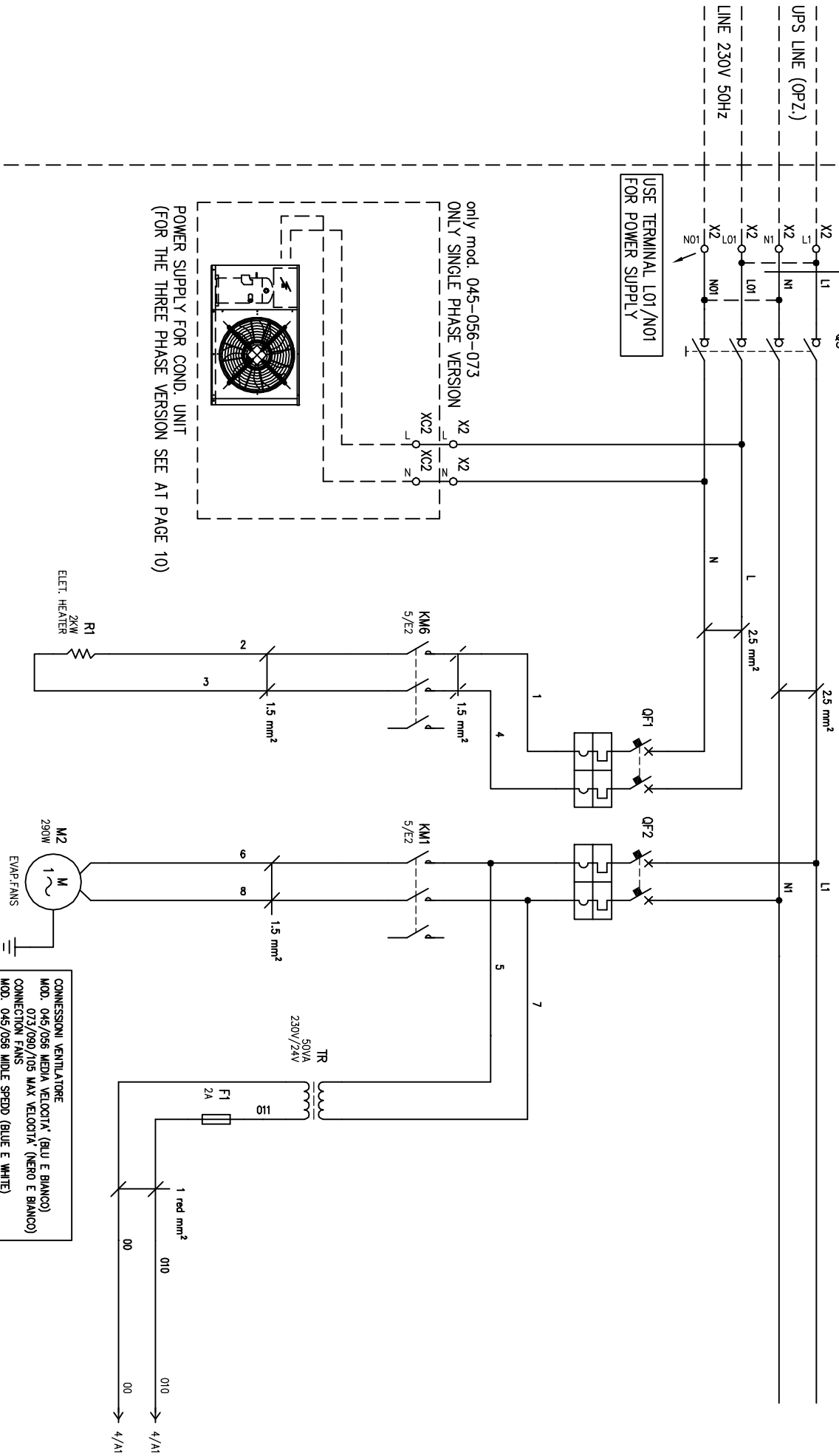


LIMITE DI FORNITURA
 LIMIT OF EQUIPMENT
 LIMITE D'EQUIPEMENT
 LIEFERUNGSGRENZE
 LIMITE DE SUMINISTRO

Rimuovere il ponte quando l'ups è connesso
 Remove the bridges if ups device is connected

USE TERMINAL L01/N01
 FOR POWER SUPPLY

only mod. 045-056-073
 ONLY SINGLE PHASE VERSION
 POWER SUPPLY FOR COND. UNIT
 (FOR THE THREE PHASE VERSION SEE AT PAGE 10)

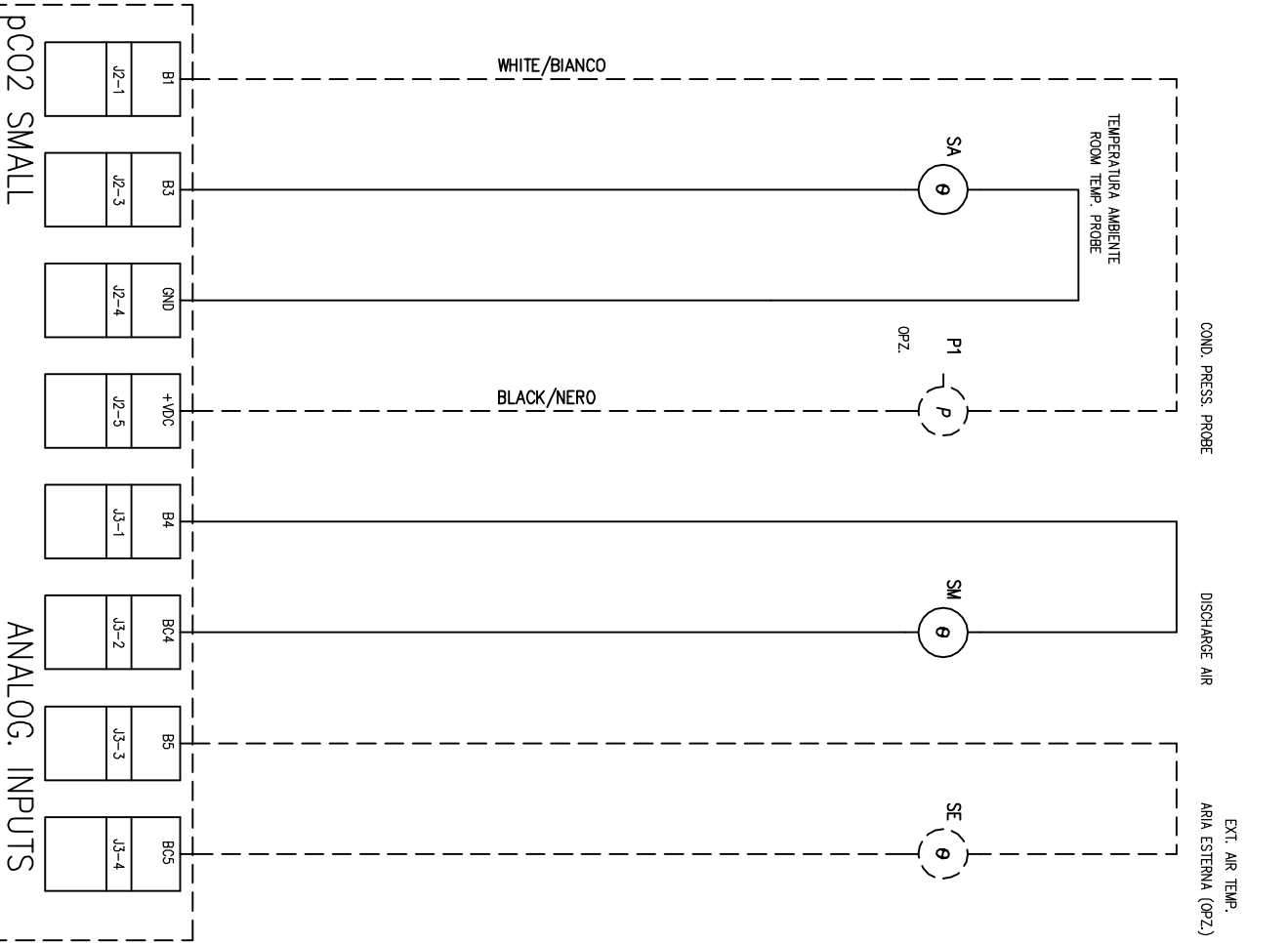
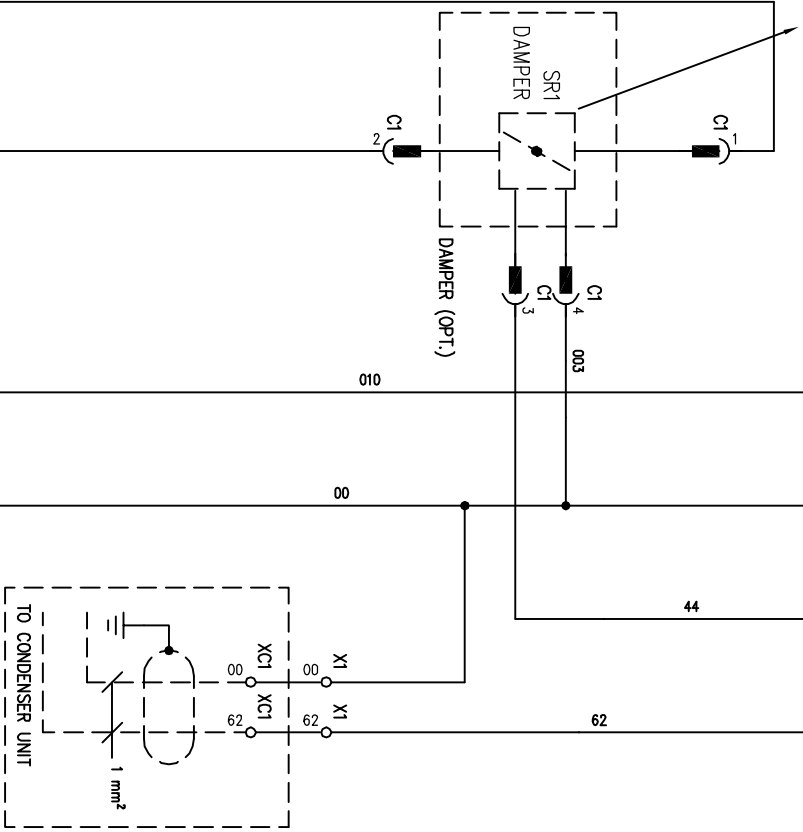
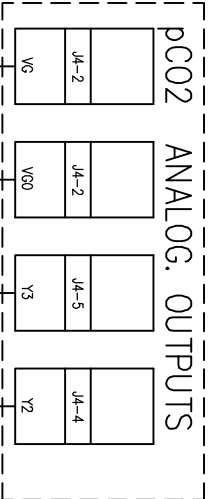


CONNESSIONI VENTILATORE
 MOD. 045/056 MEDIA VELOCITA' (BLU E BIANCO)
 MOD. 073/090/105 MAX VELOCITA' (NERO E BIANCO)
 CONNECTION FANS
 MOD. 045/056 MIDDLE SPEED (BLUE E WHITE)
 MOD. 073/090/105 MAX SPEED (BLACK E WHITE)

REV.	MODIFIED	DATE	SIGN.	APPR.	DATE	SIGN.	APPR.	SOST. IL:	SOST. DA:	ORIGINE:	SHEET	OF
1					12/10/2004					LENNOX	3	13
											CONTINUE	4

HF620C0251

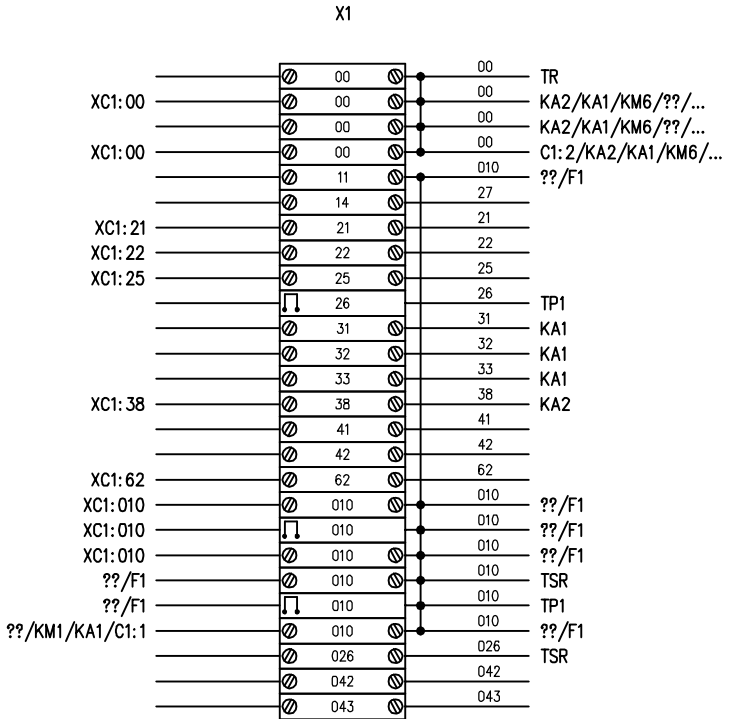
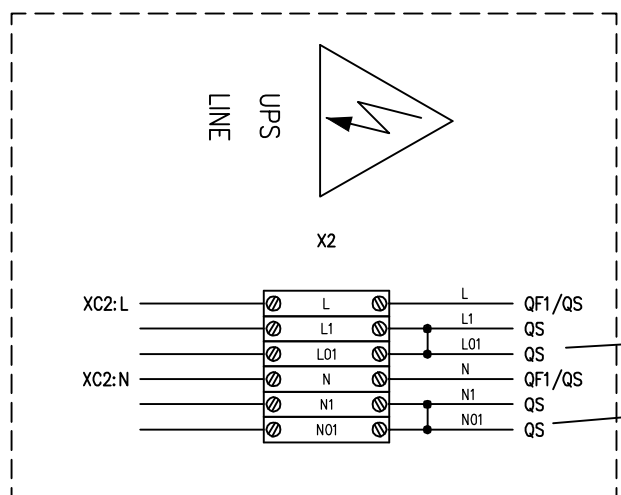
RETURN SPRING DAMPER CONNECTION	
010 WITH RED WIRE	010 CON FILLO ROSSO
00 WITH WHITE WIRE	00 CON FILLO BIANCO
44 WITH 3 WIRE	44 CON FILLO 3
003 WITH 5 WIRE	003 CON FILLO 5
0-10V MOD. DAMPER	
010 IN N°2 BLOCK	010 NEL MORS. N°2
00 IN N°1 BLOCK	00 NEL MORS. N°1
44 IN N°3 BLOCK	44 NEL MORS. N°3
003 IN N°4 BLOCK	003 NEL MORS. N°4



REV.	1	MODIFIED	2	DATE		SIGN.		APPR.		SOST. IL:		SOST. DA:		ORIGINE:		DATE	12/10/2004	SIGN.		CONTI.	
LENNOX															HF620C0251		SHEET 6 OF 13				
																	CONTINUE		7		

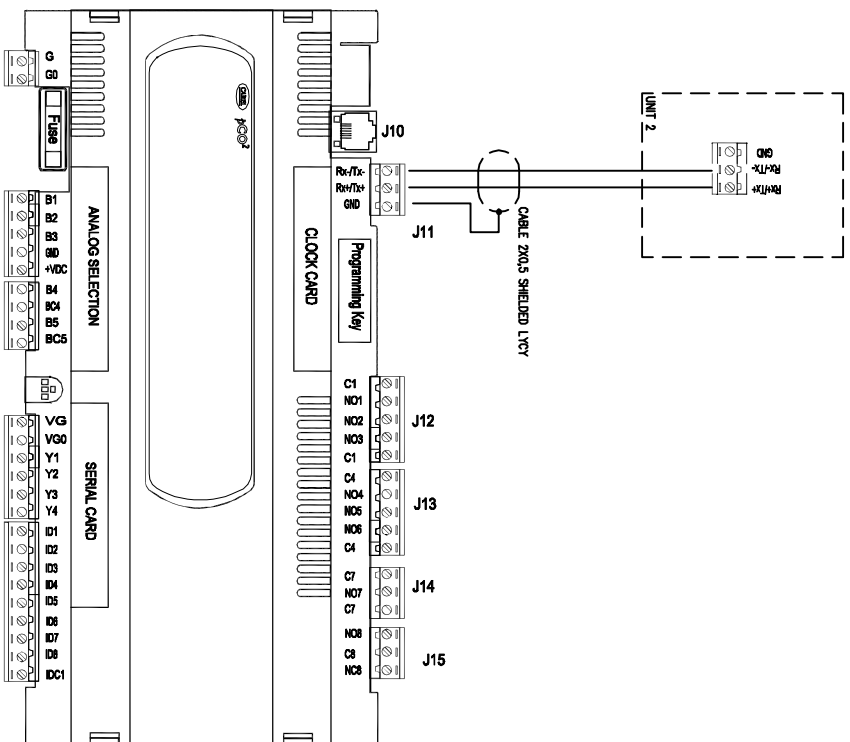
MORSETTIERA
TERMINAL STRIP
BORNIER
KLEMMLEISTE

Rimuovere il ponte quando l'ups è connesso
Remove the bridges if ups device is connected



TERMINAL STRIP DESCRIPTION	XC Outdoor unit terminal strip
X Indoor unit terminal strip	
X1=Terminal strip for aux. 24V	XC1=Terminal strip for aux. 24V
X2=Terminal strip for 230V	XC2=Terminal strip for 230V

LAYOUT PLAN

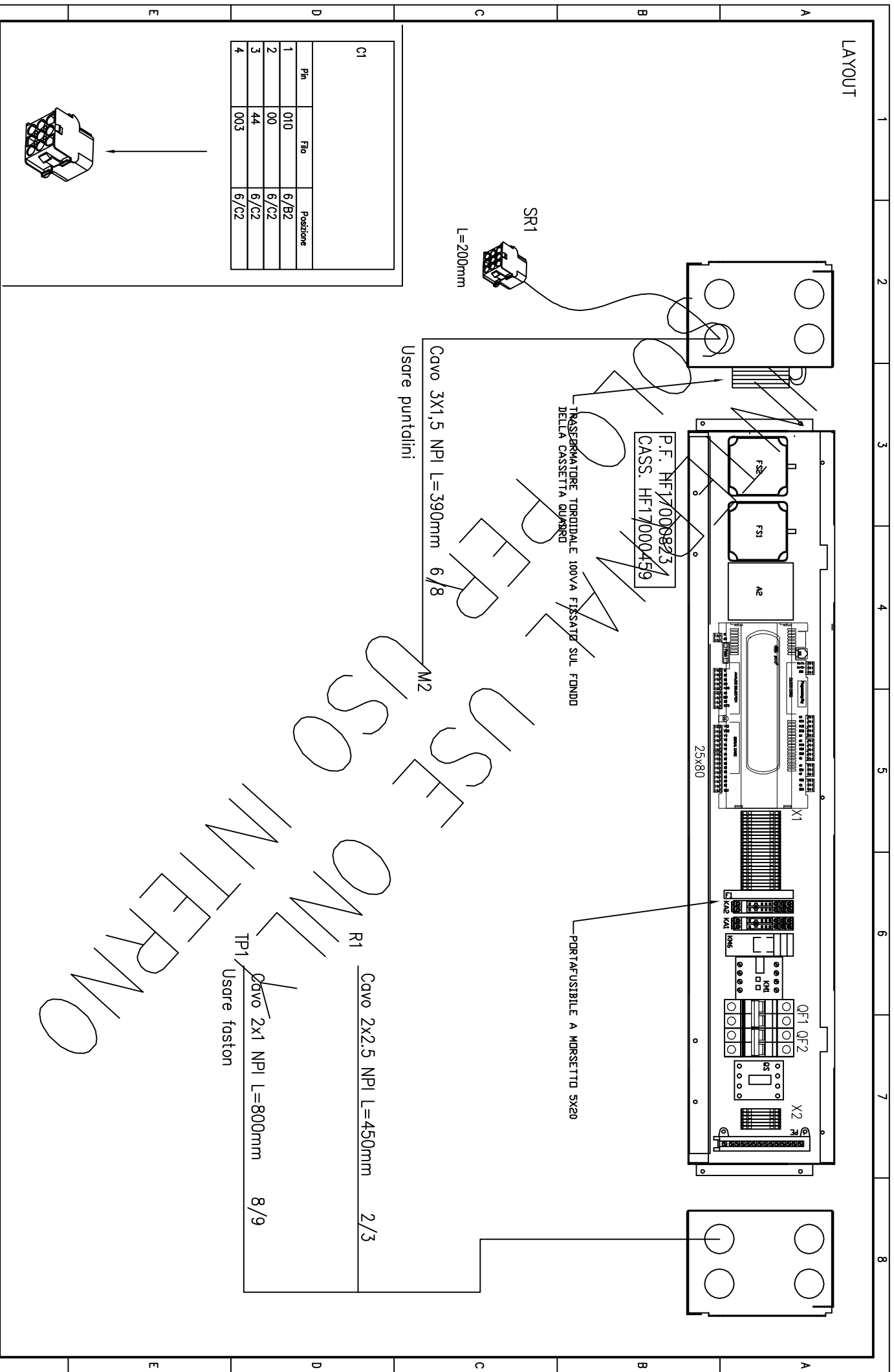


CONNECTORS PHOENIX SERIE COMBICON 5.08 mm. COLOR GREEN TYPE MSTB 2,5 :

STG.	POLES	TYPE	CODE	STG.	POLES	TYPE	CODE
J1	2	2,5/2-ST	17 57 01 9	J11	3	2,5/3-ST	17 57 02 2
J2	5	2,5/5-ST	17 57 04 8	J12	5	2,5/5-ST	17 57 04 8
J3	4	2,5/4-ST	17 57 03 5	J13	5	2,5/5-ST	17 57 04 8
J4	6	2,5/6-ST	17 57 05 1	J14	3	2,5/3-ST	17 57 02 2
J5	9	2,5/9-ST	17 57 08 0	J15	3	2,5/3-ST	17 57 02 2
J9	3	2,5/3-ST	17 57 02 2				

REV.	DATE	SIGN.	APPR.	DATE	SIGN.	CONT.	APPR.	SOST. IL.	SOST. DA:	ORIGINE:
1	MODIFIED			12/10/2004						LENNOX
2	DATE	SIGN.								
3										
4										
5										
6										
7										
8										

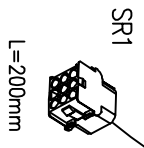
LAYOUT



P.F. HF17009823
CASS. HF17000459

TRASFORMATORE TOROIDALE 100VA FISSATO SUL FONDO DELLA CASSETTA QUADRO

PORTAFUSIBILE A MORSETTO 5X20

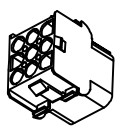


L=200mm

Cavo 3X1,5 NPI L=390mm 6/8
Usare puntalini

C1

Pin	Filo	Posizione
1	010	6/B2
2	00	6/C2
3	44	6/C2
4	003	6/C2



R1 Cavo 2x2,5 NPI L=450mm 2/3

TP1 Cavo 2x1 NPI L=800mm 8/9
Usare faston

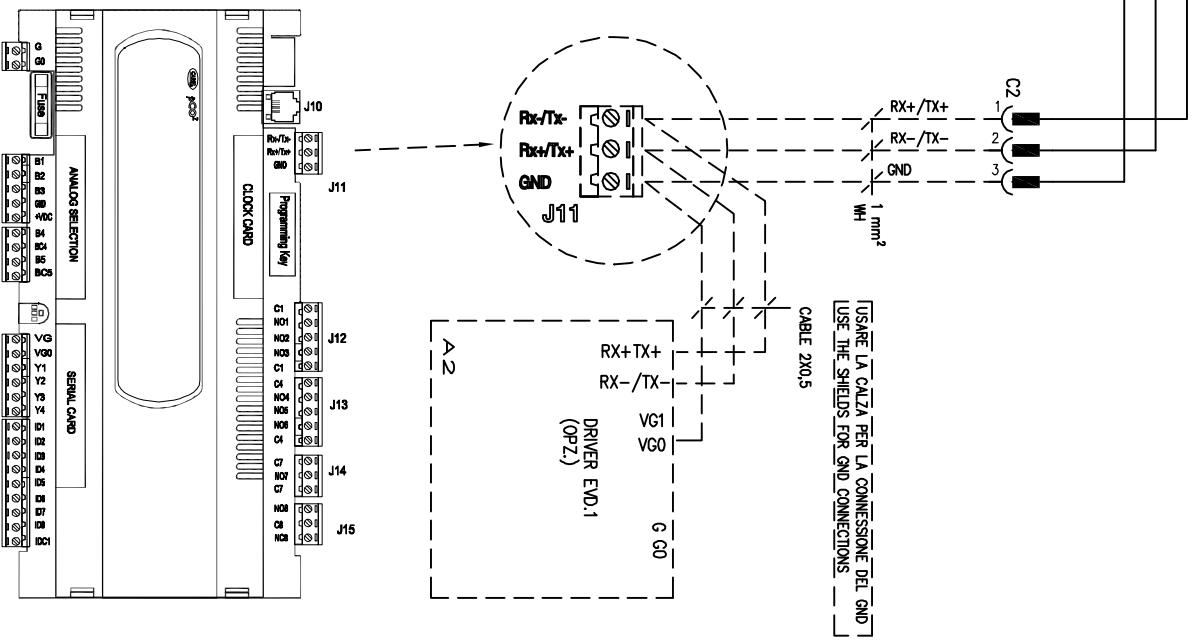
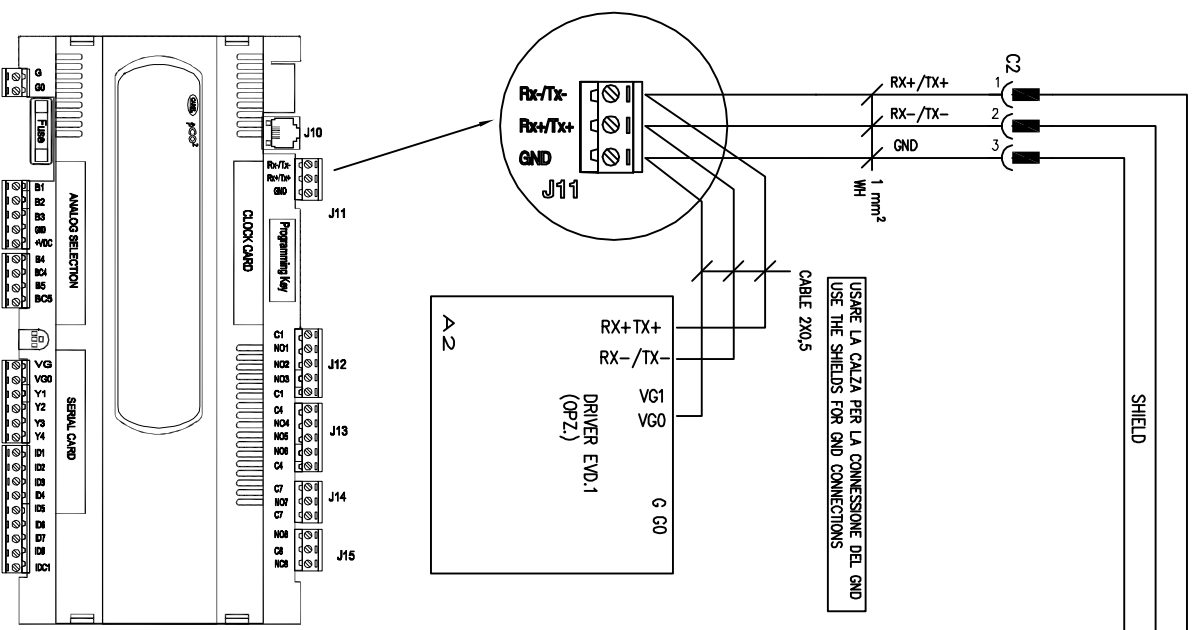
USARE INTERNO

REV.	MODIFIED	DATE	SIGN.	APPR.	SOST. IL:	SOST. DA:	ORIGINE:	HF620C0251	SHEET 8 OF 13
1									CONTINUE
		12/10/2004							

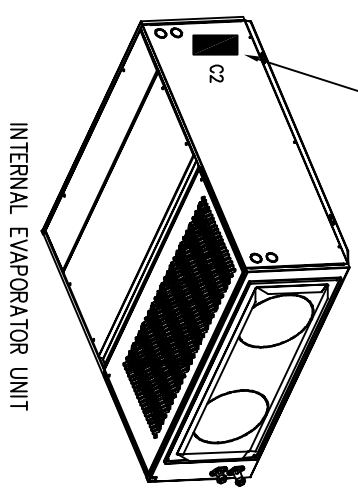


LAN CONNECTIONS

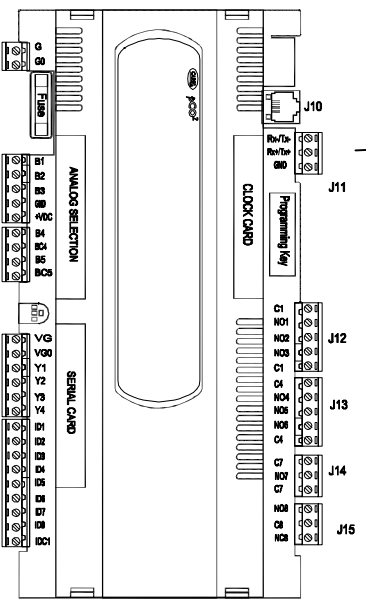
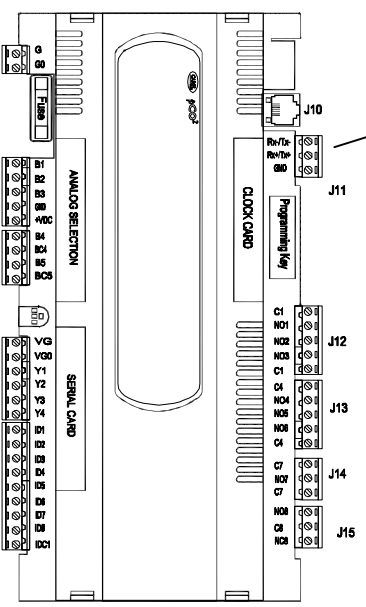
MAX 2 UNITS



C2 LAN CONNECTOR		
Pin	Filo	Posizione
1	RX+ /TX+	9/B1
2	RX- /TX-	9/B1
3	GND	9/B1



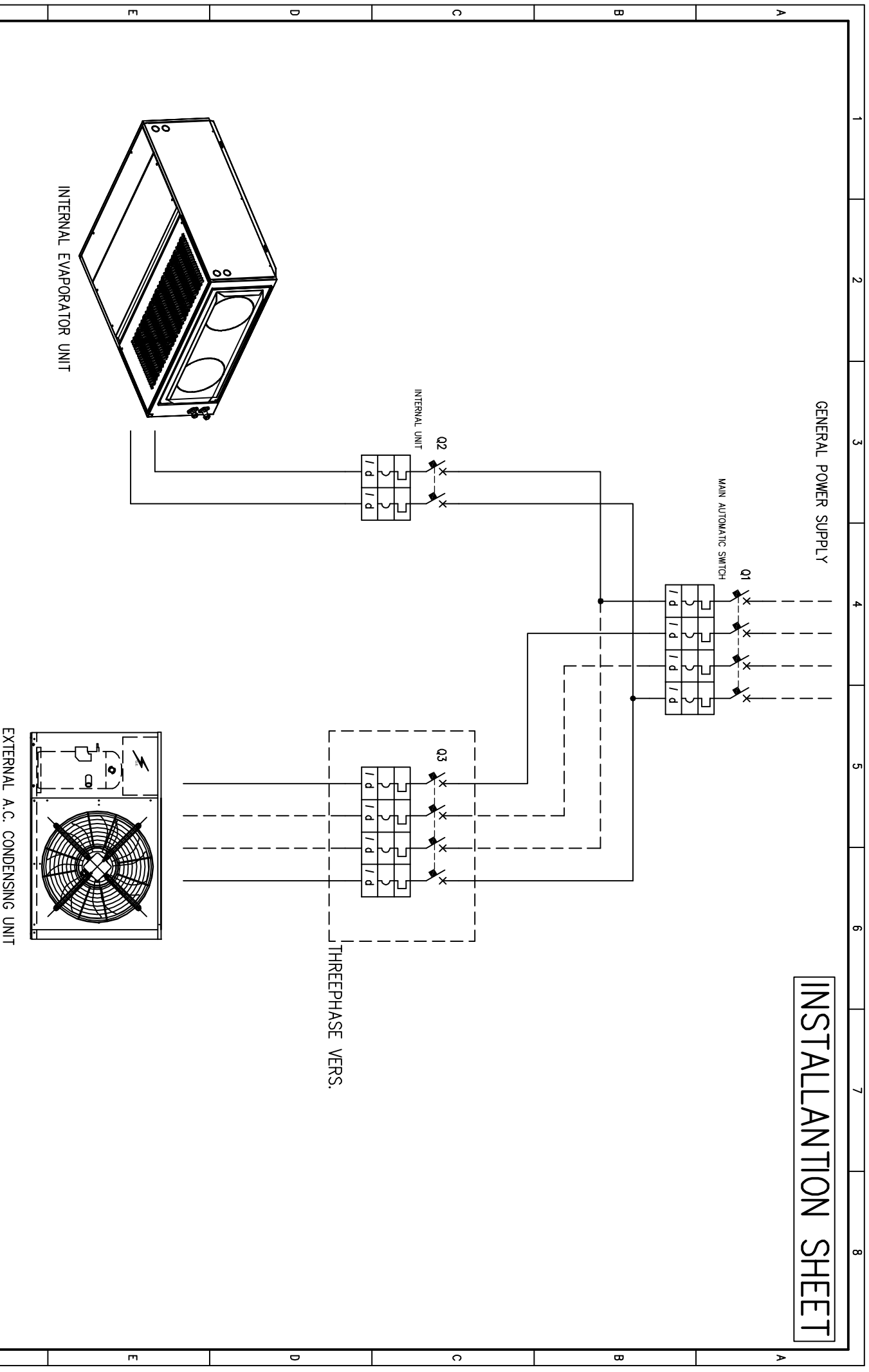
INTERNAL EVAPORATOR UNIT



REV.	MODIFIED	DATE	SIGN.	APPR.	DATE	SIGN.	CONT.	SOST. IL:	SOST. DA:	ORIGINE:	HF620C0251	SHEET	9 OF 13
					12/10/2004							CONTINUE	10



INSTALLATION SHEET



GENERAL POWER SUPPLY

MAIN AUTOMATIC SWITCH

INTERNAL UNIT

THREEPHASE VERS.

INTERNAL EVAPORATOR UNIT

EXTERNAL A.C. CONDENSING UNIT

DATE: 12/10/2004		SIGN.:		DATE:		SIGN.:	
CONT.:		APPR.:		SOST. IL.:		SOST. DA.:	
REV.:		MODIFIED:		DATE:		SIGN.:	
1		2		3		4	
5		6		7		8	
ORIGINE:		LENNOX		HF620C0251		SHEET 11 OF 13	
						CONTINUE 12	

MOD.045/056
073-090-105

Ref-mark	Function	Technical data	Item code	Description	Amount	M.U.	Position
KM1	VENT. EVAP.	AEG/MOELLER	AEGLS071024/DILEEM-10	51596	1	PCE	5/E03
KM6	RISCALDAMENTO	CABLARE SOLO ZOCOCOLO	553280245000	RELE' 5532 24V	1	PCE	5/E03
QF1		AEG/MOELLER	AEGE92C16	PLS6-C16/2 242880	1	PCE	3/B04
QF2		AEG/MOELLER	AEGE92C06	PLS6-06/2 242874	1	PCE	3/B04
QS		SOCOMEK/AEG	24143003	COMO M 3 X 32 A T1P0 AR+4 POLO	1	000	3/A02
T1	230V/24V	100VA	TORIDALE		1		3/C07
KA1		FINDER	40528024+9575	MINIRELE' C.S.	1		3/C07
KA2		FINDER (SOLO ZOCOCOLO)	40528024+9575	MINIRELE' C.S.	1		3/C07

USO UNICO

REV.	MODIFIED	DATE	SIGN.	APPR.	SOST. IL.	SOST. DA.	ORIGINE:	LENNOX	SHEET 12 OF 13
1									CONTINUE 13

DATE 12/10/2004



HF620C0251

NOTE INTERNE-INTERNAL NOTE

1. PREDISPORRE TUTTI FILI PER L'OPZIONE RESISTENZE (CABLARE ZOCCOLO KM6)
2. PREDISPORRE FILI FS2
3. PREDISPORRE FILI VALVOLA ELETTRONICA EV1
4. PREDISPORRE FILI RELE' KA2 (CABLARE ZOCCOLO)
5. LASCIARE LATO POSTERIORE DELLE MORSETTIERE TUTTO LIBERO

REV.	MODIFIED	DATE	SIGN.	APPR.	DATE	SIGN.	CONI.	SOST. IL:	SOST. DA:	ORIGINE:	HF620C0251	SHEET 13 OF 13
1		2			12/10/2004							CONTINUE