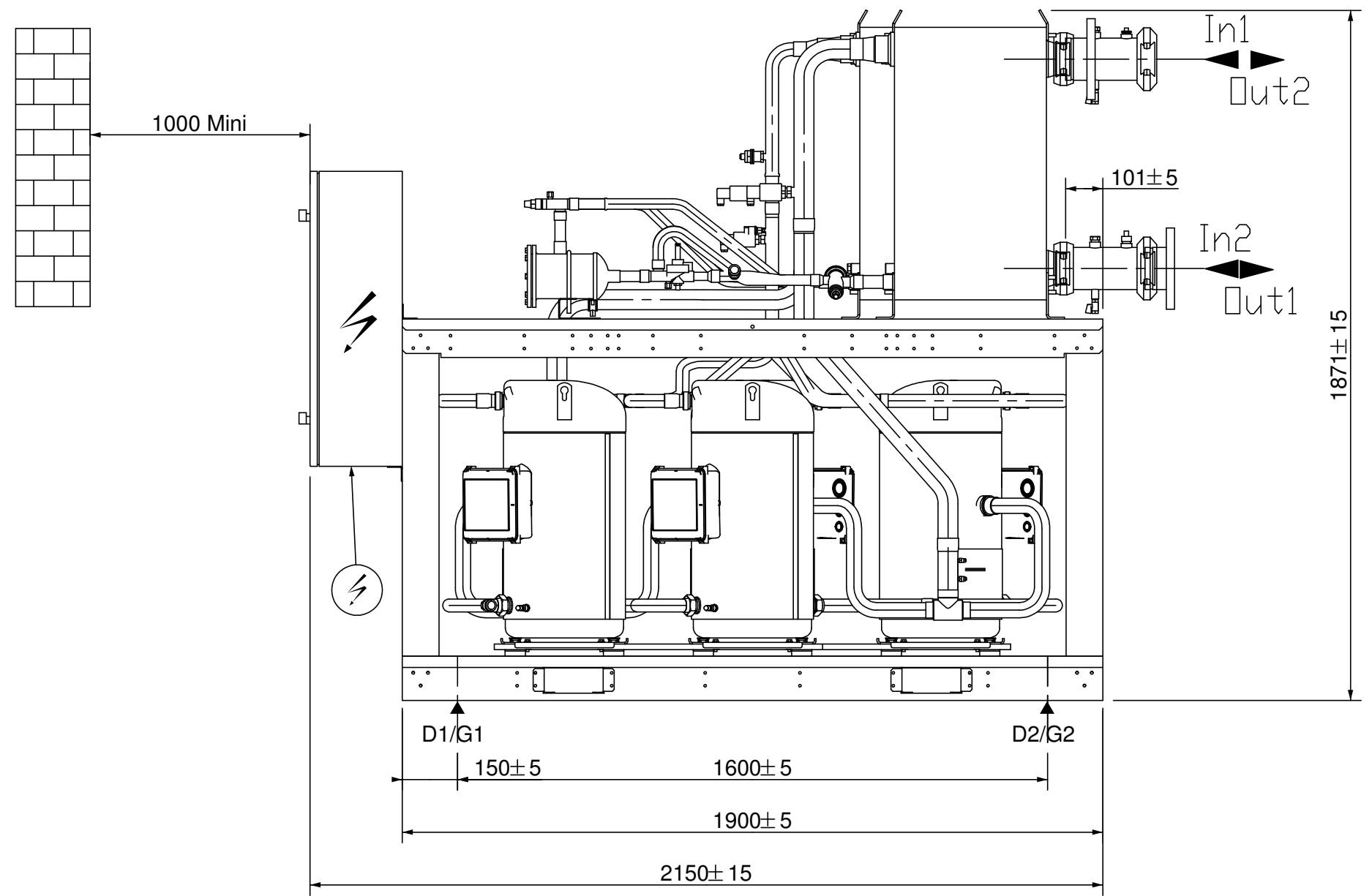


DETAIL FIXATION



In / Out =  $\varnothing$  4" Victaulic

DETAIL FIXATION  
ECHELLE 1/5

