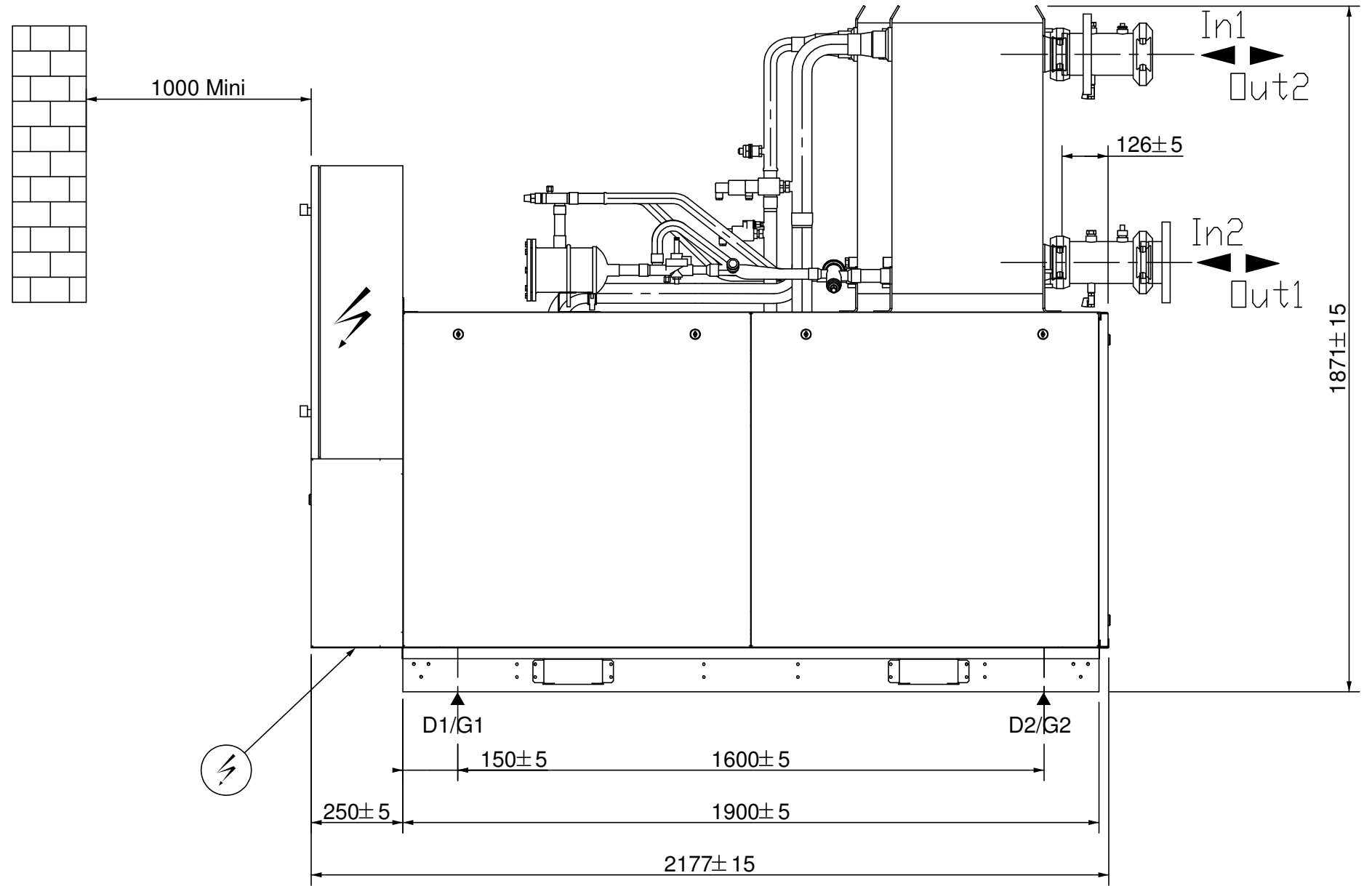


DETAIL FIXATION



In / Out = \varnothing 4" Victaulic

DETAIL FIXATION
ECHELLE 1/5

