

Application guide



MWC Water cooled liquid chiller & heat pump

MRC Condenserless liquid chiller

180 - 720 kW



MWC™ MRC™

APPLICATION GUIDE

Ref : MWC-AGU-0410-E

1. GENERAL

Features and benefits	2
Options and accessories	4
Model number description	5

2. GENERAL DATA

General data	6
Pressure drops	10
Hydraulic data	11
Acoustic data	12
Operating limits	13

4. ELECTRICAL DATA

Electrical tables	14
-------------------	----

5. PERFORMANCES

MWC - Cooling mode	15
MRC - Cooling mode	16
MWC - Heating mode	17

6. DIMENSIONAL DATA

Dimensional data	18
------------------	----

Our company is member of the Eurovent certification program.
The MWC™ Lennox chillers are tested and rated in accordance with Eurovent certification program.



Our products comply with the European standards.



Product designed and manufactured under a quality management system certified ISO 9001.



All the technical and technological information contained in this manual, including any drawing and technical descriptions provided by us, remain the property of Lennox and must not be utilised (except in operation of this product), reproduced, issued to or made available to third parties without the prior written agreement of Lennox.

Water cooled liquid chiller for indoor installation**GENERAL CHARACTERISTICS OF THE UNIT**

The MWC unit is designed for industrial and commercial applications where customers require reduced total cost of ownership for new air conditioning equipment.

As main characteristics the MWC unit offers multi scroll R410A compressors with two circuits for safety operation and oversized heat exchangers for high full and part load energy performances (Class B efficiency / ESEER > 6.0).

The MWC is the solution for indoor installation. Thanks to very compact dimensions and limited footprint MWC can be installed easily into any technical room.

The MWC is available in 2 main versions to meet all customer requirements and applications :

- MWC version is the water-cooled chiller. This version can be used for air conditioning applications in association with a separate dry-cooler or using ground water. The MWC version can also be used for heating applications. With the "hot water set point control" option the MWC range can supply hot water up to +50°C.
- MRC version is the split version without condenser. This version can be used for air conditioning applications in association with a remote air-cooled condenser

REFRIGERANT CIRCUIT

MWC is using R410A refrigerant in 2 independent circuits that allows operation at 50% of the capacity in case of issue on one circuit.

Each circuit includes:

- A refrigerant charge reduced by 30% thanks to the use of R410A combined with plate heat exchanger
- Suction piping with thermal insulation.
- Moisture sight glass on the MRC version
- Filter drier with removable cartridge filter.
- Thermostatic valve or electronic expansion valve (optional from size 180 to 570, standard on size 650 & 720).
- Temperature sensors and pressure transducers.
- Leak-tight refrigerant circuit with brazing carried out under nitrogen by certified technicians.
- Each refrigerant circuit is pressure and leak tested with a Hydrogen/Nitrogen mixture, and vacuumed before being charged with refrigerant. All units are then subjected to a complete functional and operational run test to guarantee perfect sealing before leaving the factory.

COMPRESSOR

MWC is using R410A vibration-free compliant® scroll compressors to guarantee a low operating sound level, a high durability and reliability and no maintenance.

- Exclusive Compliant® Scroll design with both axial and radial compliance to increase compressor operation tolerance to liquid refrigerant, substantially improving durability and reliability.
- Motor cooled by suction gas.
- Electronic control of the compressor discharge temperature.
- Motor protection device against high temperature or over current situations.
- Discharge non-return valve.
- Compressors assembly installed on an independent chassis supported by anti-vibration mountings.
- Optional sound-proofed panel enclosures to reduce noise emissions.

WATER HEAT EXCHANGER (EVAPORATOR AND CONDENSER)

MWC is using stainless steel brazed plate heat exchangers with true dual circuit.

- Copper brazed stainless steel plate heat exchanger.
- 13 mm closed cell thermal foam insulation.
- Evaporator protected against freezing risks thanks to an electronic water flow switch
- Condenser protected against low condensing temperature thanks to a 0-10 V output signal available from the controller to control a condenser water inlet valve (Not from Lennox supply).

CASING/CHASSIS

- Chassis made of galvanised steel sheet metal painted with a RAL 7016 (grey) powdered polyester paint.
- Optional casing with removable panels made of galvanised steel sheet metal painted with a RAL 7016 (grey) powdered polyester paint.

ELECTRICAL BOX

The MWC is designed for 400V/3/50Hz supply.

- Unit electrical cabinet, components and wiring in compliance with EN 60204-1 electrical directive.
- 400V/3/50Hz power supply (without neutral) with a single point of power connection.
- IP24 protection class.
- Recognized brand electrical components for ease of maintenance.
- Main on/off switch mounted on the front panel.
- DC50 user interface mounted on the front panel.
- 400/24 V transformer to supply the control circuit.
- Labelled electrical wires to facilitate maintenance and diagnostic.
- Optional power and control circuit for the pumps.

CONTROL

CLIMATIC™ microprocessor based control is providing the following functions:

- 4 scheduling time zones per day over 7 days to allow energy consumption management according to the building use and environmental constraints.
- PI control of the water temperature with operating time equalisation of the compressors.
- Intelligent advanced control algorithm to protect the compressors against excessive short-cycling and to allow operation of the unit without buffer tank in most comfort air conditioning applications (e.g. unit with fan-coils). Refer to minimum installation water loop volume recommendations.
- Water pump control with operating time equalization and automatic change-over in case of a pump fault (Twin pump only).
- Master/slave or cascade control of two chillers operating in parallel with operating time equalization and automatic change-over in case of a unit fault.

CLIMATIC™ is pre-factory configured with default settings allowing a fast commissioning on site. The DC50™ user interface with graphical display is easy to use, intuitive. Main customer parameters can be read or modified without main power shut-off (Entering/leaving water temperatures, alarms, water set-points, high and low pressure readings).

The DS50™ service display (optional) is a .plug and play" controller that allows service people to read and modify all unit parameters (Unit settings, operating time and number of compressor starts, low and high pressure reading, read the history of last 32 faults...).

COMMUNICATION

The control board is equipped with a RS485 serial communication port to allow remote management through communication bus.

According to the wished communication protocol, our control board can be fitted with ModBUS®, LonWorks® or BacNET® communication interface (options).

The main control board has free dry contacts that allow remote control of the unit by wired cable:

- Remote on/off of the unit.
- Remote alarm reset to re-start the unit.
- Alarm or alert indications.
- Free customer contact.

With the optional extension board BE50, it is possible to get additional customized digital or analog inputs/outputs for remote control of the unit:

- Fault pumps (dry contact).
- Operation indication at 100% on circuit 1 or 2 (dry contact).
- Dual water set-point management (dry contact).
- Force heating or cooling mode (24V AC input).
- Power limitation by disabling circuit 1 or 2 (24V AC input).
- Force unoccupied mode (24V AC input).
- Water set-point offset based on a 4-20mA signal.

DIRECTIVES

The unit is built to meet European norms and standards & Eurovent certification performance standards.

- . DI 97/23/CE Pressure Equipment Directive.
- . DI 98/37/CE Machinery Directive.
- . DI 73/23/CE Low Voltage Directive.
- . DI 89/336/CE Electro Magnetic Compatibility Directive
- . EN 378-2 Safety and Environmental Directive.
- . The European Restriction of the Use of Certain Hazardous-Substances (RoHS).

OPTIONS	DESCRIPTION	ADVANTAGES	MODELS
Control/Power electrical equipment of single evaporator pump	Unit equipped with electrical power and control circuit for one single speed pump	Quick start-up on job site.	MWC/MRC 180 ▶ 720
Control/Power electrical equipment of dual evaporator pump	Unit equipped with electrical power and control circuit for dual single speed pumps.	Quick start-up on job site.	MWC/MRC 180 ▶ 720
Control/Power electrical equipment of single condenser pump	Unit equipped with electrical power and control circuit for one single speed pump	Quick start-up on job site.	MWC 180 ▶ 720
Control/Power electrical equipment of dual condenser pump	Unit equipped with electrical power and control circuit for dual single speed pumps.	Quick start-up on job site.	MWC 180 ▶ 720
Electronic expansion valve	Unit equipped with an electronic expansion valve for smooth operation in every temperature conditions	Allows applications with changing temperature conditions.	MWC 180 ▶ 570
Evaporator filter (supplied loose)	1000 microns water filter delivered with piping and Victaulic connections.	This protection must be fitted to protect the evaporator from any possible impurities.	MWC/MRC 180 ▶ 720
Condenser filter (supplied loose)	1000 microns water filter delivered with piping and Victaulic connections.	This protection must be fitted to protect the condenser from any possible impurities.	MWC 180 ▶ 720
Evaporator flange connections (supplied loose)	Two connection sleeves with Victaulic groove and flange on opposite side.	Allow easy connection with flanges on customer side.	MWC/MRC 180 ▶ 720
Condenser flange connections (supplied loose)	Two connection sleeves with Victaulic groove and flange on opposite side	Allow easy connection with flanges on customer side.	MWC 180 ▶ 720
Hot water set-point control (Heat pump mode)	Unit equipped with insulated heat exchanger and hot water sensor on condenser side for heating purpose.	Allow heat pump operation.	MWC 180 ▶ 720
DC50™ remote comfort display (supply loose)	Customer display located at 600 meters maximum from the unit.	Remote customer parameter reading and modification.	MWC/MRC 180 ▶ 720
DS50™ service display (supply loose)	Plug and play display delivered with 1 meter cable and connector for quick connection on Climatic controller.	Display for service technicians only.	MWC/MRC 180 ▶ 720
Modbus communication interface	Communication card using ModBus/ JBus protocol	Communication interface with a building management system.	MWC/MRC 180 ▶ 720
LonWorks® communication interface	Communication card using LonTalk® protocol.	Communication interface with a building management system.	MWC/MRC 180 ▶ 720

OPTIONS	DESCRIPTION	ADVANTAGES	MODELS
BACnet® communication interface	Communication card using Bacnet® protocol.	Communication interface with a building management system.	MWC/MRC 180 ▶ 720
Adalink™ supervision (Customer friendly web based supervision)	Electronic board with RS485 cables, RJ11 phone cable, Ethernet cable and power supply cable.	Remote supervision of the unit via an intuitive web page.	MWC/MRC 180 ▶ 720
BE50™ extension board for additional inputs/outputs	Electronic extension board with additional analog inputs (4), digital inputs (4) and digital outputs (4). See control manual.	Relay card for remote control and alarm report using dry contacts, 24 Vac or 4-20 mA signals.	MWC/MRC 180 ▶ 720
Anti-vibration mounts (supplied loose)	Rubber anti-vibration mounts to be mounted under the unit.	Reduction of the transmission of vibration to the ground.	MWC/MRC 180 ▶ 720
Panel enclosure (compressors)	Unit equipped with removable panels around the compressors to reduce sound level.	Reduction of the unit sound power level.	MWC/MRC 180 ▶ 720

MODEL NUMBER DESCRIPTION

EXAMPLE : MWC 200D

M	Medium
W	W = Water cooled R = Remote condenser
C	C = Cooling mode
200	Cooling capacity in kW
D	Number of circuits : D = 2 circuits
N	Non ducted
M	R410 A refrigerant
1	Revision number
M	400V/3/50 Hz

COOLING ONLY

MWC

MWC™		180	230	280	330	380
Cooling mode						
Cooling capacity ⁽¹⁾	kW	186,1	232,8	280,7	333,6	380,4
Power input ⁽¹⁾	kW	39,3	49,9	59,7	70,9	81,0
Full load amps ⁽¹⁾	A	70,6	86,6	101,1	118,1	133,2
EER		4,74	4,66	4,70	4,70	4,70
ESEER ⁽²⁾		6,74	6,31	6,38	6,25	6,03
Evaporator water flow ⁽¹⁾	m³/h	32,0	40,1	48,3	57,4	65,4
Evaporator pressure drop ⁽¹⁾	kPa	34,9	28,9	40,7	31,5	40,2
Condenser water flow ⁽¹⁾	m³/h	37,2	46,7	56,2	66,8	76,2
Condenser pressure drop ⁽¹⁾	kPa	46,2	38,3	30,3	41,8	40,5
Heating mode						
Heating capacity ⁽³⁾	kW	196,5	246,4	296,9	351,9	401,7
Power input ⁽³⁾	kW	48,5	61,5	73,1	86,9	99,1
Full load amps ⁽³⁾	A	86,6	110,0	130,7	155,3	177,1
COP		4,05	4,00	4,06	4,05	4,05
Condenser water flow ⁽³⁾	m³/h	33,8	42,4	51,1	60,5	69,1
Condenser pressure drop ⁽³⁾	kPa	38,6	32,1	25,4	34,8	33,7
Evaporator water flow ⁽³⁾	m³/h	32,0	40,1	48,3	57,4	65,4
Evaporator pressure drop ⁽³⁾	kPa	34,9	28,9	40,7	31,5	40,2
Compressor						
Scroll - Hermetic						
Number of compressor	nr	4	4	4	4	4
Capacity steps	%	20-50-75-100%	21-43-62-83-100%	21-36-53-71-85-100%	15-46-61-87-100%	25-50-75-100%
Oil charge per compressor	l	(2 x 3,2) + (2 x 3,2)	(3,2+6,3) + (2 x 3,2)	(3,2+6,3) + (3,2+6,3)	(2 x 6,3) + (3,2+6,3)	(2 x 6,3) + (2 x 6,3)
Oil type	type	MOBIL EAL Arctic 22CC or ICI EMKARATE RL32CF				
Refrigerant						
R410A						
Expansion	type	Thermostatic expansion valve				
Number of circuit	nr	2	2	2	2	2
Charge per circuit	kg	8	12	14	14	22
Condenser (Heating mode)						
AISI 316 stainless steel plate brazed with copper heat exchanger						
Water volume	l	13	24	35	35	43
Water operating pressure	kPa	600	600	600	600	600
Hydraulic connections						
Victaulic						
Water inlet/outlet	Inches	4"	4"	4"	4"	4"
Evaporator (Cooling mode)						
AISI 316 stainless steel plate brazed with copper heat exchanger						
Water volume	l	13	24	24	35	35
Water operating pressure	kPa	600	600	600	600	600
Hydraulic connections						
Victaulic						
Water inlet/outlet	Inches	4"	4"	4"	4"	4"
Acoustic						
Global sound power level ⁽¹⁾	dB(A)	81	87	89	90	92
Electrical data						
400V / III / 50 Hz						
Start-up intensity	A	266,9	402,9	431,7	460,1	488,3
Maximum current	A	123,8	152,2	181,0	209,4	237,6
Dimensions						
Length	mm	2150	2150	2150	2150	2150
Width	mm	820	820	820	820	820
Height	mm	1645	1870	1870	1870	1870
Footprint	m²	1,8	1,8	1,8	1,8	1,8
Operating weight	kg	756	974	1158	1328	1534
Shipping weight	kg	736	914	1088	1248	1444

All data are at Eurovent conditions :

(1) Gross cooling capacity with 12/7°C evaporator water temperature and 30/35°C condenser water temperature.

(*) Except for MWC 720 : 13/7°C evaporator water temperature.

(2) ESEER according to EN14511 Eurovent calculation method.

(3) Gross heating capacity with 40/45°C condenser water temperature and 10°C evaporator water inlet, with the same evaporator water flow as in cooling mode.

OPERATING LIMITS on page 13

COOLING ONLY

MWC

MWC™		450	510	570	650	720 (*)
Cooling mode						
Cooling capacity ⁽¹⁾	kW	442,9	499,0	570,3	642,3	715,5
Power input ⁽¹⁾	kW	95,0	108,7	122,3	140,6	161,1
Full load amps ⁽¹⁾	A	154,0	177,6	201,0	230,9	264,5
EER		4,66	4,59	4,66	4,57	4,44
ESEER ⁽²⁾		6,04	6,04	6,09	5,97	5,67
Evaporator water flow ⁽¹⁾	m³/h	76,2	85,9	98,1	110,5	102,6
Evaporator pressure drop ⁽¹⁾	kPa	40,4	50,5	46,0	57,7	50,0
Condenser water flow ⁽¹⁾	m³/h	88,7	100,4	114,4	129,3	143,7
Condenser pressure drop ⁽¹⁾	kPa	43,6	51,0	61,6	34,0	41,5
Heating mode						
Heating capacity ⁽³⁾	kW	468,3	530,4	602,6	682,1	750,6
Power input ⁽³⁾	kW	116,3	133,0	149,7	169,9	192,8
Full load amps ⁽³⁾	A	207,9	237,8	267,5	303,8	344,6
COP		4,03	3,99	4,03	4,01	3,89
Condenser water flow	m³/h	80,6	91,2	103,7	117,4	129,1
Condenser pressure drop	kPa	36,4	42,6	51,1	28,4	34,0
Evaporator water flow	m³/h	76,2	85,9	98,1	110,5	102,6
Evaporator pressure drop	kPa	40,4	50,5	46,0	57,7	50,0
Compressor		Scroll - Hermetic				
Number of compressor	nr	6	6	6	6	6
Capacity steps	%	18-36-53-70-85-100%	16-37-51-70-83-100%	18-36-53-70-85-100%	16-37-52-70-83-100%	18-37-53-70-85-100%
Oil charge per compressor	l	(3 x 6,8) + (3 x 6,8)	(3 x 6,8) + (3 x 6,3)	(3 x 6,3) + (3 x 6,3)	(3 x 6,3) + (3 x 6,3)	(3 x 6,3) + (3 x 6,3)
Oil type	type	MOBIL EAL Arctic 22CC or ICI EMKARATE RL32CF				
Refrigerant		R410A				
Expansion	type	Thermostatic expansion valve			Electronic expansion valve	
Number of circuit	nr	2	2	2	2	2
Charge per circuit	kg	27	29	31	30	30
Condenser (Heating mode)		AlSi 316 stainless steel plate brazed with copper heat exchanger				
Water volume	l	52	56	61	77	77
Water operating pressure	kPa	600	600	600	600	600
Hydraulic connections		Victaulic				
Water inlet/outlet	Inches	5"	5"	5"	5"	5"
Evaporator (Cooling mode)		AlSi 316 stainless steel plate brazed with copper heat exchanger				
Water flow ⁽¹⁾		43	43	61	61	61
Water volume		600	600	600	600	600
Hydraulic connections		Victaulic				
Water inlet/outlet	Inches	5"	5"	5"	5"	5"
Acoustic						
Global sound power level ⁽¹⁾	dB(A)	92	93	93	96	97
Electrical data		400V / III / 50 Hz				
Start-up intensity	A	495,9	563,1	606,9	734,3	778,4
Maximum current	A	268,6	312,4	356,2	400,3	444,4
Dimensions						
Length	mm	2200	2200	2200	2200	2200
Width	mm	1200	1200	1200	1200	1200
Height	mm	1870	1870	1870	1870	1870
Footprint	m²	2,6	2,6	2,6	2,6	2,6
Operating weight	kg	1984	2100	2240	2440	2480
Shipping weight	kg	1894	1990	2110	2270	2310

All data are at Eurovent conditions :

(1) Gross cooling capacity with 12/7°C evaporator water temperature and 30/35°C condenser water temperature.

(*) Except for MWC 720 :13/7°C evaporator water temperature.

(2) ESEER according to EN14511 Eurovent calculation method.

(3) Gross heating capacity with 40/45°C condenser water temperature and 10°C evaporator water inlet, with the same evaporator water flow as in cooling mode.

OPERATING LIMITS on page 13

COOLING ONLY

MRC

MRC™		180	230	280	330	380
Cooling mode						
Cooling capacity ⁽¹⁾	kW	161.1	202.0	241.9	288.7	328.5
Power input ⁽¹⁾	kW	49.7	63.0	76.2	89.4	102.5
Full load amps ⁽¹⁾	A	89.3	109.3	129.0	148.9	168.5
EER		3.24	3.21	3.18	3.23	3.20
Evaporator water flow ⁽¹⁾	m ³ /h	26.8	22.3	31.0	24.1	30.6
Evaporator pressure drop ⁽¹⁾	kPa	148.3	186.3	223.3	266.4	303.3
Compressor						
Scroll - Hermetic						
Number of compressor	nr	4	4	4	4	4
Capacity steps	%	25-50-75-100%	21-43-62-83-100%	21-36-53-71-85-100%	15-46-61-87-100%	25-50-75-100%
Oil charge per compressor	l	(2 x 3,2) + (2 x 3,2)	(3,2 + 6,3) + (2 x 3,2)	(3,2 + 6,3) + (3,2 + 6,3)	(2 x 6,3) + (3,2 + 6,3)	(2 x 6,3) + (2 x 6,3)
Oil type	type	MOBIL EAL Arctic 22CC or ICI EMKARATE RL32CF				
Refrigerant						
R410A						
Expansion	type	Thermostatic expansion valve				
Number of circuit	nr	2	2	2	2	2
Capacity per circuit C1/C2	%	50-50%	60-40%	50-50%	57-43%	50-50%
Refrigerant connections						
Liquid line	Inches	7/8"	1" 1/8 - 7/8"	2 x 1" 1/8	2 x 1" 1/8	2 x 1" 1/8
Discharge line	Inches	1" 1/8	1" 3/8 - 1" 1/8	2 x 1" 3/8	2 x 1" 3/8	2 x 1" 3/8
Evaporator						
AISI 316 stainless steel plate brazed with copper heat exchanger						
Water volume	l	13	24	24	35	35
Water operating pressure	kPa	600	600	600	600	600
Hydraulic connections						
Victaulic						
Water inlet/outlet	Inches	4"	4"	4"	4"	4"
Acoustic						
Global sound power level ⁽¹⁾	dB(A)	81	87	89	90	92
Electrical data						
400V / III / 50Hz						
Start-up intensity	A	266.9	402.9	431.7	460.1	488.3
Maximum current	A	123.8	152.2	181.0	209.4	237.6
Dimensions						
Length	mm	2150	2150	2150	2150	2150
Width	mm	820	820	820	820	820
Height	mm	1645	1870	1870	1870	1870
Footprint	m ²	1.8	1.8	1.8	1.8	1.8
Operating weight	kg	650	810	950	1120	1290
Shipping weight	kg	620	770	910	1080	1240

All data are at Eurovent conditions :

(1) Gross cooling capacity with 12/7°C water temperature

(*) Except for MWC 720 : 13/7°C evaporator water temperature.

OPERATING LIMITS on page 13

COOLING ONLY

MRC

MRC™		450	510	570	650	720 (*)
Cooling mode						
Cooling capacity ⁽¹⁾	kW	382,0	432,8	494,3	554,8	615,4
Power input ⁽¹⁾	kW	120,3	137,0	153,8	176,2	198,6
Full load amps ⁽¹⁾	A	194,9	223,8	252,8	289,4	326,0
EER		3,18	3,16	3,21	3,15	3,10
Evaporator water flow ⁽¹⁾	m³/h	30,7	31,3	35,0	43,6	53,2
Evaporator pressure drop ⁽¹⁾	kPa	352,6	399,9	456,5	512,2	568,0
Compressor		Scroll - Hermetic				
Number of compressor	nr	6	6	6	6	6
Capacity steps	%	18-36-53-70-85-100%	16-37-51-70-83-100%	18/36-53-70-85-100%	16-37-52-70-83-100%	18-37-53-70-85-100%
Oil charge per compressor	l	(3 x 6,8) + (3 x 6,8)	(3 x 6,8) + (3 x 6,3)	(3 x 6,3) + (3 x 6,3)	(3 x 6,3) + (3 x 6,3)	(3 x 6,3) + (3 x 6,3)
Oil type	type	MOBIL EAL Arctic 22CC or ICI EMKARATE RL32CF				
Refrigerant		R410A				
Expansion	type	Thermostatic expansion valve				
Number of circuit	nr	2	2	2	2	2
Capacity per circuit C1/C2	%	50-50%	56-44%	50-50%	55-45%	50-50%
Refrigerant connections						
Liquid line	Inches	2 x 1" 3/8"	2 x 1" 3/8"	2 x 1" 3/8"	1" 5/8 - 1" 3/8	2 x 1" 5/8"
Discharge line	Inches	2 x 1" 5/8	2 x 1" 5/8	2 x 1" 5/8	2" 1/8 - 1" 5/8	2 x 2" 1/8
Evaporator		AISI 316 stainless steel plate brazed with copper heat exchanger				
Water volume	l	43	43	61	61	61
Water operating pressure	kPa	600	600	600	600	600
Hydraulic connections		Victaulic				
Water inlet/outlet	Inches	5"	5"	5"	5"	5"
Acoustic						
Global sound power level ⁽¹⁾	dB(A)	92	93	93	96	97
Electrical data		400V / III / 50Hz				
Start-up intensity	A	495,9	563,1	606,9	734,3	778,4
Maximum current	A	268,6	312,4	356,2	400,3	444,4
Dimensions						
Length	mm	2200	2200	2200	2200	2200
Width	mm	1200	1200	1200	1200	1200
Height	mm	1870	1870	1870	1870	1870
Footprint	m²	2,6	2,6	2,6	2,6	2,6
Operating weight	kg	1660	1740	1870	1980	2020
Shipping weight	kg	1620	1690	1790	1890	1930

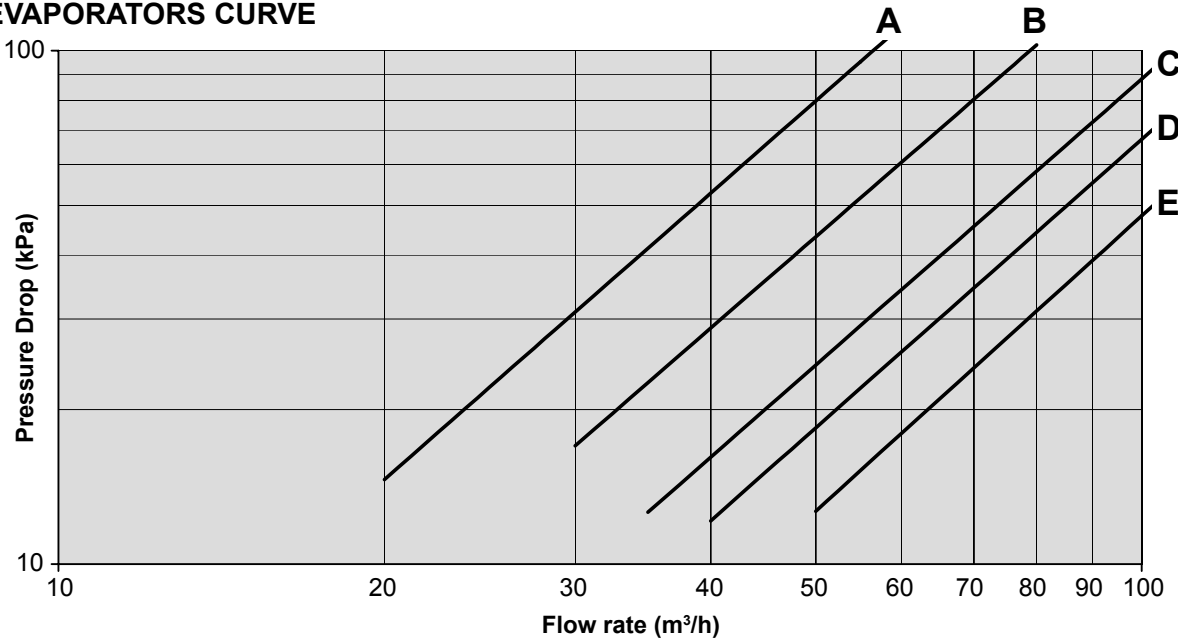
All data are at Eurovent conditions :

(1) Gross cooling capacity with 12/7°C water temperature

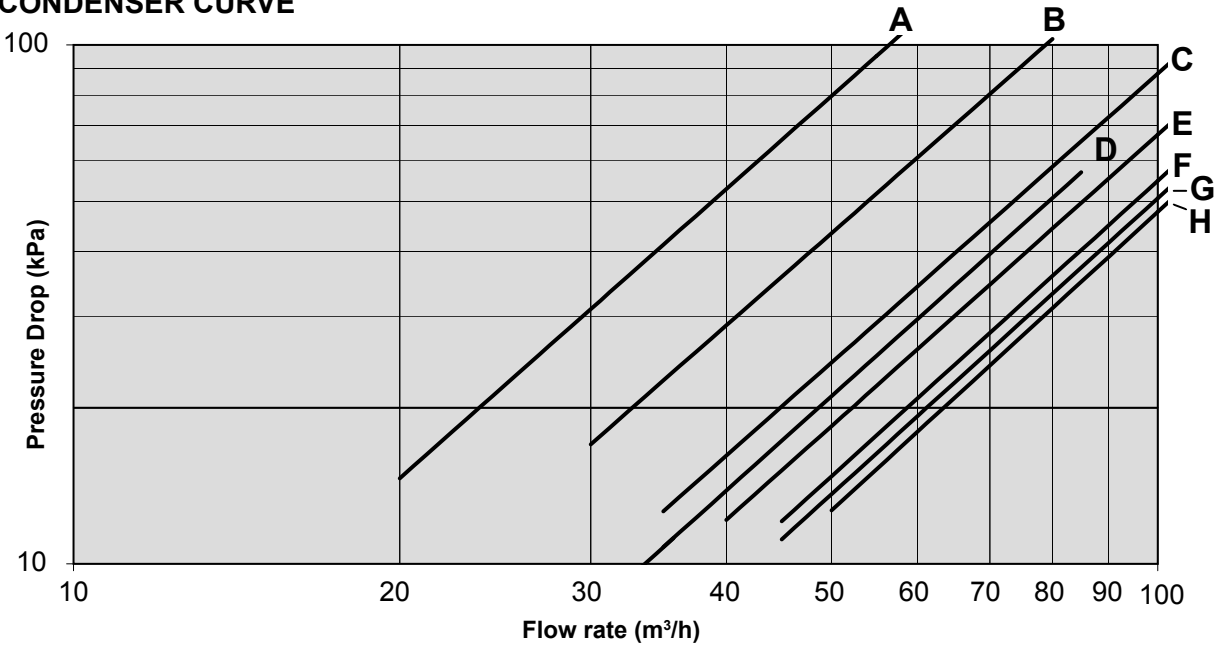
(*) Except for MWC 720 :13/7°C evaporator water temperature.

OPERATING LIMITS on page 13

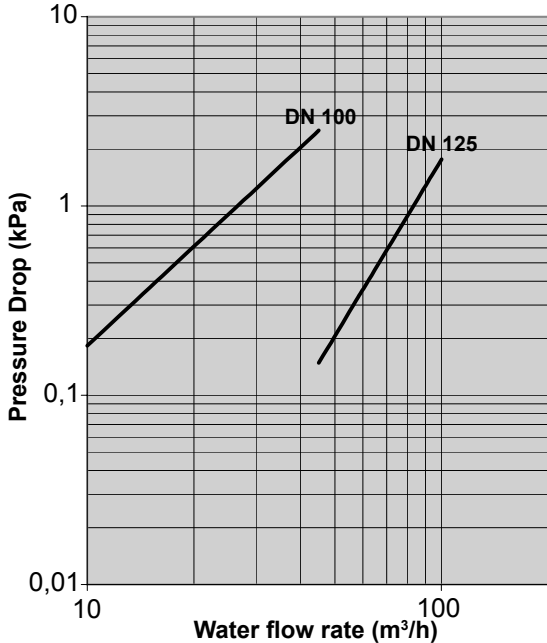
EVAPORATORS CURVE



CONDENSER CURVE



FILTER CURVE



MWC	Curves		
	Evaporator	Condenser	Filter
180	A	A	DN100
230	B	B	DN100
280	B	C	DN100
330	C	C	DN100
380	C	D	DN100
450	D	E	DN125
510	D	F	DN125
570	E	G	DN125
650	E	H	DN125
720	E	H	DN125

Pressure drops are given for information only, A tolerance of +/- 20kPa must be considered when selecting water pumps.

MINIMUM WATER CONTENT OF AN INSTALLATION

Thanks to multi step capacity control and smart anti-short compressor cycling, MWC™ can work with minimum water loop volume as defined here below. This can eliminate the need for a buffer tank in most of air-conditioning applications (e.g. MWC™ application with fan-coil units). :

$$V_{\text{mini}} = 86 \times Q / (N_{\text{stages}} \times Dt)$$

Where :	V	Minimum water content of the installation
	Q	Cooling capacity of the chiller
	Nstage	Number of control steps available in the unit
	Dt	Maximum acceptable temperature rise (Dt = 6°C for an air conditioning application)

Important note: In case MWC™ is used in air-conditioning applications with a short water system (e.g. MWC™ application with air handling units) or in case MWC™ is used for industrial process cooling, it is mandatory to use a buffer tank.

MINIMUM WATER CONTENT OF AN INSTALLATION

Unit Size	Number of stages	Mini water volume (l)
MWC		
180	4	645
230	5	659
280	6	669
330	5	946
380	4	1362
450	6	1075
510	6	1218
570	6	1362
650	6	1553
720	6	1720

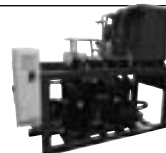
Note : The volume of the condenser water loop has no impact on the chiller operation. In heat pump operation (with hot water set point control option) the minimum volume of the condenser water loop must be calculated based on the heating capacity using the same formula.

GLYCOL CORRECTION FACTOR

Minimum ambient temperature or water outlet temperature	Ethylene glycol	Pressure drop	Water flow	CAPACITIES	
				Cooling	Heating
+ 5°C ► 0°C	10%	1,05	1,02	0,99	0,994
0°C ► -5°C	20%	1,10	1,05	0,98	0,993
- 5°C ► -10°C	30%	1,15	1,08	0,97	0,99
- 10°C ► -15°C	35%	1,18	1,10	0,96	0,987

Example : 10% glycol
 Minimum flow : 1,19 m³/h x 1,02
 Pressure drop x 1,07
 System capacity x 0,99

STANDARD UNIT



MWC

Spectrum per octave band dB(A)								Global sound power EUROVENT Lwa dB(A)	Sound pressure at 10 m. Semi-spheric (1) Lp dB(A)	Sound pressure enveloping surface at 10 m. (2) Lp dB(A)
MWC	125 Hz	250 Hz	500 Hz	1000 Hz	2000 Hz	4000 Hz	8000 Hz			
180	38	57	70	78	78	70	65	81	54	50
230	44	67	74	82	84	77	69	87	59	56
280	46	70	76	84	87	80	71	89	61	58
330	48	71	78	85	88	81	73	90	63	60
380	49	72	79	86	89	82	74	92	64	61
450	50	73	79	87	90	83	75	92	65	62
510	50	74	80	88	91	84	75	93	65	62
570	51	74	80	88	91	84	76	93	66	63
650	55	73	81	91	94	86	76	96	68	65
720	57	71	81	93	95	87	75	97	70	66

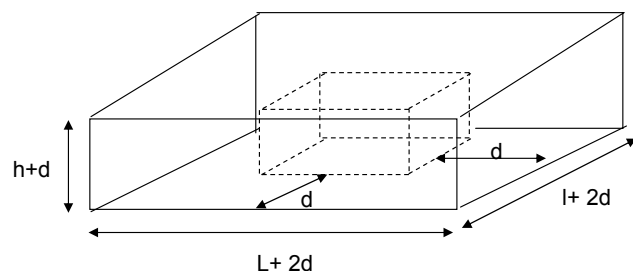


UNIT WITH PANEL ENCLOSURE (OPTION)

Spectrum per octave band dB(A)								Global sound power EUROVENT Lwa dB(A)	Sound pressure at 10 m. Semi-spheric (1) Lp dB(A)	Sound pressure enveloping surface at 10 m. (2) Lp dB(A)
MWC	125 Hz	250 Hz	500 Hz	1000 Hz	2000 Hz	4000 Hz	8000 Hz			
180	39	53	65	67	66	58	53	71	43	40
230	44	69	71	72	74	67	57	78	50	47
280	46	72	74	75	77	70	59	80	53	50
330	47	74	75	76	78	71	61	82	55	51
380	48	75	76	77	79	73	62	83	56	52
450	49	76	77	78	80	73	63	84	56	53
510	50	76	78	79	81	74	63	85	57	54
570	50	77	78	79	81	74	64	85	57	54
650	54	75	78	82	84	76	63	87	59	56
720	56	73	78	84	85	78	63	88	60	57

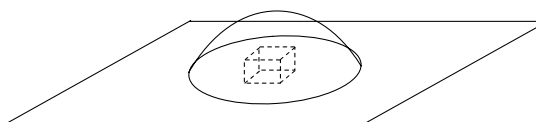
(1) : For information only: data calculated by semi spheric method in free open fiel.
 (2) : For information only : data calculated by envelopping surface method in free open field.

Enveloping Surface



$$A = 2(L+2d)(h+d)+2(l+2d)(h+d)+(L+2d)(l+2d)$$

Semi spheric



$$Lp = Lw - 10 \log 2\pi d^2$$

COOLING ONLY

MWC

MWC		180	230	280	330	380	450	510	570	650	720
Min. evaporator outlet water temperature	°C	5									
Max. evaporator outlet water temperature	°C	20									
Min. difference water inlet/outlet	°C	3									
Max. difference water inlet/outlet	°C	8									
Min. condenser outlet water temperature	°C	20									
Maximum condenser outlet water temperature : Full capacity operation	°C	56									

Evaporator and condenser water Delta T = 5°C

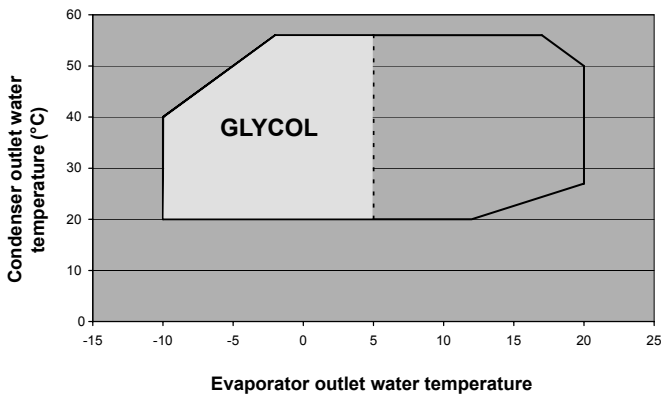
REMOTE CONDENSER

MRC

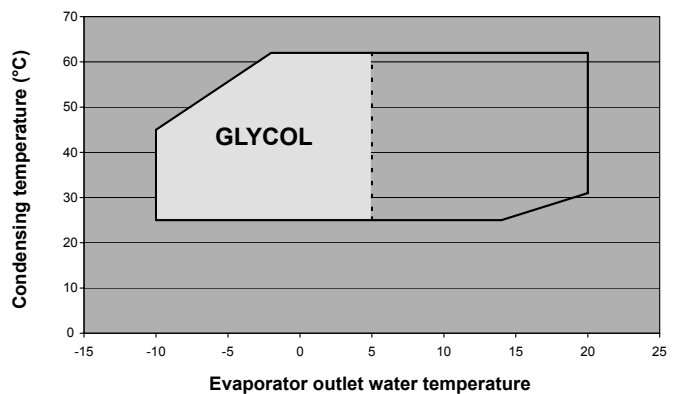
MRC		180	230	280	330	380	450	510	570	650	720
Min. evaporator outlet water temperature	°C	5									
Max. evaporator outlet water temperature	°C	20									
Min. difference water inlet/outlet	°C	3									
Max. difference water inlet/outlet	°C	8									
Minimum discharge temperature	°C	25									
Maximum discharge temperature : Full capacity operation	°C	62									

Evaporator water Delta T = 5°C

MWC
Operating limits



MRC
Operating limits



UNITS

MWC/MRC

MWC™		180	230	280	330	380
Minimum and maximum voltage	V	380 V / 420 V				
Maximum power	kW	68,9	87,8	106,8	125,7	144,5
Maximum current	A	123,8	152,2	181,0	209,4	237,6
Maximum current (with cos phi 0,95 option)	A	104,8	133,5	162,6	191,3	219,8
Start-up intensity	A	266,9	402,9	431,7	460,1	488,3
Start-up intensity (with sofstarter option)	A	197,3	278,9	307,7	336,1	364,3
Start-up intensity (with cos phi 0,95 option)	A	183,0	264,6	293,7	322,4	350,9
Maximum connectable power section	mm ²	185	185	185	185	185

MWC™		450	510	570	650	720
Minimum and maximum voltage	V	380 V / 420 V				
Maximum power	kW	165,8	191,3	216,7	243,7	270,8
Maximum current	A	268,6	312,4	356,2	400,3	444,4
Maximum current (with cos phi 0,95 option)	A	252,0	290,7	329,5	370,5	411,5
Start-up intensity	A	495,9	563,1	606,9	734,3	778,4
Start-up intensity (with sofstarter option)	A	387,1	439,1	482,9	571,1	615,2
Start-up intensity (with cos phi 0,95 option)	A	373,2	421,9	460,6	546,8	587,8
Maximum connectable power section	mm ²	300	300	300	300	300

COOLING MODE

MWC		Condenser water outlet temperature															
		30				35				40				45			
		Pf	Pe	Wf	Dp	Pf	Pe	Wf	Dp	Pf	Pe	Wf	Dp	Pf	Pe	Wf	Dp
		kW	kW	m³/h	kPa	kW	kW	m³/h	kPa	kW	kW	m³/h	kPa	kW	kW	m³/h	kPa
5 °C	180	183,6	35,0	31,6	34,1	174,8	39,2	30,1	31,1	164,8	43,6	28,4	27,9	153,8	48,4	26,5	24,5
	230	229,9	44,6	39,6	28,2	218,5	49,7	37,6	25,7	205,9	55,3	35,4	23,1	192,1	61,4	33,0	20,3
	280	276,7	53,6	47,6	39,6	263,2	59,3	45,3	36,2	248,4	65,7	42,7	32,5	232,4	73,0	40,0	28,8
	330	329,6	63,7	56,7	30,8	312,8	70,4	53,8	28,0	294,6	78,0	50,7	25,0	275,1	86,7	47,3	22,1
	380	375,6	72,9	64,6	39,2	356,5	80,3	61,3	35,6	336,0	89,0	57,8	31,9	314,1	98,9	54,0	28,2
	450	437,0	85,5	75,2	39,4	415,5	94,3	71,5	35,9	392,0	104,4	67,4	32,2	366,4	115,9	63,0	28,4
	510	492,4	97,8	84,7	49,3	467,9	107,8	80,5	44,8	441,4	119,5	75,9	40,2	412,7	132,8	71,0	35,5
	570	563,2	110,1	96,9	44,9	534,5	121,2	92,0	40,6	503,6	134,3	86,6	36,2	470,5	149,4	80,9	31,8
	650	633,5	127,2	109,0	56,2	602,7	139,4	103,7	51,1	569,0	153,5	97,9	45,8	532,3	169,7	91,6	40,3
	720*	705,6	146,3	101,2	48,7	672,1	159,8	96,4	44,4	634,9	175,3	91,0	39,8	594,0	192,9	85,2	35,1
7 °C	180	195,6	34,9	33,7	38,3	186,1	39,3	32,0	34,9	175,5	43,9	30,2	31,3	163,8	48,7	28,2	27,6
	230	245,1	44,8	42,2	31,7	232,8	49,9	40,1	28,9	219,3	55,6	37,7	25,9	204,7	61,9	35,2	22,8
	280	295,3	53,9	50,8	44,6	280,7	59,7	48,3	40,7	264,8	66,2	45,6	36,6	247,8	73,5	42,6	32,4
	330	351,7	64,3	60,5	34,8	333,6	70,9	57,4	31,5	314,2	78,6	54,1	28,2	293,4	87,4	50,5	24,9
	380	400,9	73,6	69,0	44,3	380,4	81,0	65,4	40,2	358,5	89,7	61,7	36,0	335,0	99,6	57,6	31,8
	450	466,1	86,3	80,2	44,5	442,9	95,0	76,2	40,4	417,8	105,1	71,9	36,3	390,7	116,6	67,2	32,0
	510	525,4	98,7	90,4	55,6	499,0	108,7	85,9	50,5	470,6	120,4	81,0	45,3	440,1	133,7	75,7	40,0
	570	601,1	111,2	103,4	50,8	570,3	122,3	98,1	46,0	537,2	135,4	92,4	41,0	501,9	150,5	86,3	36,0
	650	675,5	128,5	116,2	63,5	642,3	140,6	110,5	57,7	606,3	154,7	104,3	51,7	567,3	170,8	97,6	45,5
	720*	751,5	147,8	107,7	55,0	715,5	161,1	102,6	50,0	675,8	176,6	96,9	44,9	632,4	194,1	90,7	39,5
8 °C	180	201,8	34,9	34,7	40,6	192,0	39,3	33,0	37,0	181,0	44,0	31,1	33,2	169,0	48,9	29,1	29,2
	230	252,9	44,8	43,5	33,6	240,2	50,0	41,3	30,6	226,3	55,8	38,9	27,4	211,2	62,1	36,3	24,2
	280	304,8	54,0	52,4	47,3	289,7	59,9	49,8	43,1	273,3	66,4	47,0	38,8	255,8	73,8	44,0	34,3
	330	363,1	64,6	62,5	36,9	344,4	71,2	59,3	33,4	324,3	79,0	55,8	29,9	302,9	87,7	52,1	26,4
	380	414,0	74,0	71,2	47,0	392,8	81,4	67,6	42,6	370,1	90,1	63,7	38,2	345,9	100,0	59,5	33,7
	450	481,1	86,7	82,8	47,2	457,1	95,4	78,6	42,9	431,2	105,5	74,2	38,5	403,3	116,9	69,4	33,9
	510	542,3	99,2	93,3	59,0	515,1	109,2	88,6	53,6	485,8	120,8	83,6	48,1	454,4	134,1	78,2	42,4
	570	620,7	111,8	106,8	54,0	588,7	122,9	101,3	48,8	554,5	136,0	95,4	43,6	518,1	151,1	89,1	38,3
	650	697,2	129,1	119,9	67,5	662,8	141,2	114,0	61,2	625,5	155,3	107,6	54,8	585,4	171,4	100,7	48,3
	720*	775,2	148,5	111,1	58,3	737,9	161,8	105,8	53,1	696,9	177,2	99,9	47,6	652,2	194,7	93,5	41,9
10 °C	180	214,7	34,8	36,9	45,5	204,2	39,3	35,1	41,5	192,5	44,1	33,1	37,2	179,8	49,2	30,9	32,8
	230	269,0	45,0	46,3	37,6	255,5	50,3	44,0	34,2	240,7	56,1	41,4	30,7	224,7	62,5	38,7	27,1
	280	324,4	54,4	55,8	53,1	308,3	60,3	53,0	48,3	290,9	66,9	50,0	43,4	272,3	74,3	46,9	38,5
	330	386,7	65,1	66,5	41,4	366,7	71,9	63,1	37,5	345,3	79,6	59,4	33,6	322,7	88,4	55,5	29,6
	380	440,9	74,8	75,9	52,8	418,2	82,2	72,0	47,9	394,1	90,9	67,8	42,9	368,5	100,8	63,4	37,9
	450	512,0	87,5	88,1	53,0	486,5	96,2	83,7	48,2	458,9	106,3	79,0	43,2	429,4	117,7	73,9	38,2
	510	577,3	100,2	99,3	66,3	548,2	110,2	94,3	60,2	517,0	121,8	89,0	54,0	483,8	135,1	83,2	47,7
	570	660,9	113,0	113,7	60,9	626,8	124,1	107,8	55,0	590,4	137,2	101,6	49,1	551,8	152,3	94,9	43,2
	650	741,7	130,4	127,6	75,9	705,0	142,5	121,3	68,9	665,4	156,5	114,5	61,7	622,8	172,5	107,2	54,4
	720*	823,8	150,0	118,1	65,5	784,0	163,2	112,4	59,6	740,5	178,5	106,2	53,4	693,3	195,8	99,4	47,1
12 °C	180	228,1	34,7	39,2	50,9	216,9	39,4	37,3	46,4	204,6	44,3	35,2	41,6	191,1	49,5	32,9	36,7
	230	285,8	45,1	49,2	42,1	271,4	50,5	46,7	38,3	255,8	56,5	44,0	34,3	238,9	63,0	41,1	30,3
	280	344,8	54,7	59,3	59,3	327,6	60,7	56,4	54,0	309,2	67,4	53,2	48,6	289,6	74,8	49,8	43,1
	330	411,2	65,7	70,7	46,4	389,9	72,5	67,1	42,1	367,3	80,3	63,2	37,7	343,3	89,1	59,1	33,2
	380	468,9	75,6	80,7	59,2	444,7	83,0	76,5	53,7	419,1	91,7	72,1	48,1	392,1	101,6	67,5	42,5
	450	544,2	88,3	93,6	59,4	517,1	97,0	89,0	54,0	488,0	107,0	84,0	48,5	456,9	118,4	78,6	42,9
	510	613,6	101,3	105,6	74,3	582,7	111,2	100,2	67,5	549,6	122,8	94,6	60,5	514,6	136,1	88,5	53,5
	570	702,7	114,2	120,9	68,5	666,4	125,4	114,6	61,9	627,8	138,5	108,0	55,2	587,1	153,6	101,0	48,6
	650	787,9	131,7	135,6	85,2	748,8	143,7	128,8	77,3	706,9	157,7	121,6	69,3	662,0	173,7	113,9	61,1
	720*	874,2	151,4	125,3	73,4	831,9	164,5	119,3	66,7	785,9	179,7	112,7	59,9	736,2	197,0	105,5	52,8
14 °C	180	242,0	34,5	41,6	56,8	230,1	39,4	39,6	51,8	217,1	44,5	37,4	46,5	203,0	49,8	34,9	41,0
	230	303,3	45,3	52,2	46,9	288,0	50,8	49,5	42,7	271,5	56,8	46,7	38,3	253,8	63,4	43,7	33,8
	280	366,0	55,1	63,0	66,2	347,7	61,1	59,8	60,3	328,3	67,9	56,5	54,2	307,6	75,4	52,9	48,1
	330	436,6	66,4	75,1	51,9	414,1	73,2	71,2	47,0	390,2	81,0	67,1	42,1	365,0	89,8	62,8	37,2
	380	497,9	76,5	85,7	66,1	472,3	83,9	81,3	60,0	445,2	92,5	76,6	53,8	416,7	102,5	71,7	47,6
	450	577,7	89,2	99,4	66,4	549,0	97,8	94,4	60,4	518,3	107,8	89,2	54,2	485,6	119,2	83,5	48,0
	510	651,3	102,3	112,0	83,1	618,5	112,3	106,4	75,4	583,6	123,9	100,4	67,7	546,7	137,1	94,1	59,9
	570	746,1	115,5	128,4	76,8	707,6	126,7	121,7	69,4	666,8	139,8	114,7	62,0	623,9	154,9	107,3	54,6
	650	835,9	133,1	143,8	95,4	794,4	145,0	136,7	86,6	750,1	159,0	129,0	77,6	702,8	174,9	120,9	68,5
	720*	926,4	152,8	132,8	82,0	881,5	165,8	126,4	74,5	833,0	180,9	119,4	66,9	780,8	198,1	111,9	59,1

Pf : Net cooling capacity in kW	Pe : Effective absorbed power in cooling mode	Wf : Water flow in m³ per hour	Dp : Water pressure drop in KPa
---	---	--	---

COOLING MODE

MRC		Saturated discharge temperature																				
		40				45				50				55				60				
		Pf	Pe	Wf	Dp	Pf	Pe	Wf	Dp	Pf	Pe	Wf	Dp	Pf	Pe	Wf	Dp	Pf	Pe	Wf	Dp	
kW	kW	m ³ /h	kPa	kW	kW	m ³ /h	kPa	kW	kW	m ³ /h	kPa	kW	kW	m ³ /h	kPa	kW	kW	m ³ /h	kPa			
Evaporator water outlet temperature	5 °C	180	172,1	40,3	29,6	30,2	162,0	44,7	27,9	27,0	150,9	49,4	26,0	23,7	138,7	54,2	23,9	20,3	125,6	59,3	21,6	16,9
		230	215,6	50,9	37,1	25,1	202,9	56,6	34,9	22,4	189,1	62,8	32,5	19,7	174,2	69,5	30,0	17,0	158,2	76,8	27,2	14,2
		280	257,8	61,5	44,4	34,8	242,6	68,3	41,7	31,2	226,3	75,9	38,9	27,4	208,7	84,3	35,9	23,6	190,0	93,5	32,7	19,9
		330	308,2	72,2	53,0	27,2	289,8	80,1	49,8	24,3	270,0	89,1	46,5	21,3	249,0	99,2	42,8	18,3	226,6	110,3	39,0	15,4
		380	350,3	82,8	60,3	34,5	329,4	91,8	56,7	30,8	307,1	102,2	52,8	27,0	283,4	113,9	48,8	23,3	258,3	126,9	44,4	19,6
		450	407,2	97,5	70,1	34,6	383,3	108,1	65,9	30,9	357,4	120,0	61,5	27,1	329,6	133,4	56,7	23,3	299,9	148,1	51,6	19,5
		510	460,9	110,7	79,3	35,3	433,9	122,8	74,7	31,5	404,9	136,6	69,7	27,6	373,8	152,1	64,3	23,7	340,7	169,2	58,6	19,9
		570	527,1	124,2	90,7	39,5	495,7	137,8	85,3	35,2	462,2	153,3	79,5	30,8	426,6	170,9	73,4	26,4	388,8	190,4	66,9	22,1
		650	591,5	143,8	101,8	49,3	556,9	158,7	95,8	43,9	519,5	175,7	89,4	38,4	479,1	194,8	82,4	33,0	436,0	215,9	75,0	27,5
		720*	655,9	163,6	112,8	60,0	618,1	179,7	106,3	53,6	576,7	198,1	99,2	46,9	531,7	218,7	91,5	40,2	483,1	241,4	83,1	33,5
		180	183,6	40,3	31,6	34,1	172,9	44,9	29,7	30,5	161,1	49,7	27,7	26,8	148,3	54,7	25,5	23,0	134,5	59,9	23,1	19,2
		230	230,2	51,0	39,6	28,3	216,7	56,8	37,3	25,3	202,0	63,0	34,8	22,3	186,3	69,8	32,0	19,2	169,5	77,1	29,2	16,1
	280	275,4	61,7	47,4	39,3	259,2	68,5	44,6	35,2	241,9	76,2	41,6	31,0	223,3	84,6	38,4	26,7	203,5	93,8	35,0	22,6	
	330	329,4	72,5	56,7	30,8	309,7	80,5	53,3	27,5	288,7	89,4	49,7	24,1	266,4	99,5	45,8	20,8	242,8	110,6	41,8	17,5	
	380	374,5	83,2	64,4	39,0	352,2	92,2	60,6	34,8	328,5	102,5	56,5	30,6	303,3	114,2	52,2	26,4	276,8	127,2	47,6	22,3	
	450	435,0	97,9	74,8	39,1	409,4	108,4	70,4	34,9	382,0	120,3	65,7	30,7	352,6	133,5	60,7	26,4	321,3	148,2	55,3	22,2	
	510	492,5	111,2	84,7	40,0	463,7	123,3	79,8	35,7	432,8	137,0	74,5	31,3	399,9	152,4	68,8	27,0	365,0	169,4	62,8	22,7	
	570	563,5	124,8	96,9	44,9	530,0	138,3	91,2	39,9	494,3	153,8	85,0	35,0	456,5	171,3	78,5	30,0	416,6	190,8	71,7	25,2	
	650	631,5	144,6	108,6	55,8	594,6	159,4	102,3	49,8	554,8	176,2	95,5	43,6	512,2	195,2	88,1	37,4	466,8	216,2	80,3	31,3	
	720*	699,5	164,4	120,3	67,9	659,2	180,4	113,4	60,6	615,4	198,6	105,9	53,2	568,0	219,0	97,7	45,6	517,0	241,5	88,9	38,1	
	180	189,6	40,3	32,6	36,2	178,6	45,0	30,7	32,4	166,5	49,8	28,6	28,4	153,4	54,9	26,4	24,4	139,2	60,2	24,0	20,4	
	230	237,8	51,0	40,9	30,0	223,8	56,8	38,5	26,9	208,8	63,1	35,9	23,6	192,6	70,0	33,1	20,4	175,4	77,3	30,2	17,2	
	280	284,5	61,8	49,0	41,7	267,8	68,7	46,1	37,3	250,0	76,3	43,0	32,9	230,9	84,7	39,7	28,4	210,6	94,0	36,2	24,0	
	330	340,4	72,7	58,6	32,7	320,1	80,6	55,1	29,2	298,4	89,6	51,3	25,6	275,5	99,6	47,4	22,1	251,3	110,7	43,2	18,7	
	380	387,1	83,4	66,6	41,5	364,0	92,4	62,6	37,0	339,6	102,7	58,4	32,6	313,7	114,4	54,0	28,1	286,4	127,3	49,3	23,8	
	450	449,3	98,1	77,3	41,5	423,0	108,6	72,8	37,1	394,8	120,4	67,9	32,6	364,6	133,6	62,7	28,1	332,6	148,2	57,2	23,7	
	510	508,9	111,5	87,5	42,6	479,1	123,5	82,4	38,0	447,3	137,2	77,0	33,3	413,5	152,5	71,1	28,7	377,7	169,6	65,0	24,2	
	570	582,4	125,1	100,2	47,8	547,7	138,7	94,2	42,5	511,0	154,1	87,9	37,3	472,1	171,6	81,2	32,0	431,1	191,0	74,2	26,9	
	650	652,2	145,0	112,2	59,4	614,1	159,7	105,7	52,9	573,2	176,5	98,6	46,4	529,5	195,4	91,1	39,9	482,9	216,3	83,1	33,4	
	720*	722,0	164,8	124,2	72,1	680,6	180,7	117,1	64,4	635,5	198,8	109,3	56,5	586,9	219,1	101,0	48,5	534,6	241,6	92,0	40,6	
	180	202,0	40,3	34,8	40,7	190,3	45,0	32,7	36,4	177,6	50,0	30,6	32,0	163,8	55,3	28,2	27,6	149,1	60,7	25,6	23,2	
	230	253,4	51,1	43,6	33,7	238,6	57,0	41,1	30,2	222,8	63,3	38,3	32,6	205,8	70,2	35,4	23,0	187,7	77,7	32,3	19,5	
	280	303,4	62,0	52,2	46,9	285,7	68,9	49,1	42,0	266,8	76,6	45,9	37,1	246,7	85,0	42,4	32,1	225,4	94,3	38,8	27,2	
	330	363,2	73,1	62,5	36,9	341,6	81,0	58,8	32,9	318,7	89,9	54,8	29,0	294,5	100,0	50,7	25,0	269,1	111,0	46,3	21,2	
	380	413,0	83,9	71,1	46,8	388,5	92,9	66,8	41,8	362,7	103,1	62,4	36,8	335,4	114,7	57,7	31,8	306,6	127,7	52,8	27,0	
	450	479,1	98,6	82,4	46,8	451,2	109,0	77,6	41,9	421,5	120,7	72,5	36,9	389,7	133,9	67,1	31,9	356,1	148,4	61,3	26,9	
510	542,7	112,1	93,4	48,1	511,1	124,0	87,9	42,9	477,5	137,6	82,2	37,7	441,9	152,9	76,0	32,6	404,3	169,9	69,6	27,5		
570	621,4	125,9	106,9	54,1	584,6	139,3	100,6	48,2	545,7	154,7	93,9	42,2	504,6	172,1	86,8	36,4	461,5	191,5	79,4	30,7		
650	695,0	145,7	119,6	67,0	654,6	160,3	112,6	59,8	611,4	177,0	105,2	52,5	565,4	195,8	97,3	45,2	516,5	216,6	88,9	38,0		
720*	768,6	165,6	132,2	81,3	724,7	181,4	124,7	72,6	677,2	199,3	116,5	63,8	626,1	219,4	107,7	54,9	571,4	241,7	98,3	46,1		
180	215,1	40,2	37,0	45,7	202,7	45,1	34,9	40,9	189,3	50,2	32,6	36,1	174,9	55,6	30,1	31,1	159,5	61,2	27,4	26,2		
230	269,8	51,1	46,4	37,8	254,2	57,1	43,7	33,9	237,5	63,5	40,9	29,9	219,7	70,5	37,8	26,0	200,8	78,0	34,5	22,0		
280	323,0	62,2	55,6	52,6	304,3	69,1	52,4	47,2	284,4	76,8	48,9	41,7	263,3	85,3	45,3	36,2	241,0	94,6	41,5	30,8		
330	387,0	73,4	66,6	41,5	364,2	81,3	62,7	37,1	340,0	90,3	58,5	32,7	314,6	100,3	54,1	28,3	287,9	111,4	49,5	24,0		
380	440,1	84,4	75,7	52,6	414,2	93,3	71,3	47,0	386,9	103,6	66,6	41,5	358,2	115,1	61,6	35,9	328,0	128,0	56,4	30,5		
450	510,3	99,0	87,8	52,7	480,9	109,4	82,7	47,2	449,5	121,1	77,3	41,6	416,3	134,1	71,6	36,0	381,1	148,6	65,6	30,5		
510	578,0	112,7	99,4	54,2	544,6	124,6	93,7	48,4	509,2	138,1	87,6	42,6	471,8	153,3	81,2	36,9	432,3	170,2	74,4	31,3		
570	662,1	126,7	113,9	61,1	623,2	140,1	107,2	54,4	582,1	155,4	100,1	47,8	538,9	172,7	92,7	41,2	493,6	192,1	84,9	34,9		
650	739,6	146,6	127,2	75,5	697,0	161,0	119,9	67,4	651,5	177,6	112,1	59,3	603,1	196,2	103,8	51,1	552,0	217,0	95,0	43,2		
720*	817,1	166,4	140,6	91,3	770,8	182,0	132,6	81,7	720,9	199,8	124,0	71,9	667,3	219,7	114,8	62,0	610,2	241,9	105,0	52,3		
180	228,7	40,0	39,3	51,1	215,7	45,1	37,1	45,9	201,6	50,4	34,7	40,5	186,6	55,9	32,1	35,1	170,5	61,6	29,3	29,7		
230	286,9	51,2	49,4	42,3	270,4	57,2	46,5	38,0	252,9	63,7	43,5	33,6	234,3	70,8	40,3	29,2	214,6	78,4	36,9	24,9		
280	343,5	62,5	59,1	58,9	323,8	69,4	55,7	52,9	302,9	77,1	52,1	46,8	280,7	85,7	48,3	40,7	257,4	95,0	44,3	34,7		
330	411,9	73,8	70,9	46,6	387,8	81,7	66,7	41,6	362,4	90,7	62,4	36,7	335,7	100,7	57,8	31,9	307,8	111,8	52,9	27,1		
380	468,3	85,0	80,6	59,0	441,0	93,9	75,9	52,8	412,3	104,1	70,9	46,6	382,1	115,6	65,7	40,5	350,5	128,4	60,3	34,5		
450	542,9	99,5	93,4	59,1	511,9	109,8	88,1	53,0	479,0	121,4	82,4	46,8	444,2	134,4	76,4	40,7	407,4	148,8	70,1	34,6		
510	614,9	113,4	105,8	60,9	579,7	125,2	99,7	54,5	542,4	138,6	93,3	48,0	503,2	153,8	86,6	41,7	461,9	170,6	79,5	35,4		
570	704,6	127,5	121,2	68,8	663,5	140,8	114,2	61,4	620,3	156,1	106,7	54,0	5									

HEATING MODE

MWC		Outdoor air temperature																
		40				45				50				55				
		Ph	Pe	Wf	Dp	Ph	Pe	Wf	Dp	Ph	Pe	Wf	Dp	Ph	Pe	Wf	Dp	
		kW	kW	m³/h	kPa	kW	kW	m³/h	kPa	kW	kW	m³/h	kPa	kW	kW	m³/h	kPa	
5 °C	180	200,1	43,6	34,4	40,0	194,1	48,4	33,4	37,8	187,2	53,4	32,2	35,3	179,5	58,6	30,9	32,7	
	230	250,7	55,3	43,1	33,1	243,4	61,4	41,9	31,3	235,4	68,1	40,5	29,5	226,7	75,4	39,0	27,5	
	280	301,6	65,7	51,9	26,1	293,2	73,0	50,4	24,8	284,3	80,9	48,9	23,4	275,1	89,7	47,3	22,0	
	330	357,7	78,0	61,5	35,9	347,4	86,7	59,8	34,0	336,7	96,4	57,9	32,1	325,8	107,2	56,0	30,2	
	380	408,0	89,0	70,2	34,7	396,5	98,9	68,2	32,9	384,8	110,2	66,2	31,1	372,9	122,7	64,2	29,3	
	450	475,9	104,7	81,9	37,5	462,5	116,2	79,6	35,5	448,5	129,0	77,2	33,5	433,9	143,2	74,6	31,5	
	510	538,4	119,5	92,6	43,8	523,7	132,8	90,1	41,6	508,6	147,8	87,5	39,3	493,1	164,4	84,8	37,1	
	570	612,4	134,3	105,4	52,7	595,1	149,4	102,4	49,9	577,5	166,4	99,4	47,1	559,7	185,3	96,3	44,3	
	650	693,6	153,5	119,3	29,3	673,9	169,7	115,9	27,7	653,4	187,8	112,4	26,2	632,0	208,0	108,7	24,6	
	720*	771,9	175,1	132,8	35,8	749,9	192,7	129,0	33,9	726,3	212,5	125,0	31,9	701,2	234,3	120,6	29,9	
	7 °C	180	210,6	43,9	36,2	43,9	204,0	48,7	35,1	41,4	196,6	53,9	33,8	38,7	188,4	59,3	32,4	35,7
		230	264,0	55,6	45,4	36,4	255,9	61,9	44,0	34,3	247,1	68,7	42,5	32,2	237,8	76,0	40,9	30,0
280		317,8	66,2	54,7	28,8	308,5	73,5	53,1	27,3	298,7	81,5	51,4	25,7	288,5	90,3	49,6	24,1	
330		377,1	78,6	64,9	39,5	365,6	87,4	62,9	37,3	353,7	97,1	60,9	35,1	341,6	107,9	58,8	32,9	
380		430,2	89,7	74,0	38,3	417,3	99,6	71,8	36,2	404,2	110,9	69,5	34,1	390,9	123,4	67,3	32,0	
450		501,3	105,4	86,3	41,4	486,4	116,8	83,7	39,1	470,8	129,7	81,0	36,7	454,6	143,8	78,2	34,4	
510		567,4	120,4	97,6	48,4	550,9	133,7	94,8	45,7	534,0	148,6	91,9	43,1	516,6	165,2	88,9	40,5	
570		645,7	135,4	111,1	58,3	626,3	150,5	107,7	55,0	606,6	167,5	104,4	51,7	586,7	186,4	100,9	48,5	
650		730,5	154,7	125,7	32,3	708,5	170,8	121,9	30,5	685,7	188,9	118,0	28,7	662,0	209,0	113,9	26,8	
720*		812,1	176,4	139,7	39,4	787,5	193,9	135,5	37,2	761,4	213,6	131,0	34,9	733,8	235,3	126,3	32,6	
8 °C		180	216,0	44,0	37,2	46,0	209,2	48,9	36,0	43,4	201,5	54,1	34,7	40,5	193,0	59,6	33,2	37,4
		230	270,8	55,8	46,6	38,1	262,4	62,1	45,1	35,9	253,3	69,0	43,6	33,7	243,5	76,4	41,9	31,4
	280	326,2	66,4	56,1	30,2	316,4	73,8	54,4	28,6	306,1	81,8	52,7	26,9	295,5	90,6	50,8	25,2	
	330	387,2	79,0	66,6	41,5	375,0	87,7	64,5	39,1	362,6	97,5	62,4	36,8	349,8	108,3	60,2	34,4	
	380	441,7	90,1	76,0	40,2	428,1	100,0	73,7	38,0	414,3	111,3	71,3	35,7	400,4	123,8	68,9	33,5	
	450	514,5	105,7	88,5	43,5	498,8	117,2	85,8	41,0	482,4	130,0	83,0	38,5	465,5	144,1	80,1	36,0	
	510	582,3	120,8	100,2	50,8	564,9	134,1	97,2	48,0	547,1	149,1	94,1	45,1	528,9	165,6	91,0	42,3	
	570	662,9	136,0	114,1	61,3	642,4	151,1	110,5	57,7	621,7	168,1	107,0	54,2	600,7	187,0	103,4	50,8	
	650	749,6	155,3	129,0	33,9	726,5	171,4	125,0	31,9	702,5	189,4	120,9	30,0	677,7	209,5	116,6	28,0	
	720*	832,8	177,0	143,3	41,3	807,0	194,5	138,8	38,9	779,6	214,1	134,1	36,5	750,8	235,8	129,2	34,0	
	10 °C	180	227,2	44,1	39,1	50,6	219,8	49,2	37,8	47,6	211,7	54,6	36,4	44,3	202,7	60,2	34,9	40,9
		230	285,0	56,1	49,0	41,8	275,8	62,5	47,4	39,4	266,0	69,5	45,8	36,9	255,5	77,0	44,0	34,2
280		343,5	66,9	59,1	33,3	332,8	74,3	57,2	31,4	321,6	82,4	55,3	29,4	310,0	91,3	53,3	27,5	
330		407,9	79,6	70,2	45,7	394,6	88,4	67,9	43,0	381,0	98,2	65,5	40,3	367,0	109,0	63,1	37,6	
380		465,5	90,9	80,1	44,4	450,5	100,8	77,5	41,8	435,3	112,1	74,9	39,2	420,0	124,6	72,3	36,6	
450		541,8	106,5	93,2	47,9	524,5	117,9	90,2	45,1	506,6	130,7	87,2	42,2	488,1	144,8	84,0	39,3	
510		613,3	121,8	105,5	56,0	594,1	135,1	102,2	52,8	574,5	150,0	98,8	49,5	554,5	166,6	95,4	46,3	
570		698,5	137,2	120,2	67,7	676,0	152,3	116,3	63,6	653,1	169,3	112,4	59,6	630,1	188,3	108,4	55,6	
650		789,0	156,5	135,7	37,3	763,6	172,5	131,4	35,1	737,3	190,6	126,8	32,8	710,1	210,6	122,2	30,6	
720*		875,4	178,3	150,6	45,3	847,1	195,7	145,7	42,6	817,3	215,2	140,6	39,8	786,0	236,8	135,2	37,0	
12 °C		180	238,9	44,3	41,1	55,5	231,0	49,5	39,7	52,1	222,3	55,0	38,2	48,6	212,8	60,8	36,6	44,8
		230	299,8	56,5	51,6	45,9	289,9	63,0	49,9	43,2	279,3	70,0	48,0	40,3	268,1	77,7	46,1	37,4
	280	361,5	67,4	62,2	36,6	349,9	74,8	60,2	34,4	337,8	83,1	58,1	32,2	325,2	92,0	55,9	30,1	
	330	429,7	80,3	73,9	50,3	415,1	89,1	71,4	47,2	400,3	98,9	68,9	44,2	385,2	109,8	66,3	41,1	
	380	490,4	91,7	84,4	48,9	474,0	101,6	81,5	45,9	457,4	112,9	78,7	42,9	440,6	125,4	75,8	40,1	
	450	570,4	107,3	98,1	52,8	551,5	118,7	94,9	49,6	532,1	131,4	91,5	46,3	512,0	145,5	88,1	43,1	
	510	645,6	122,8	111,1	61,8	624,6	136,1	107,5	58,0	603,2	151,0	103,8	54,3	581,4	167,5	100,0	50,7	
	570	735,7	138,5	126,6	74,8	711,0	153,6	122,3	70,0	686,1	170,6	118,0	65,4	661,0	189,5	113,7	60,9	
	650	830,0	157,7	142,8	41,0	802,3	173,7	138,0	38,5	773,7	191,7	133,1	35,9	744,2	211,7	128,0	33,4	
	720*	919,8	179,5	158,2	49,7	889,0	196,8	152,9	46,6	856,7	216,2	147,4	43,5	822,8	237,7	141,6	40,3	
	14 °C	180	251,1	44,5	43,2	60,8	242,7	49,8	41,8	57,1	233,5	55,5	40,2	53,2	223,5	61,4	38,4	49,0
		230	315,2	56,8	54,2	50,3	304,5	63,4	52,4	47,2	293,2	70,6	50,4	44,1	281,3	78,3	48,4	40,8
280		380,3	67,9	65,4	40,2	367,7	75,4	63,3	37,7	354,7	83,7	61,0	35,3	341,2	92,7	58,7	32,9	
330		452,3	81,0	77,8	55,4	436,6	89,8	75,1	51,9	420,5	99,7	72,4	48,4	404,2	110,6	69,5	45,0	
380		516,3	92,5	88,8	53,8	498,5	102,5	85,8	50,4	480,5	113,7	82,7	47,1	462,3	126,3	79,5	43,8	
450		600,2	108,1	103,3	58,2	579,8	119,4	99,7	54,5	558,8	132,2	96,1	50,8	537,1	146,2	92,4	47,1	
510		679,2	123,9	116,9	68,0	656,4	137,1	112,9	63,8	633,3	152,0	108,9	59,6	609,7	168,5	104,9	55,4	
570		774,4	139,8	133,2	82,4	747,7	154,9	128,6	77,1	720,7	171,9	124,0	71,9	693,4	190,9	119,3	66,8	
650		872,7	159,0	150,1	45,0	842,6	174,9	145,0	42,2	811,7	192,9	139,7	39,3	780,0	212,8	134,2	36,5	
720*		965,9	180,7	166,2	54,5	932,6	197,9	160,4	51,0	897,7	217,2	154,4	47,5	861,4	238,7	148,2	43,9	

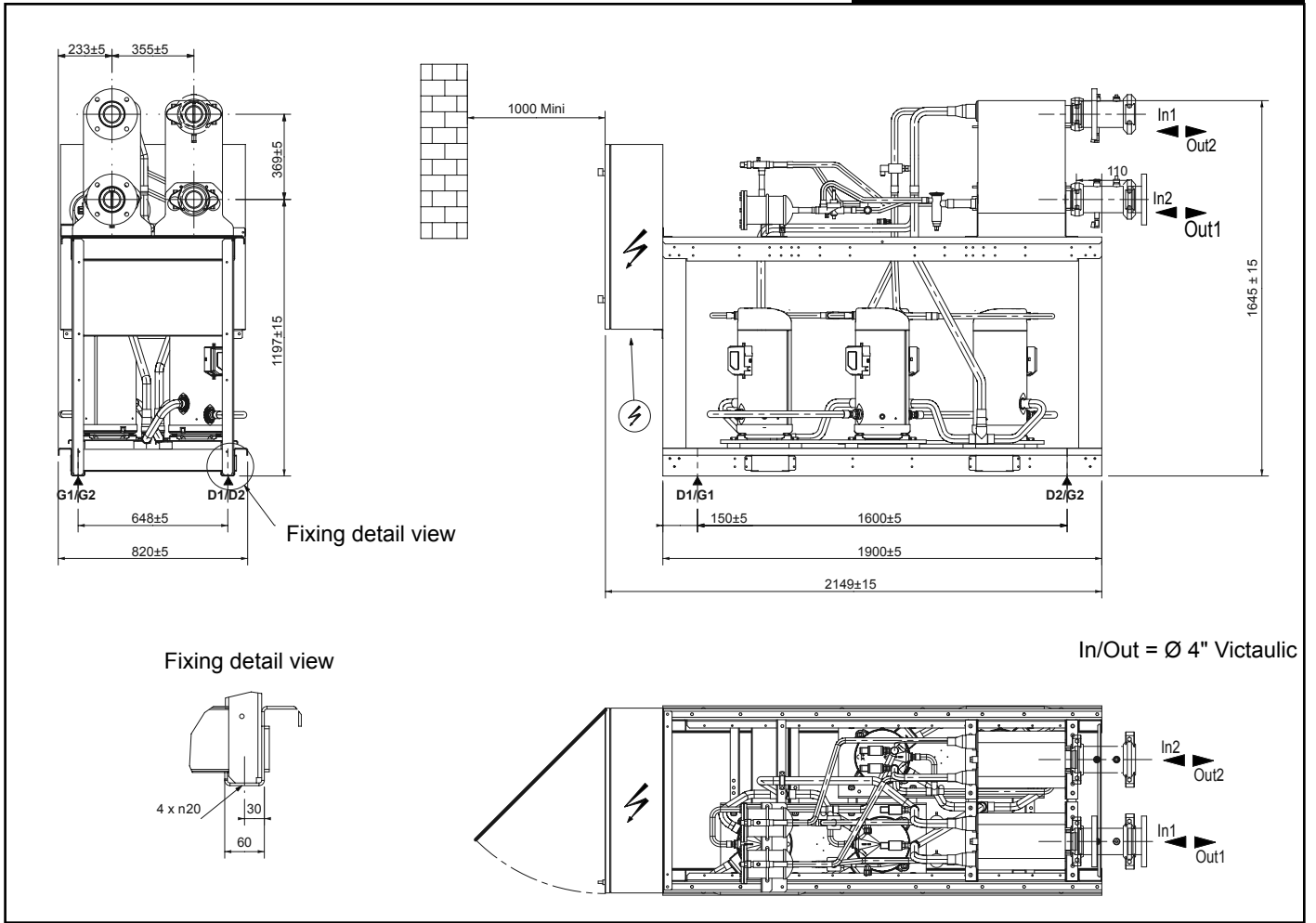
Ph :
Net heating capacity in kW

Pe :
Effective absorbed power in cooling mode

Wf :
Water flow in m³ per hour

Dp :
Water pressure drop in KPa

MWC 180



		MWC 180	MRC 180
Evaporator			
In1	Water inlet	4"	4"
Out1	Water outlet	4"	4"
Condenser			
In2	Water inlet	4"	-
Out2	Water outlet	4"	-
	Liquid line	-	7/8"
	Discharge line	-	1" 1/8

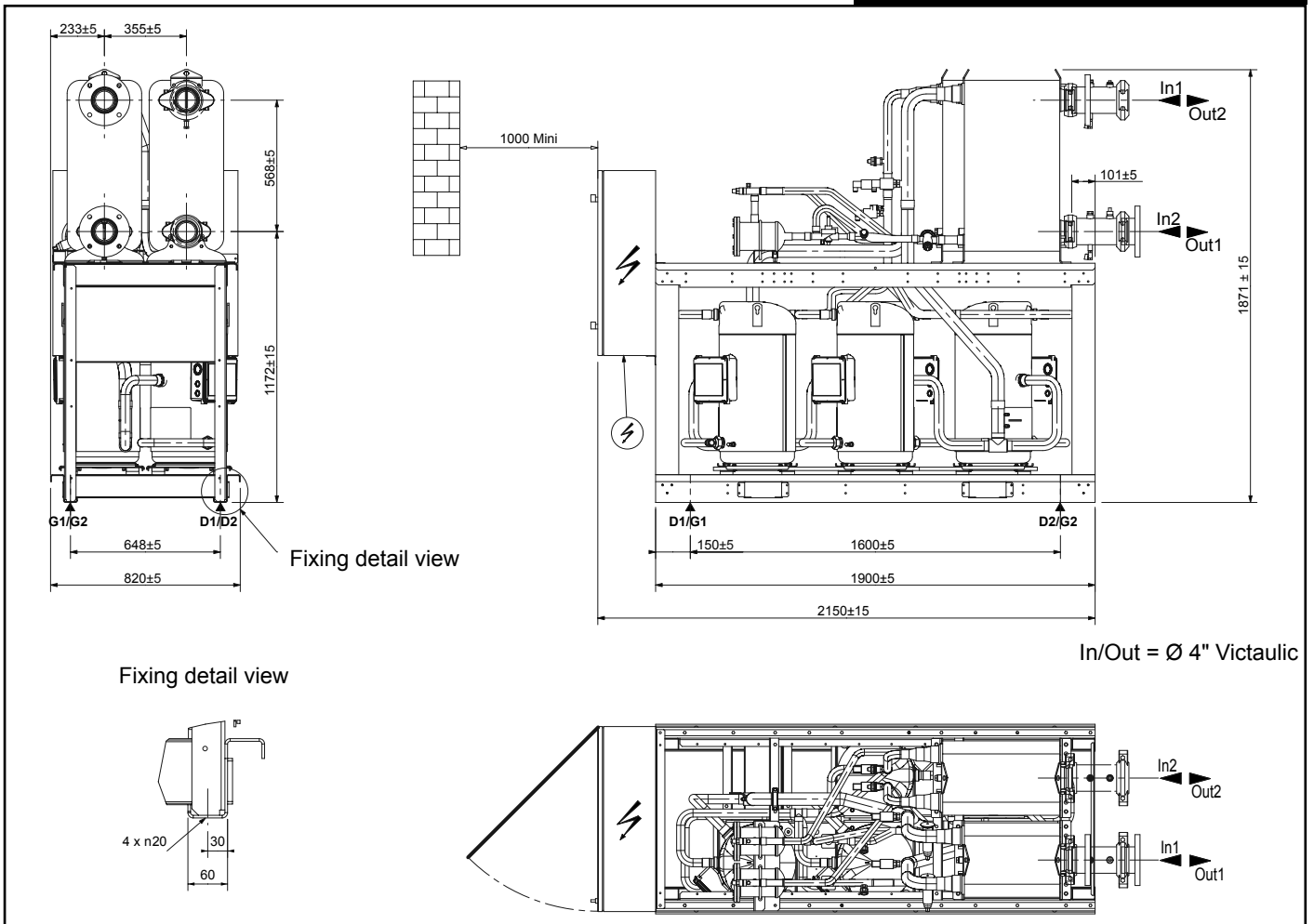
LOAD DISTRIBUTION

(Kg - Operating weights)

	MWC 180	MRC 180
D1	162	160
D2	162	150
G1	162	140
G2	262	200

Lennox recommend load distribution as detailed above

MWC 230 → 380



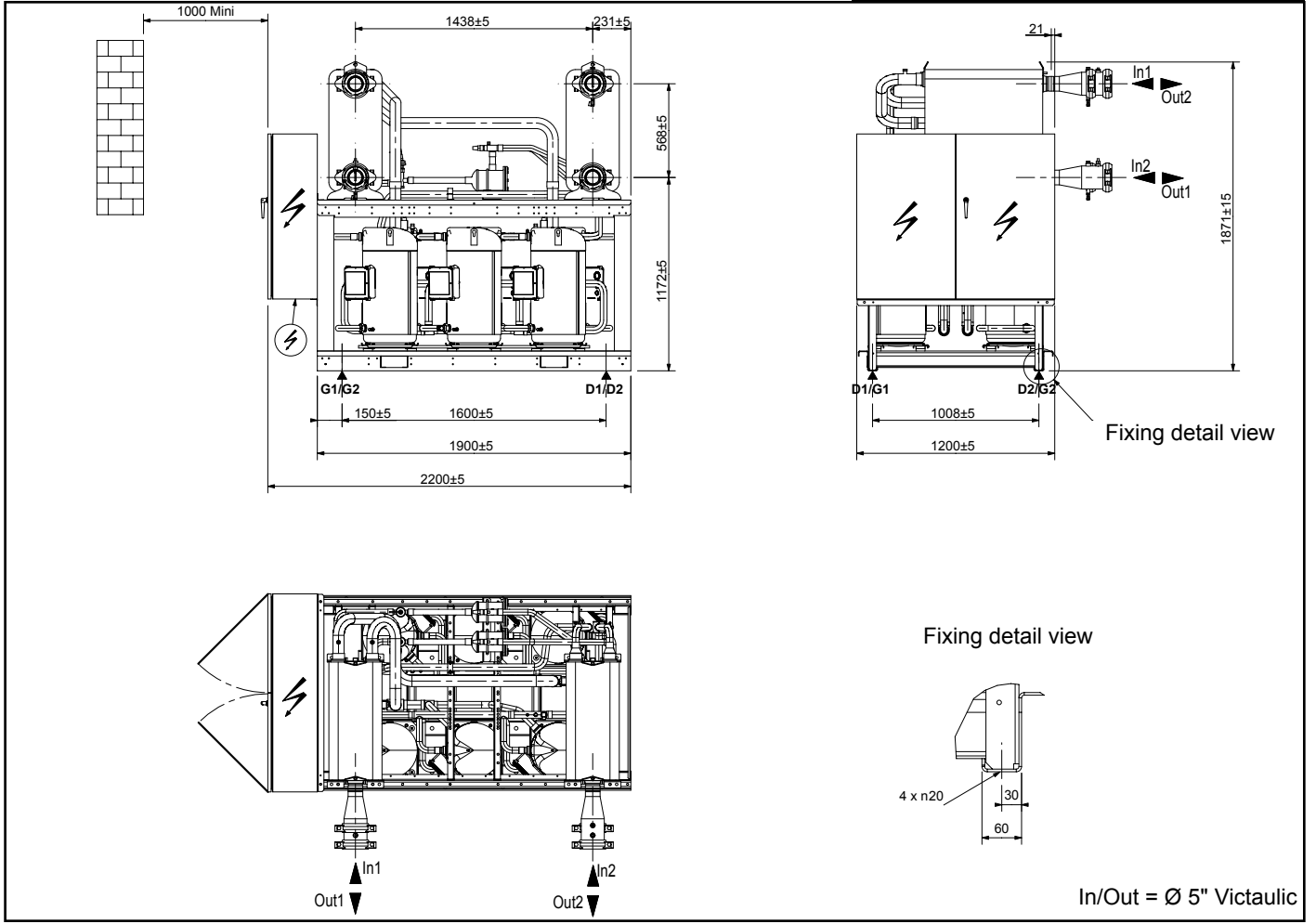
		MWC 230 → 380	MRC			
			230	280	330	380
Evaporator						
In1	Water inlet	4"	4"			
Out1	Water outlet	4"	4"			
Condenser						
In2	Water inlet	4"	-			
Out2	Water outlet	4"	-			
Liquid line		-	1" 1/8 7/8"	2 x 1"1/8	2 x 1"1/8	2 x 1" 1/8
Discharge line		-	1" 3/8 1" 1/8	2 x 1"3/8	2 x 1"3/8	2 x 1" 3/8

LOAD DITRIBUTION
(Kg - Operating weights)

	MWC 230	MWC 280	MWC 330	MWC 380	MRC 230	MRC 280	MRC 330	MRC 380
D1	204	237	277	311	200	230	270	270
D2	214	257	387	441	190	220	350	300
G1	204	247	277	321	170	210	240	310
G2	344	417	387	461	250	290	260	410

Lennox recommend load distribution as detailed above

MWC 450 → 570

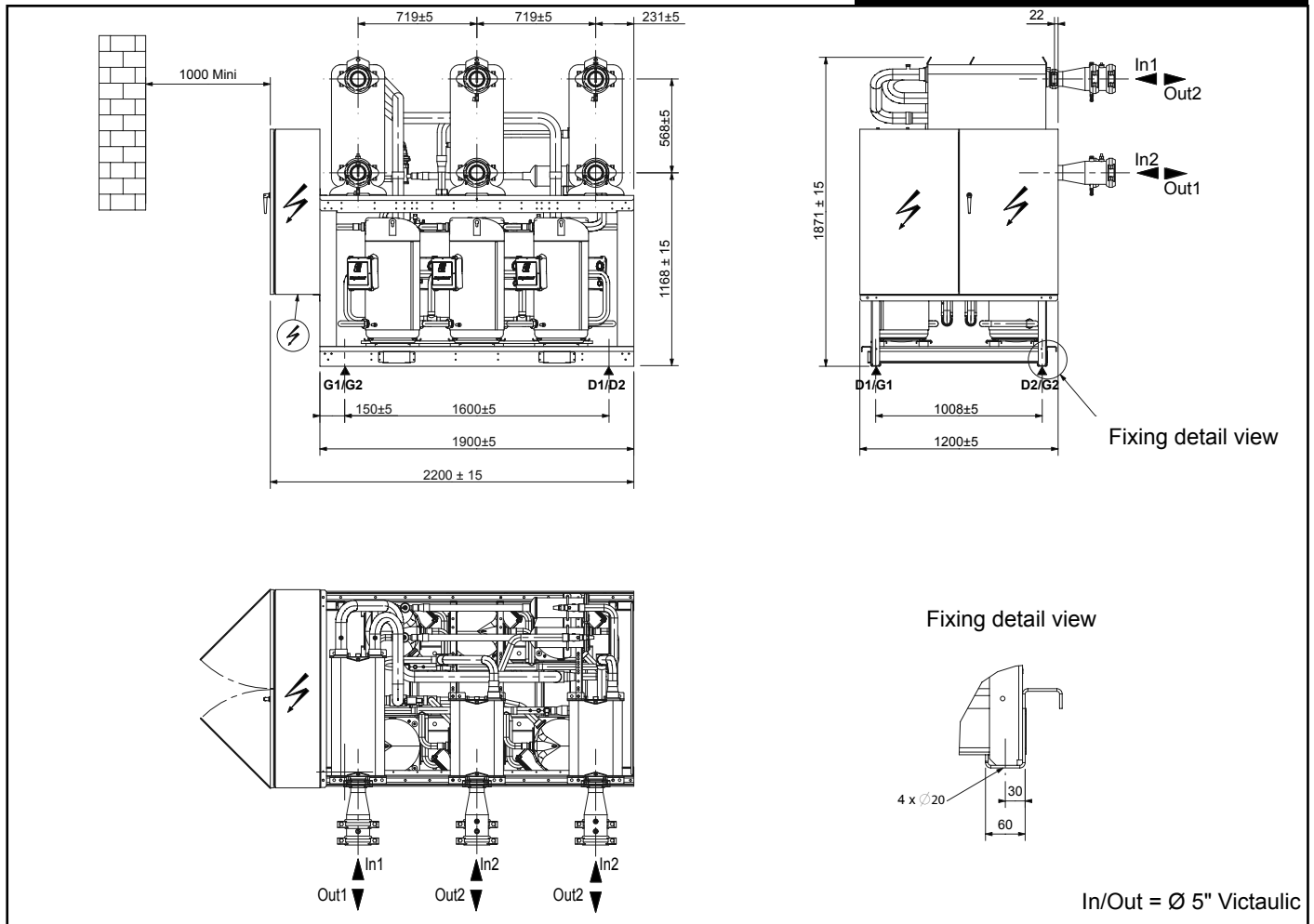


		MWC 450 → 570	MRC 450 → 570
Evaporator			
In1	Water inlet	5"	5"
Out1	Water outlet	5"	5"
Condenser			
In2	Water inlet	5"	-
Out2	Water outlet	5"	-
Liquid line		-	2 x 1" 3/8
Discharge line		-	2 x 1" 5/8

LOAD DITRIBUTION
(Kg - Operating weights)

	MWC 450	MWC 510	MWC 570	MRC 450	MRC 510	MRC 570
D1	553	575	645	540	560	630
D2	543	585	605	350	370	380
G1	453	475	515	440	460	500
G2	433	465	475	330	350	360

MWC 650 → 720



		MWC 650 → 720	MRC 650	MRC 720
Evaporator				
In1	Water inlet	5"	5"	5"
Out1	Water outlet	5"	5"	5"
Condenser				
In2	Water inlet	5"	-	-
Out2	Water outlet	5"	-	-
Liquid line C1 & C2		-	1" 5/8 1" 3/8	2 x 1" 5/8
Discharge line C1 & C2		-	2" 1/8 1" 5/8	2 x 2" 1/8

LOAD DITRIBUTION
(Kg - Operating weights)

	MWC 650	MWC 720	MRC 650	MRC 720
D1	775	785	660	670
D2	655	665	410	420
G1	545	555	530	540
G2	465	475	380	390



● **Direct Sales Offices:**

BELGIUM AND LUXEMBOURG

☎ + 32 3 633 3045

✉ info.be@lennox europe.com

FRANCE

☎ +33 1 64 76 23 23

✉ info.fr@lennox europe.com

GERMANY

☎ + 49 69 42 09 79 0

✉ info.de@lennox europe.com

NETHERLANDS

☎ + 31 332 471 800

✉ info.nl@lennox europe.com

POLAND

☎ +48 22 58 48 610

✉ info.pl@lennox europe.com

PORTUGAL

☎ +351 229 066 050

✉ info.pt@lennox europe.com

RUSSIA

☎ +7 495 626 56 53

✉ info.ru@lennox europe.com

SLOVAKIA

☎ +421 2 58 31 83 12

✉ info.sk@lennox europe.com

SPAIN

☎ +34 91 540 18 10

✉ info.sp@lennox europe.com

UKRAINE

☎ +380 44 461 87 79

✉ info.ua@lennox europe.com

UNITED KINGDOM AND IRELAND

☎ +44 1604 669 100

✉ info.uk@lennox europe.com

● **Distributors and Agents**

Algeria, Austria, Belarus, Botswana, Bulgaria, Cyprus, Czech Republic, Denmark, Estonia, Finland, Georgia, Greece, Hungary, Israel, Italy, Kazakhstan, Latvia, Lebanon, Lithuania, Morocco, Near East, Norway, Romania, Serbia, Slovenia, Sweden, Switzerland, Tunisia, Turkey

LENNOX DISTRIBUTION

☎ +33.4.72.23.20.00

✉ info.dist@lennox europe.com



MWC-AGU-0410-E

Due to Lennox's ongoing commitment to quality, the specifications, ratings and dimensions are subject to change without notice and without incurring liability.

Improper installation, adjustment, alteration, service or maintenance can cause property damage or personal injury.

Installation and service must be performed by a qualified installer and servicing agency.