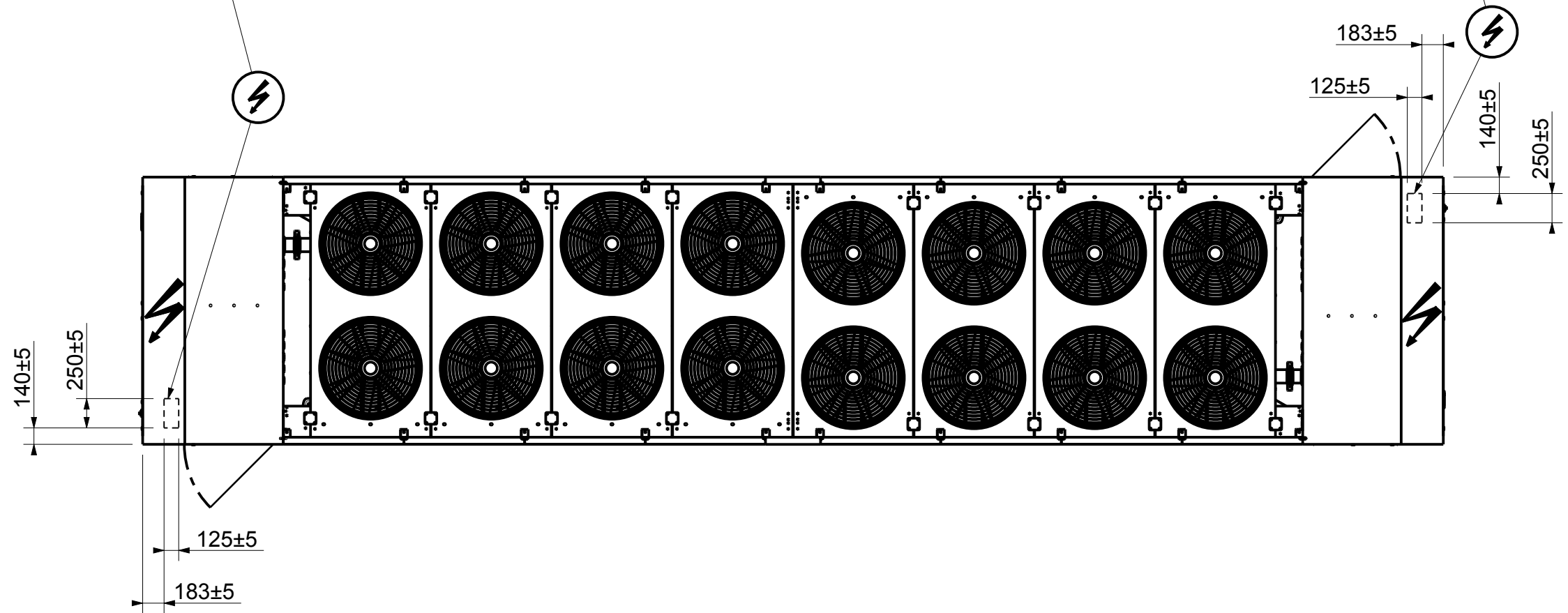
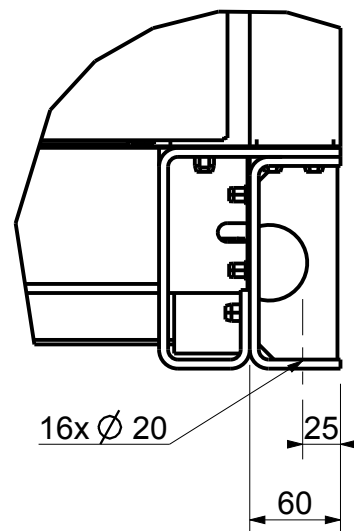


DETAIL A
ECHELLE 1/5



In = Chilled water inlet \varnothing 8" victaulic
 Out = Chilled water outlet \varnothing 8" victaulic

NAC840FNM3M / NAC960FNM3M / NAC1080FNM3M