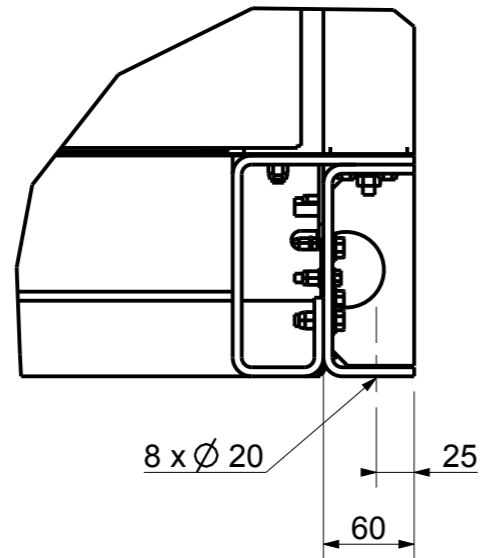
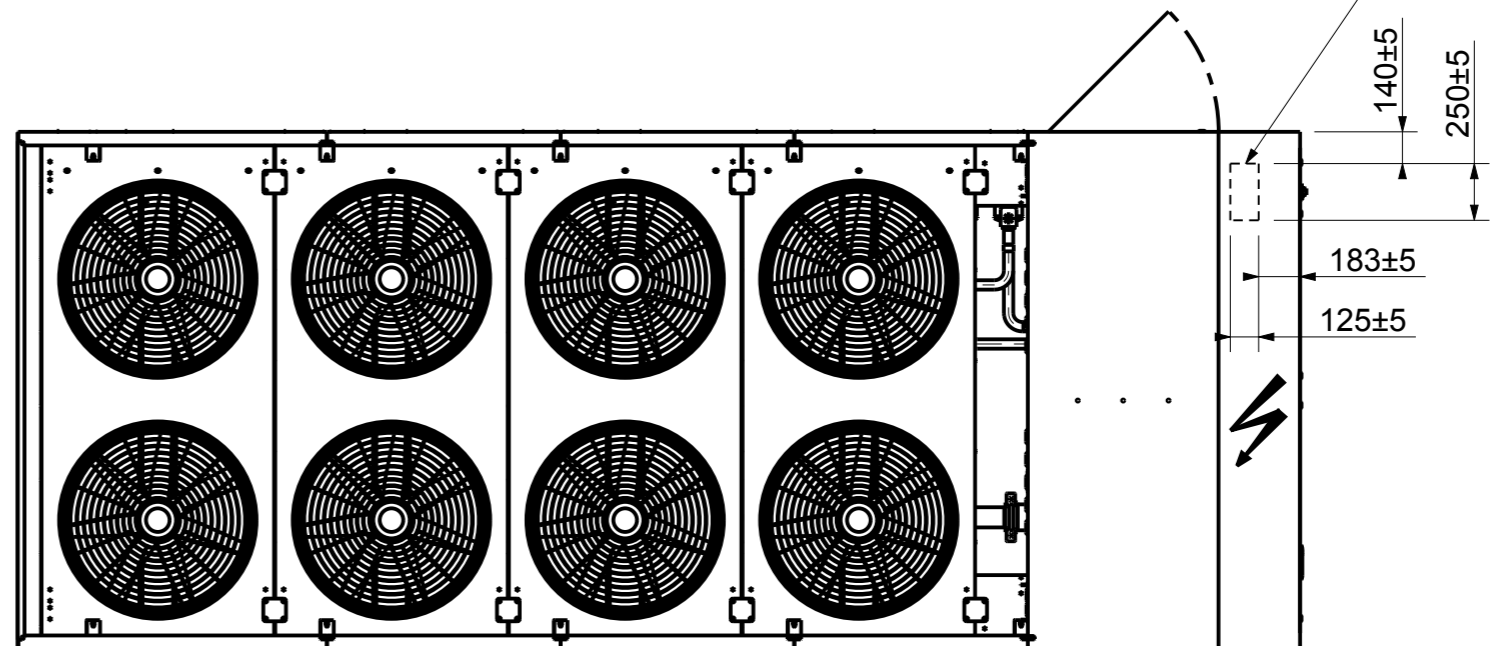


DETAIL A
ECHELLE 1/5



In1 = Chilled water inlet without hydraulic module \varnothing 6" victaulic
 In2 = Chilled water inlet with hydraulic module \varnothing 6" victaulic
 Out1 = Chilled water outlet without hydraulic module \varnothing 6" victaulic
 Out2 = Chilled water outlet with hydraulic module \varnothing 6" victaulic



NAC540DNM3M

RP - Le 14-09-2010