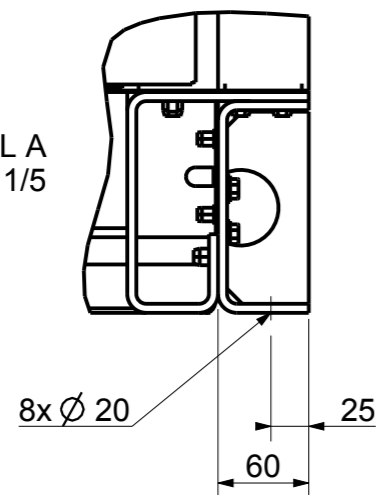


DETAIL A
ECHELLE 1/5



In1 = Chilled water inlet without hydraulic module $\varnothing 5''$ victaulic
 In2 = Chilled water inlet with hydraulic module $\varnothing 5''$ victaulic
 Out = Chilled water outlet $\varnothing 5''$ victaulic

NAC340DNM3M / NAC380DNM3M
 NAH340DNM3M

