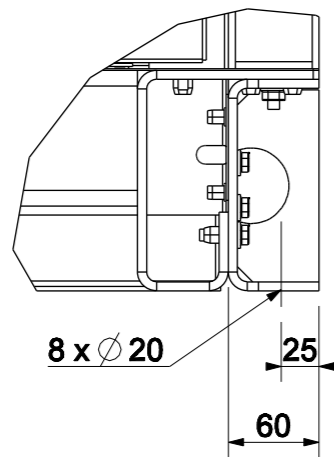
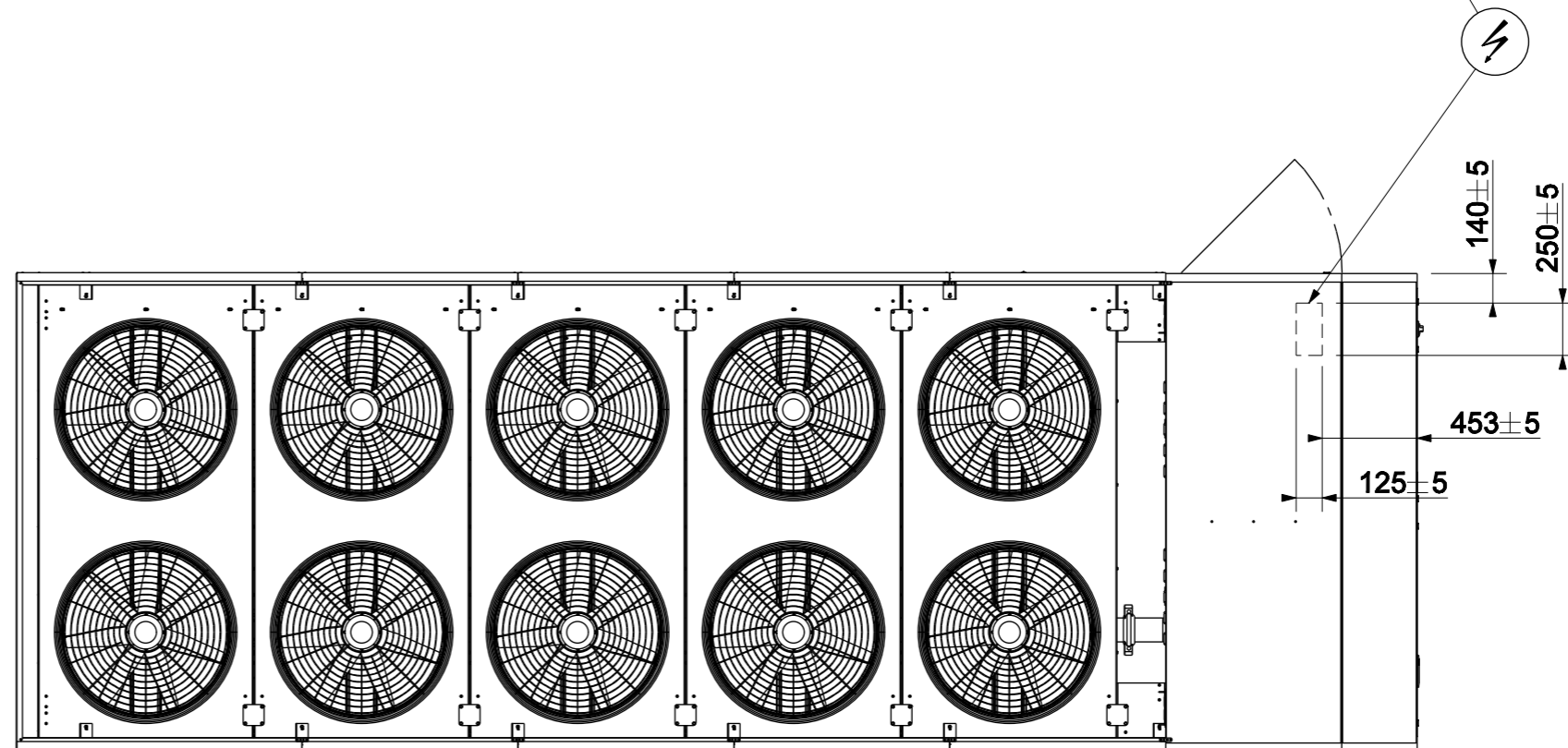


VOIR DETAIL A

DETAIL A
ECHELLE 1/5



In = Chilled water inlet ϕ 4" victaulic
 Out = Chilled water outlet ϕ 4" victaulic



NAC300DNM4M-FC2V

RP- Le 05-04-2011