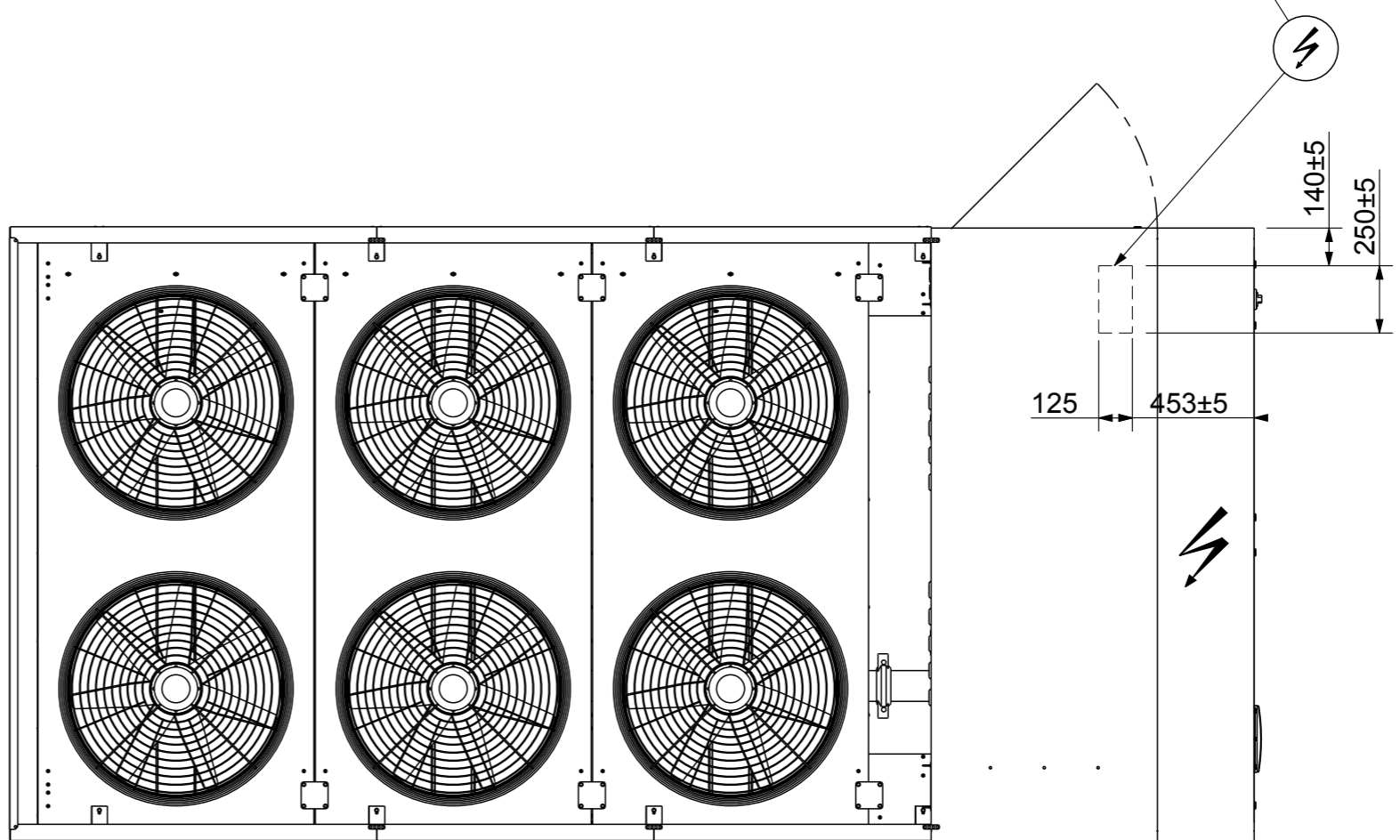
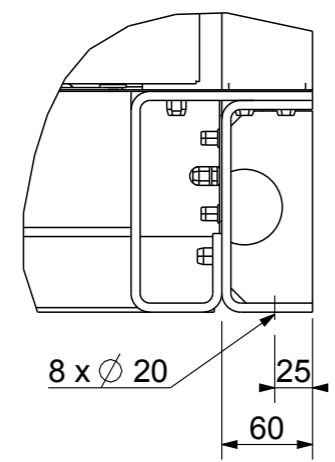


DETAIL A
ECHELLE 1/5



In = Chilled water inlet ϕ 4" victaulic
 Out = Chilled water outlet ϕ 4" victaulic

NAC200DNM4M
 NAC230DNM4M
 NAC270DNM4M