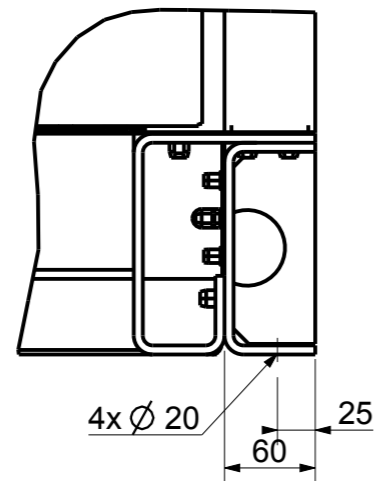


DETAIL A
ECHELLE 1/5



In1 = Chilled water inlet without hydraulic module $\varnothing 4''$ victaulic
 In2 = Chilled water inlet with hydraulic module $\varnothing 4''$ victaulic
 Out = Chilled water outlet $\varnothing 4''$ victaulic

NAC200DNM3M / NAC230DNM3M / NAC270DNM3M
 NAH200DNM3M / NAH230DNM3M

