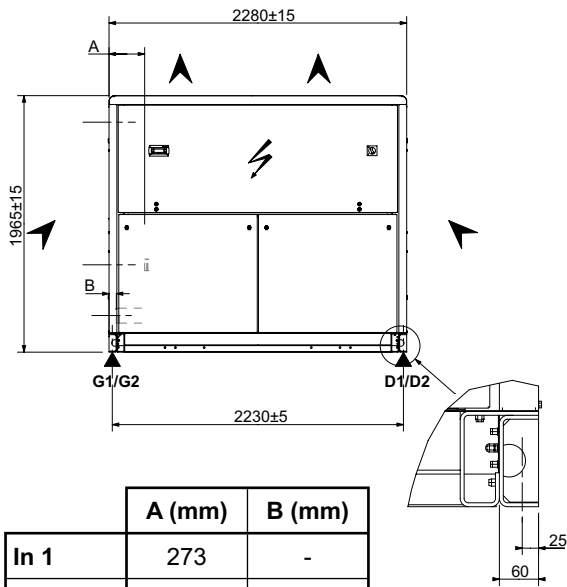


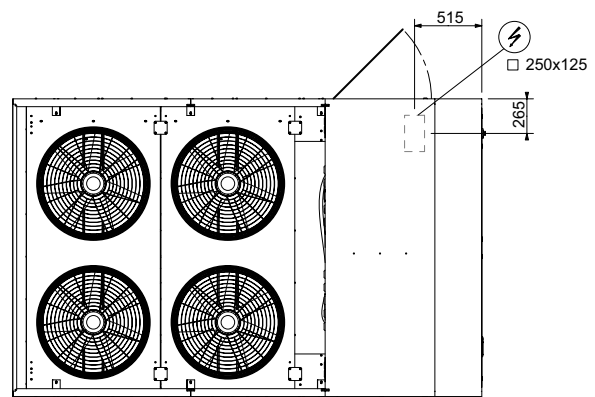
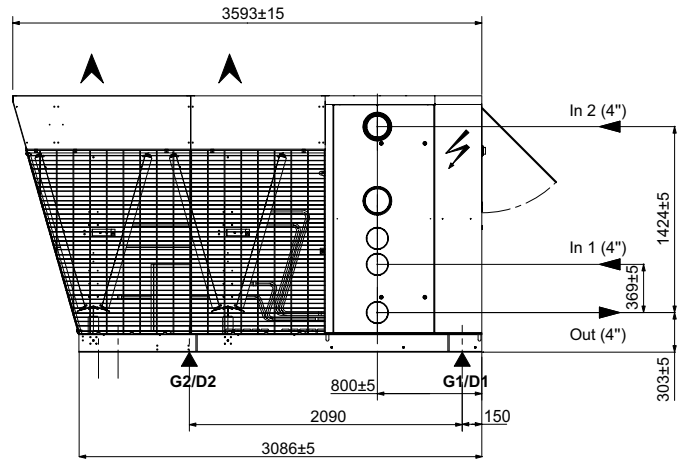
**NAC 200 / 230 / 270
NAH 200 / 230**



	A (mm)	B (mm)
In 1	273	-
In 2	62	-
Out	-	56

LEGEND :

- IN1 : Water inlet - Unit without hydraulic module
- IN2 : Water inlet - Unit with hydraulic module
- OUT : Water outlet



LOAD DISTRIBUTION

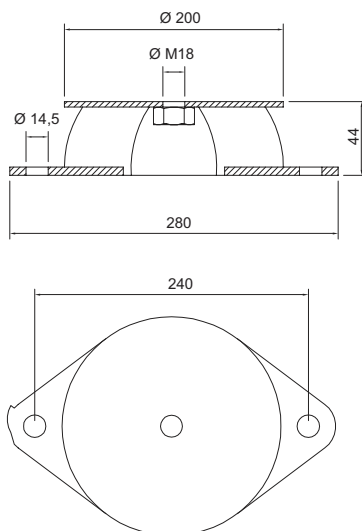
(Kg - Operating weights with dual pump hydraulic module)

	G1	G2	D1	D2
NAC 200	561	561	561	561
NAC 230	586	586	586	586
NAC 270	650	650	650	650

	G1	G2	D1	D2
NAH 200	613	613	613	613
NAH 230	631	631	631	631

Lennox recommend load distribution as detailed above,

ANTI-VIBRATION MOUNTS (OPTION)



CLEARANCES

Overhead obstructions are not permitted

