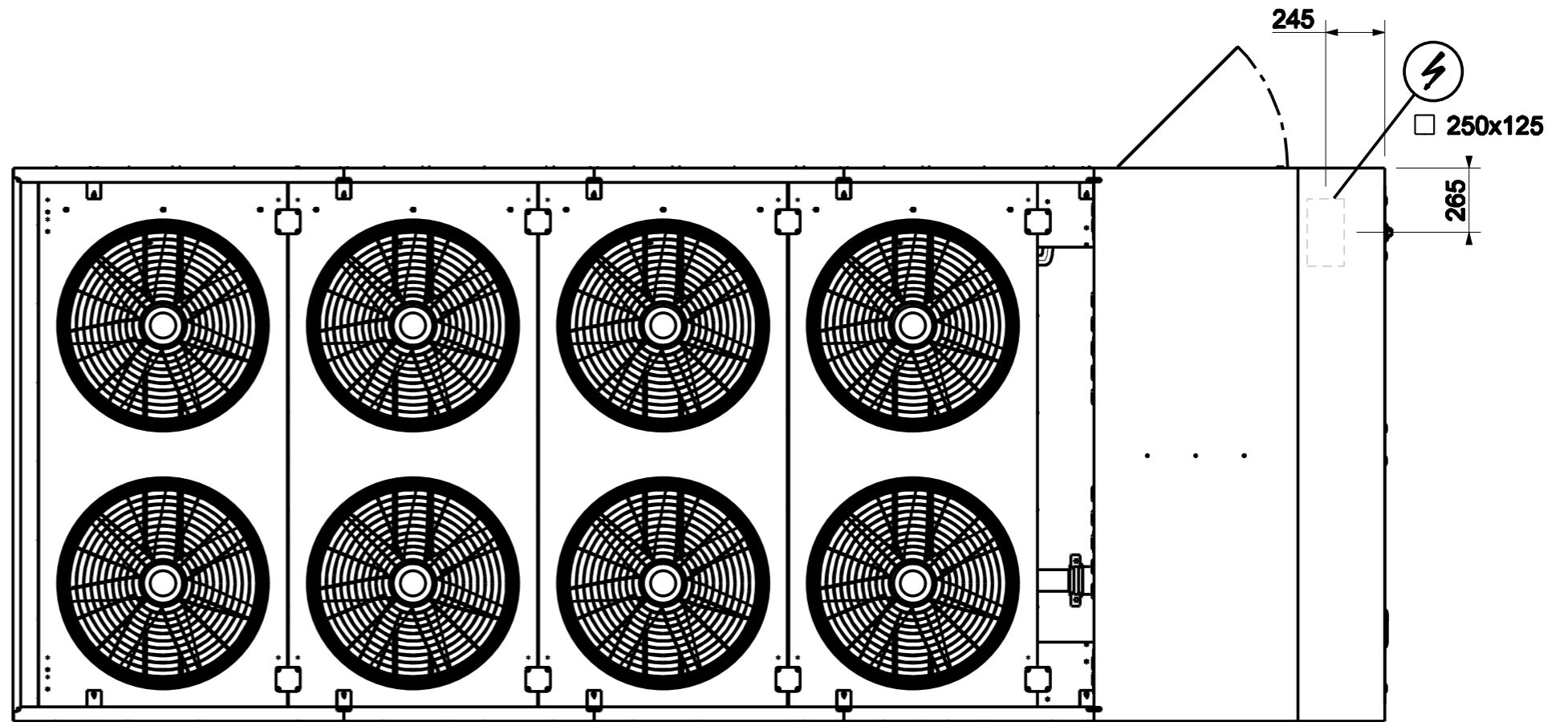
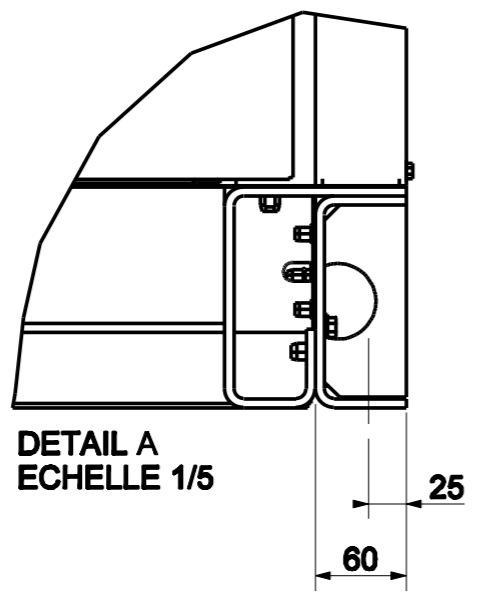


	A (mm)	B (mm)
In 1	266	-
In 2	281	-
Out	-	136
Out (MH)	-	122



**NAC420DNM2M / NAC480DNM2M**  
 BT - Le 12/03/09