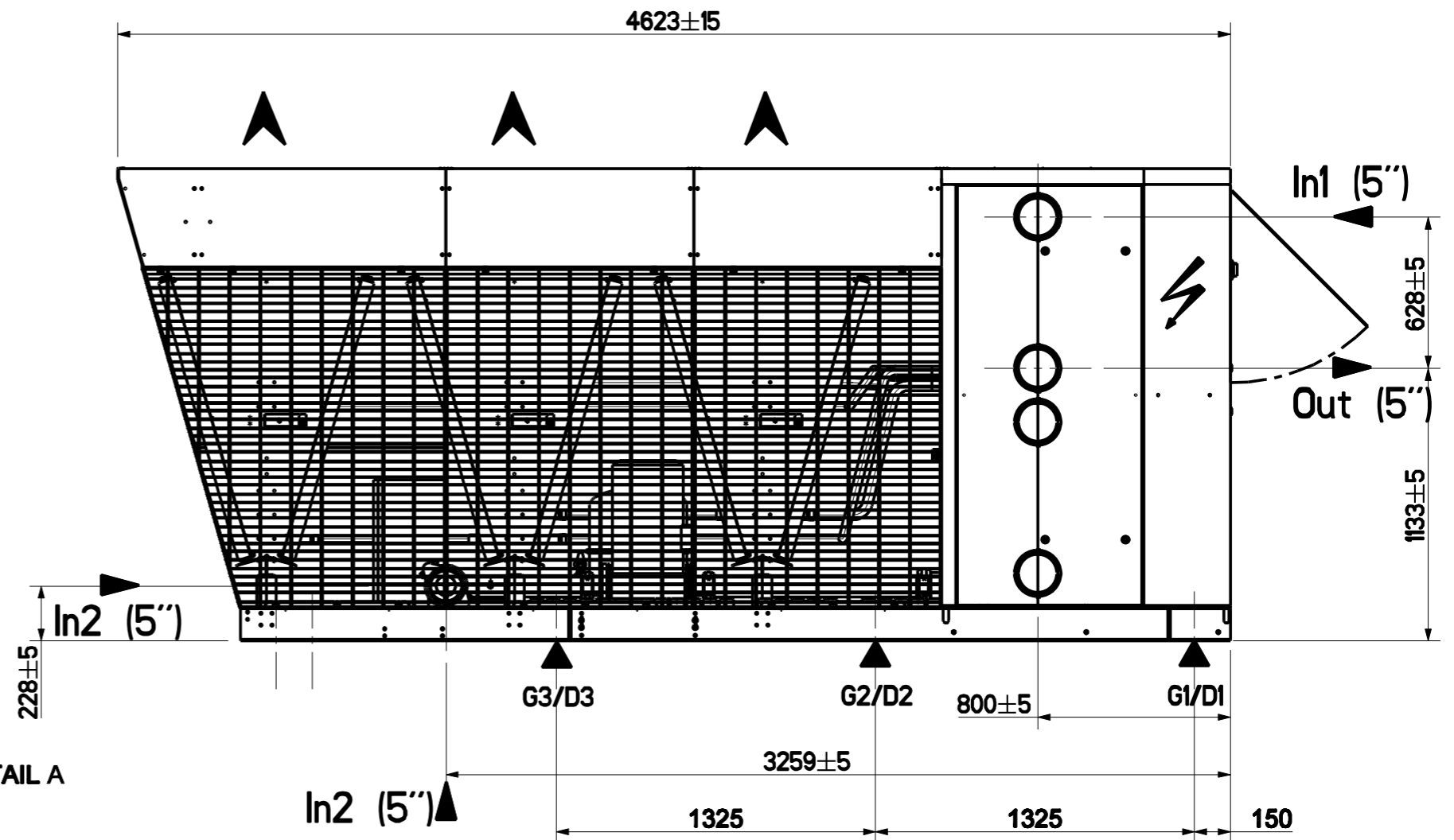
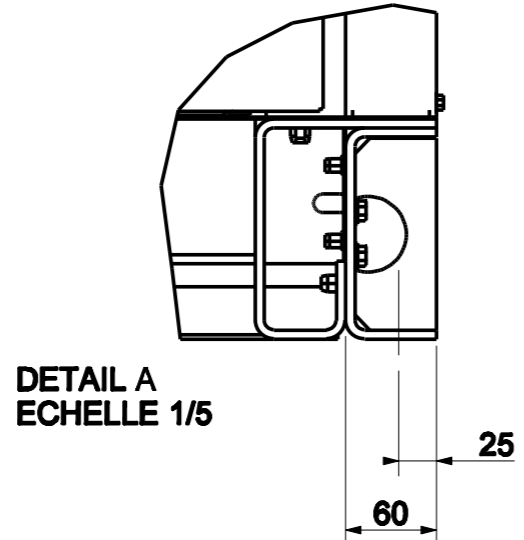


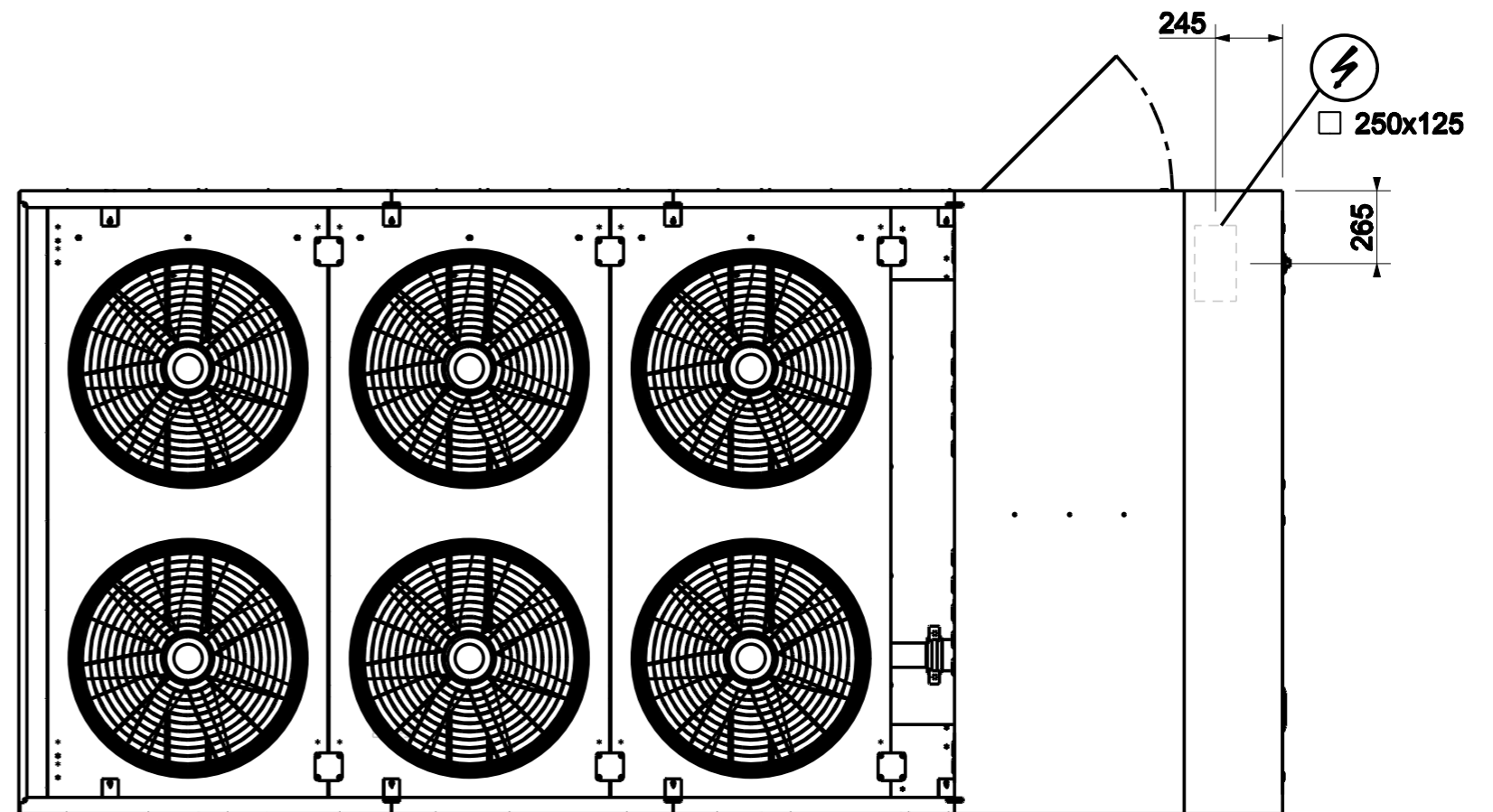
VOIR DETAIL A



| | A (mm) | B (mm) |
|----------|--------|--------|
| In 1 | 266 | - |
| In 2 | 281 | - |
| Out | - | 136 |
| Out (MH) | - | 122 |



DETAIL A
ECHELLE 1/5



NAC340DNM2M / NAC380DNM2M

BT - Le 10/03/09